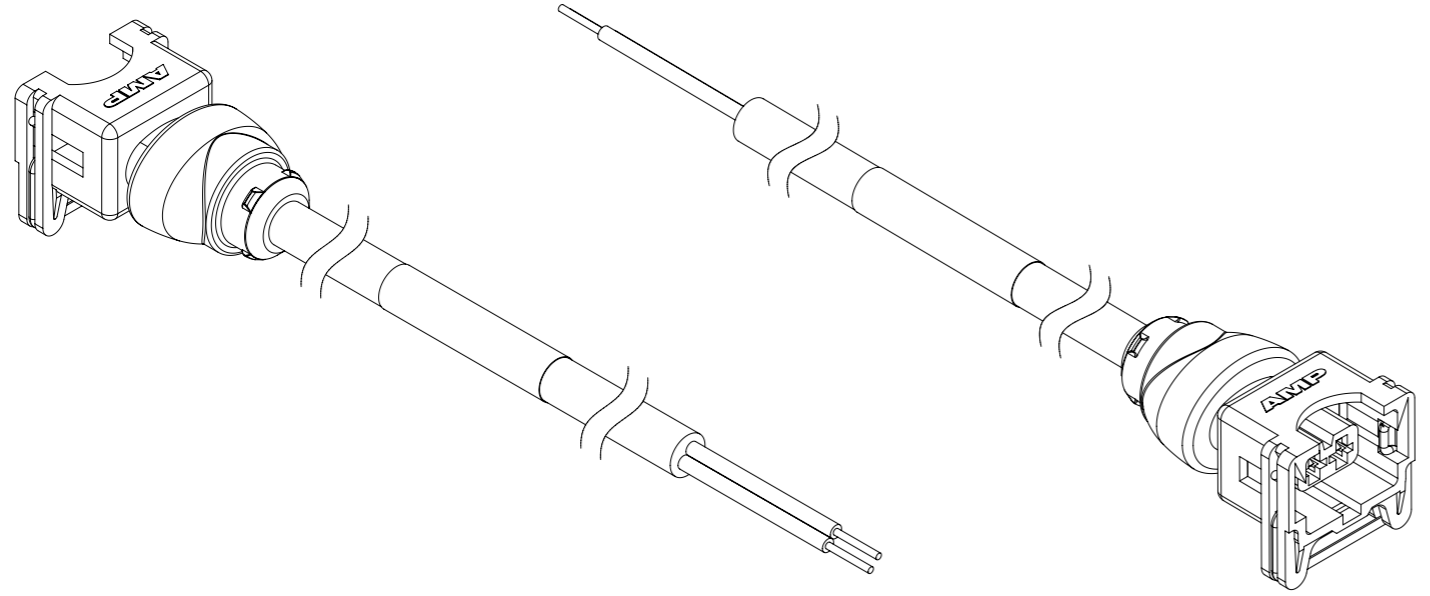
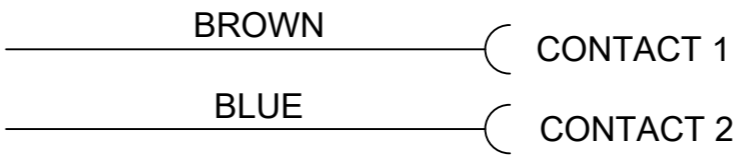


FRONT FACE VIEW

WIRING DIAGRAM



SCALE 1:1

NOTES:

1. ELECTRICAL DATA:  
 MAX. VOLTAGE RATING: 24V  
 MAX. CURRENT RATING: 0.5mm<sup>2</sup> - 2.5A / 0.75mm<sup>2</sup> - 3.75A / 1mm<sup>2</sup> - 5A
2. ENVIRONMENTAL:  
 TEMPERATURE: SEE CABLE SHEET 2  
 INTERNATIONAL PROTECTION RATING: IP67
3. PACKAGING: BULK PACKED IN CARTON BOX
4. FOR MORE INFORMATION SEE PRODUCT SPECIFICATION 1213080001 PS P00

ITEM	QTY.	DESCRIPTION	MATERIAL	FINISH
7	1	YELLOW LABEL	VINYL	---
6	L+T	CABLE	SEE SHEET 2	---
5	-	OVERMOLD MATERIAL	TPU	---
4	1	HOUSING	PA 6.6 GFV 30	---
3	1	SPRING	DIN 2076	---
2	1	SEALING	SILICONE	---
1	2	CONTACT FEMALE	PHOSPHOR BRONZE	TIN

<b>SYMBOLS</b> THIS DRAWING CONTAINS INFORMATION THAT IS PROPRIETARY TO MOLEX ELECTRONIC TECHNOLOGIES, LLC AND SHOULD NOT BE USED WITHOUT WRITTEN PERMISSION DIMENSION UNITS: mm SCALE: 2:1 GENERAL TOLERANCES (UNLESS SPECIFIED): ANGULAR TOL: ± ° 4 PLACES: ± 3 PLACES: ± 2 PLACES: ± 1 PLACE: ± 0 PLACES: ± DRAFT WHERE APPLICABLE MUST REMAIN WITHIN DIMENSIONS	CURRENT REV DESC: EC NO: 635611 DRWN: APAWLAK01 2020/04/09 CHK'D: RSILLER 2020/04/09 APPR: RSILLER 2020/04/09 INITIAL REVISION: DRWN: JMARSZALEK 2017/03/02 APPR: RSILLER 2017/05/18		 CSE JT SHORT OVM 2P FE STR XM SE PRODUCT CUSTOMER DRAWING		
	THIRD ANGLE PROJECTION: DRAWING: A3-SIZE SERIES: 121308				
	MATERIAL NUMBER: SEE SHEET 3 CUSTOMER: GENERAL MARKET		SHEET NUMBER: 1 OF 3		

ENGINEERING NO. - NUMERICAL CODE (Available parts see PART LIST table. Others on request).

J T 2 1 0 0 0 0 X X X X X - - - X X

JT=Junior Timer  
Small Overmold

Contacts:  
2=2 Contacts

0000=No connector

Cable Code:  
See Table with Cables

Length Examples:  
060=0.6m 1K0=10m  
100=1m 1K5=15m

No circuit  
(when customized 000)

Customization:  
-=no customization  
01=single bag MOLEX packaging

Gender & Cable entry:  
1=Straight, Female Contacts

CABLES INFORMATION (for more information see Cable Data Sheet).

CABLE CODE	NO. OF WIRES	CROSS SECTION	JACKET O.D.	CABLE JACKET	UL	CSA	STATIC: TEMP. / MIN. BENDING RADIUS	DYNAMIC: TEMP. / MIN. BENDING RADIUS	DRAG CHAIN: TEMP. / MIN. BENDING RADIUS
N2	2	0.5mm <sup>2</sup>	4.8mm	PVC BLACK	-	-	-20°C to +70°C, 3xO.D.	-15°C to +70°C, 5xO.D.	-
N3	2	0.75mm <sup>2</sup>	5.8mm	PVC BLACK	-	-	-20°C to +70°C, 3xO.D.	-15°C to +70°C, 5xO.D.	-
P2	2	0.5mm <sup>2</sup>	5.5mm	PUR BLACK	-	-	-40°C to +90°C, 7.5xO.D.	-15°C to +90°C, 12.5xO.D.	-
P3	2	0.75mm <sup>2</sup>	6.5mm	PUR BLACK	-	-	-40°C to +90°C, 7.5xO.D.	-15°C to +90°C, 12.5xO.D.	-
B2	2	20AWG	5.6mm	PUR BLACK	UL 20668 / UL1581	C22.2 II A 90°/300V	-40°C to +90°C, 5xO.D.	-15°C to +90°C, 10xO.D.	-
B3	2	18AWG	6.2mm	PUR BLACK	UL 20668 / UL1581	C22.2 I/II A/B 90°/300V	-40°C to +90°C, 5xO.D.	-15°C to +90°C, 10xO.D.	-
W2	2	0.5mm <sup>2</sup>	5.2mm	WSOR BLACK	UL 21215	CSA FT-1	-40°C to +90°C, 5xO.D.	-25°C to +80°C, 7.5xO.D.	-5°C to +60°C, 7.5xO.D.
W3	2	0.75mm <sup>2</sup>	6.0mm	WSOR BLACK	UL 21215	CSA FT-1	-40°C to +90°C, 5xO.D.	-25°C to +80°C, 7.5xO.D.	-5°C to +60°C, 7.5xO.D.
W4	2	1.0mm <sup>2</sup>	6.7mm	WSOR BLACK	UL 21215	CSA FT-1	-40°C to +90°C, 5xO.D.	-25°C to +80°C, 7.5xO.D.	-5°C to +60°C, 7.5xO.D.

CABLE LENGTH TOLERANCES

LENGTH	TOLERANCE
shorter than 1m	+40 mm
>1m-5m	+60 mm
>5m-10m	+80 mm
>10m-20m	+140 mm
>20m-30m	+160 mm
longer than 30m	+1% length

SYMBOLS	THIS DRAWING CONTAINS INFORMATION THAT IS PROPRIETARY TO MOLEX ELECTRONIC TECHNOLOGIES, LLC AND SHOULD NOT BE USED WITHOUT WRITTEN PERMISSION		CURRENT REV DESC:		<b>molex</b>
	▽ = 0	mm	SCALE	1:1	
	▽ = 0	GENERAL TOLERANCES (UNLESS SPECIFIED)			
	▽ = 0	ANGULAR TOL ± °			
▽ = 0	4 PLACES	±	EC NO: 635611		
▽ = 0	3 PLACES	±	DRWN: APAWLAK01	2020/04/09	
▽ = 0	2 PLACES	±	CHK'D: RSILLER	2020/04/09	
▽ = 0	1 PLACE	±	APPR: RSILLER	2020/04/09	
▽ = 0	0 PLACES	±	INITIAL REVISION:		
□ = 0	DRAFT WHERE APPLICABLE MUST REMAIN WITHIN DIMENSIONS		DRWN: JMARSZALEK	2017/03/02	
▽ = 0	THIRD ANGLE PROJECTION		APPR: RSILLER	2017/05/18	
DRAWING		SERIES	MATERIAL NUMBER	CUSTOMER	SHEET NUMBER
A3-SIZE		121308	SEE SHEET 3	GENERAL MARKET	
DOCUMENT STATUS		P1	RELEASE DATE	2020/04/09 14:16:12	

