



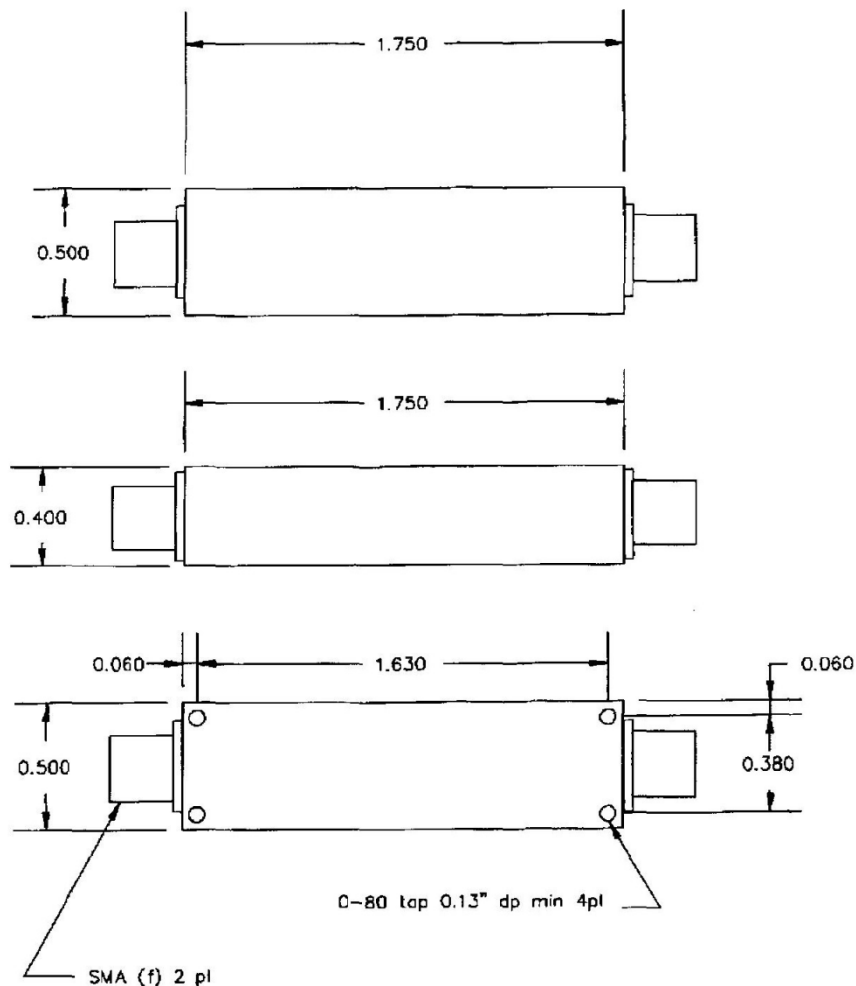
Electrical specifications

Center Frequency: 1250 MHz
Insertion Loss: <2 dB
Return Loss Passband: >15dB
Rejection: >55dB @ 0-750MHz
Rejection 2: >55dB @ 1.76-6GHz

Mechanical

Connector Type: SMA (F)
Dimensions: 1.75 x 0.5 x 0.4 inches

Outline Drawing:





Response Plot:

