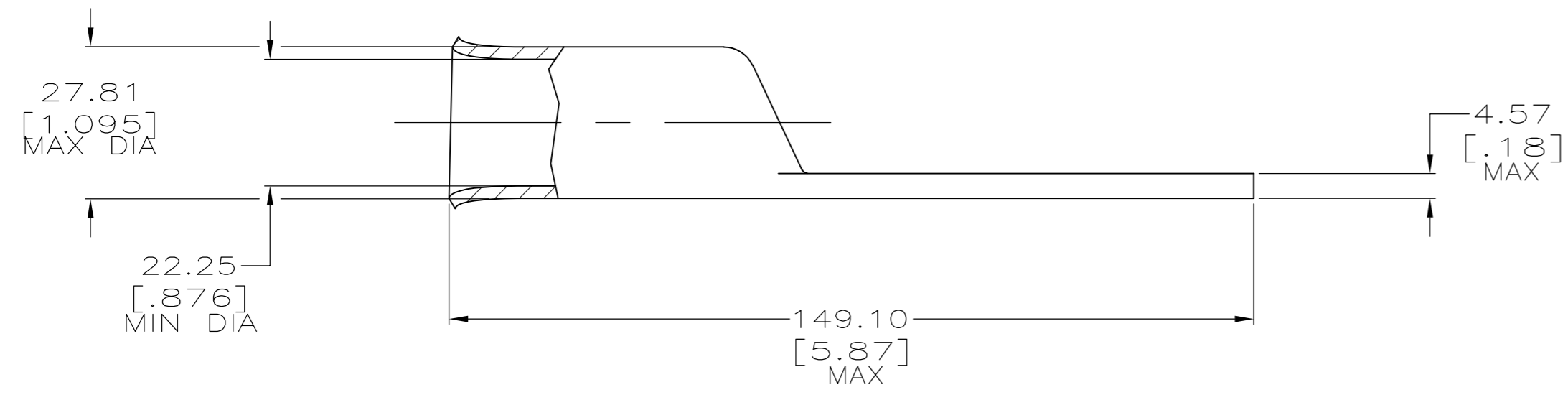
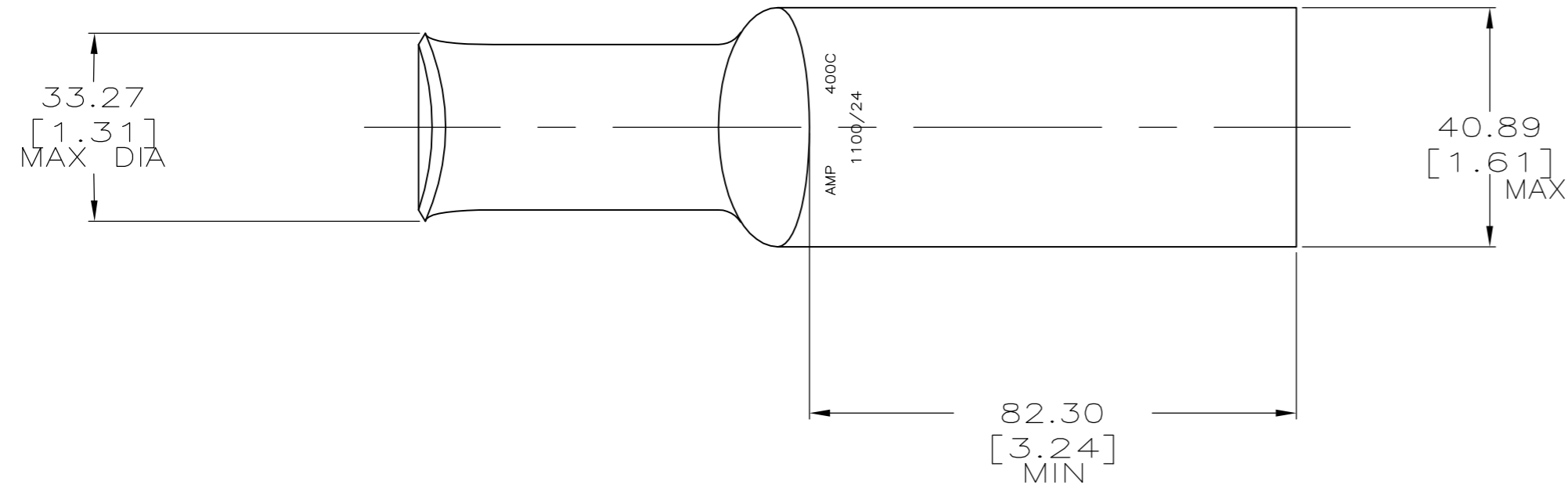


THIS DRAWING IS UNPUBLISHED. RELEASED FOR PUBLICATION
 © COPYRIGHT - By - ALL RIGHTS RESERVED.

REVISIONS				
P	LTR	DESCRIPTION	DATE	APVD
F		REV PER 0G3A-0098-03	05FEB03	JR MS
F1		ECR-16-012841	07SEP2016	KR MV

- 1 CIRCULAR MIL RANGE: 375-450 MCM
- 2 TIN PL 0.00381[.000150] MIN THK PER MIL-T-10727
- 3 CLEANED, UNPLATED



3	326021-2
2	326021
	PART NO.

THIS DRAWING IS A CONTROLLED DOCUMENT.		DWN DK_SCHRUM 02/28/90	TE TE Connectivity	
DIMENSIONS: INCHES		CHK MS_FEHER 23JAN95		
TOLERANCES UNLESS OTHERWISE SPECIFIED:		APVD MJ_SPICER 23JAN95	NAME	
0 PLC ± -		PRODUCT SPEC	108-30200	
1 PLC ± -		APPLICATION SPEC	-	
2 PLC ± 0.51[.020]		SIZE	CAGE CODE	DRAWING NO
3 PLC ± -		WEIGHT	A2 00779	C=326021
4 PLC ± -		MATERIAL ANNEALED COPPER	SCALE 1:1	SHEET 1 of 1
ANGLES ± -		FINISH -	RESTRICTED TO	REV F1
CUSTOMER DRAWING				

326021

A