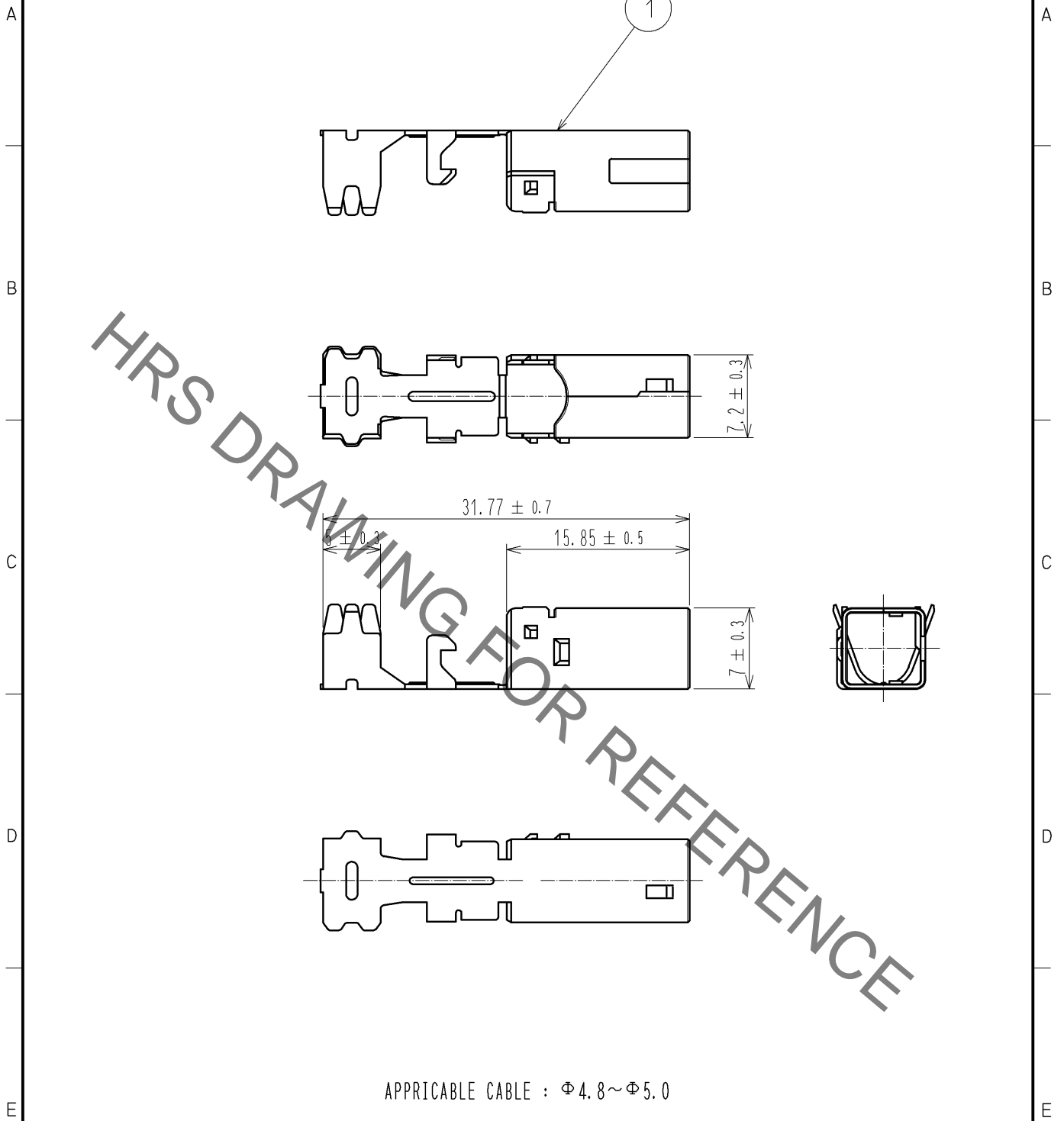


May.1.2023 Copyright 2023 HIROSE ELECTRIC CO., LTD. All Rights Reserved.
 In case of consideration for using Automotive equipment / device which demand high reliability, kindly contact our sales window correspondents.

ELV, RoHS COMPLIANT



APPLICABLE CABLE : $\Phi 4.8 \sim \Phi 5.0$

1	COPPER ALLOY	TIN PLATED						
NO.	MATERIAL	FINISH	REMARKS	NO.	MATERIAL	FINISH	REMARKS	
UNITS mm		SCALE 2 : 1	COUNT 	DESCRIPTION OF REVISIONS		DESIGNED	CHECKED	DATE
HRS HIROSE ELECTRIC CO., LTD.	APPROVED : NH. NAKATA	14. 03. 03		DRAWING NO.		EDC3-169329-00		
	CHECKED : TS. KUBOTA	14. 03. 03		PART NO.		GT17HNR-4DS-5CF		
	DESIGNED : MH. SHOUJI	14. 03. 03		CODE NO.		CL767-0292-3-00		
	DRAWN : MH. SHOUJI	14. 03. 03						1/1