

3602 / 3603 / 3604 Series

Mechanical Totalizing Counter



3602 dual shaft



3603 left-hand shaft



3604 right-hand shaft

This unit counts revolutions on many different types of production machinery. Robustly constructed for continuous operation at high speeds with the main shaft running in double oil impregnated bearings to ensure accurate, long term, trouble free service. It is supplied with a double or single drive with wing bushing and customer configurable left or right side reset.

Key Features

- 6-digit 6.4mm (0.25in) readout
- Up to 3000 counts per minute with 1:1 gear ratio
- 1:1, 1:10, 2:1, 3:1, 4:1 gearings as standard
- Front viewing
- Reset to zero
- Reset by lever
- Customer configurable reset position - either left or right
- Dual, left-hand or right-hand shaft options

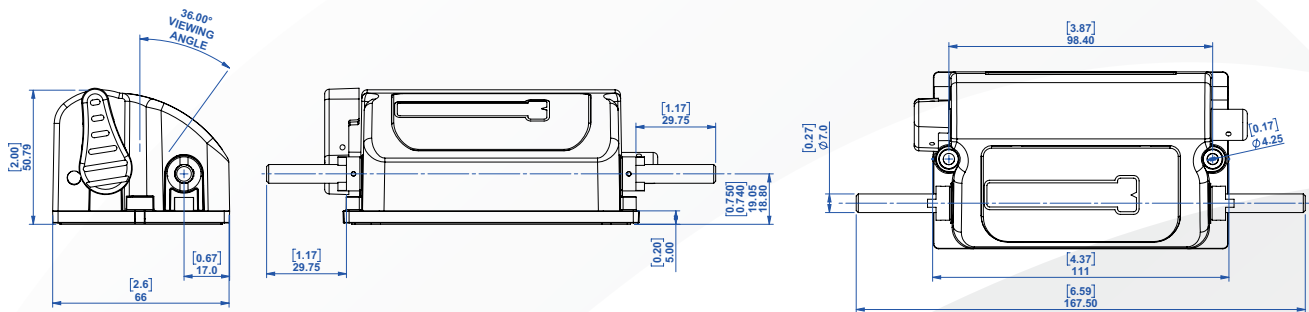
Specifications

Display	White on black, decimals black on white 6.4mm (0.25in) figures
Base Material	Black PC-ABS plastic
Cover Material	Grey ABS plastic
Drive Shaft Diameter	7mm (0.275 inch) diameter
Gearing	1:1, 1:10, 2:1, 3:1, 4:1 as standard. Others on application
Bearings	Bronze, oil impregnated for life
Operating Torque	180g.cm (2.5oz.in) at 1:1 gearing
Maximum Shaft Speed	3000 RPM
Maximum Count Speed	3000 CPM
Accuracy	+/- 1%
Operating Temp	-10°C to +50°C [14°F to 122°F]
Storage Temp	-20°C to +50°C [-4°F to 122°F]
Environmental Protection	IP40
Nett Weight	200g

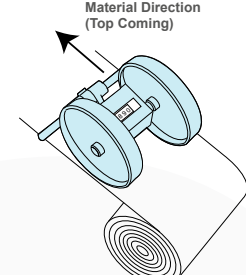
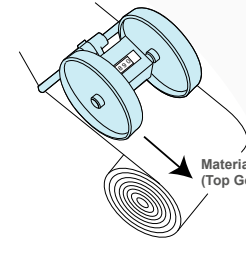
Measuring Wheel Ordering Information

Material	Width	12" circumference	18" circumference	1/3m circumference	1/2m circumference
Rubber Covered Plastic	3/4" (19mm)	007571	007573	007905	007574
Knurled Aluminum	3/4" (19mm)	001558	001622		

Dimensions



Part Number Ordering Chart

COUNTER TYPE	NUMBER OF DECIMAL PLACES	FIG WHEEL READING	GEAR RATIO	DRIVE DIRECTION	
3602- DUAL SHAFT	0 NO DECIMAL PLACES	0 FULL FIGURES (PLAIN)	0 1:10	TC TOP COMING  Material Direction (Top Coming)	
3603- LEFT-HAND SHAFT		1 0 - 11" FIG WHEEL (FEET & INCHES)	1 1:1		
3604- RIGHT-HAND SHAFT	1 ONE DECIMAL PLACE	2 0 - 9" FIG WHEEL (FEET & TENTHS)	2 2:1		
ALL COUNTERS ARE 6 DIGIT, FRONT VIEWING		3 0 - 9" FIG WHEEL (YARDS & TENTHS)	3 3:1		
RESET POSITION IS CUSTOMER CONFIGURABLE - LEFT OR RIGHT		4 FULL FIGURES (FEET)	4 4:1		
DRIVE SHAFT WITH WING BUSHINGS FITTED AS STANDARD		5 FULL FIGURES (YARDS)	5 1:25		
EXAMPLE OF CODING: 3602 - 117TG		6 FULL FIGURES (METRES)	6 10:1		
3602 = DUAL SHAFT		7 0 - 7/8" FIG WHEEL (YARDS & EIGHTHS)	7 2:3		
1 = ONE DECIMAL PLACE		8	8 128:105		
1 = 0-11" FIG WHEEL (FEET & INCHES)		9 0 - 9cm FIG WHEEL WITH 100 LINES(M/cm)	9 64:105		
7 = 2:3				TG TOP GOING  Material Direction (Top Going)	
TG = TOP GOING					
3602-117TG = 99999 - 11 / 2:3 / TOP GOING					



Trumeter (The Americas)
 6601 Lyons Rd, Suite H-7
 Coconut Creek, Florida
 FL 33073,
 USA
 Tel: +1 954 725 6699
 Email: sales.usa@trumeter.com

Trumeter (Europe)
 Pilot Mill
 Alfred Street
 Bury,
 BL9 9JR
 Tel: +44 161 674 0960
 Email: sales.uk@trumeter.com

Innovative Design Technologies Sdn. Bhd
 Lot 5881, Lorong lks Bukit Minyak 1
 Taman Perindustrian lks, 14000 Bukit Tengah
 Penang, Malaysia
 Web: www.idtworld.com
 Tel: + 604 5015700
 Email: sales.my@idtworld.com