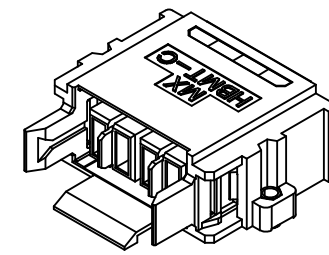
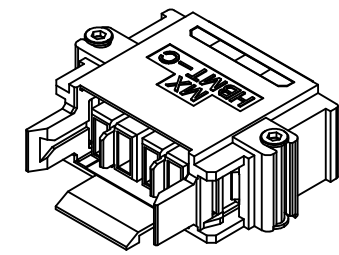


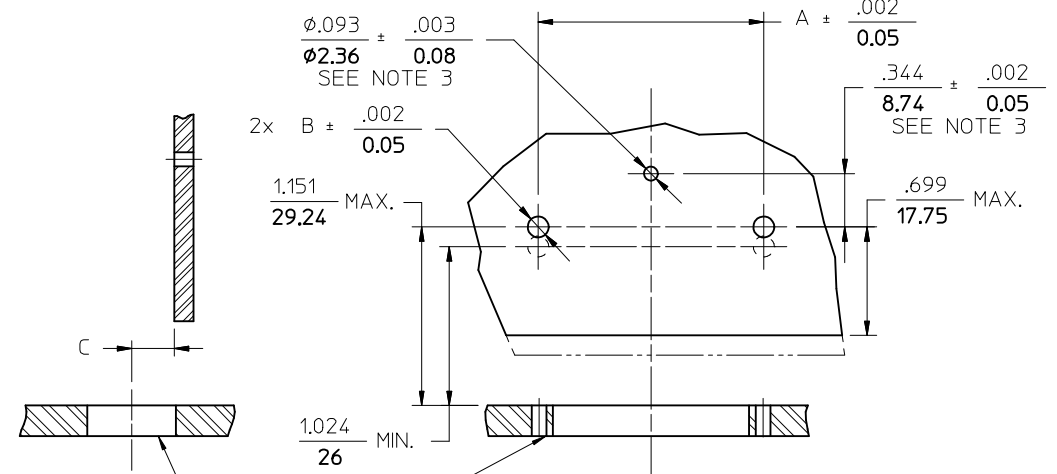
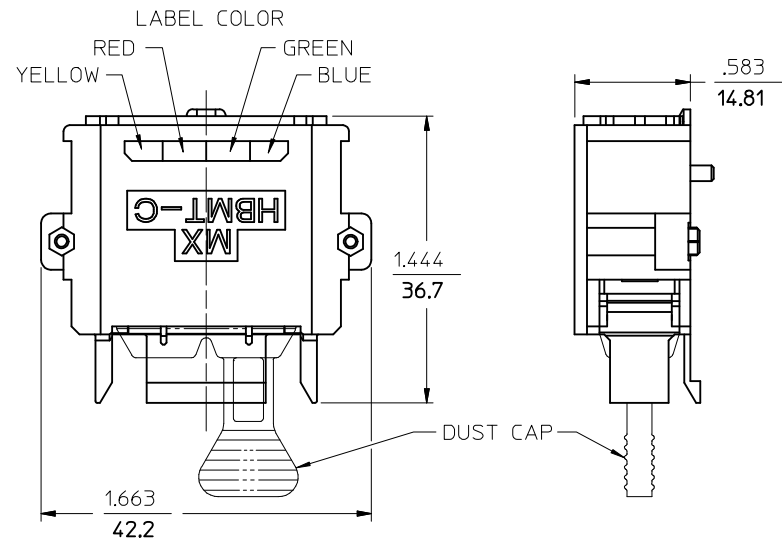
10	9	8	7	6	5	4	3	2	1
CONNECTOR P/N	FLOAT	A	B	C	MATES WITH BACKPLANE ADAPTER P/N				
106105-1100	NO	1.457 (37)	.135 (3.43)	.275 (6.98)	106105-1000, 106105-1001				
106105-2100	YES	1.497 (38)	.090 (2.29)	.295 (7.49)	106105-2000				



ISOMETRIC VIEW
P/N 106105-1100 WITHOUT FLOAT



ISOMETRIC VIEW
P/N 106105-2100 WITH FLOAT

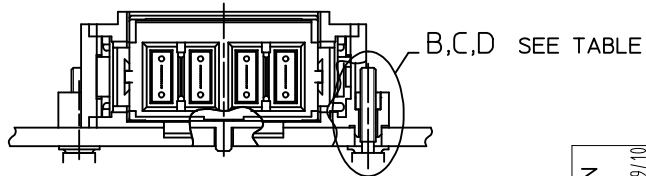
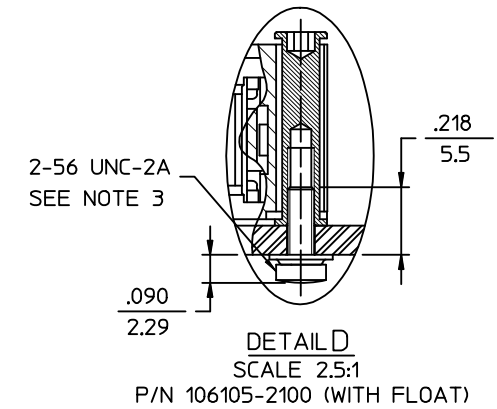
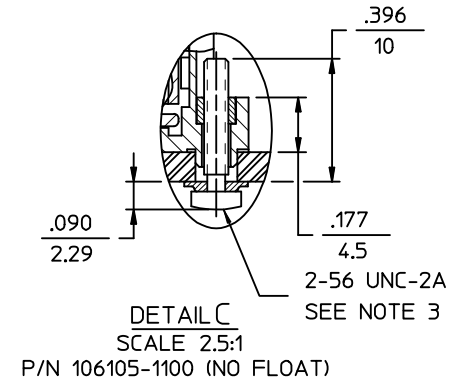
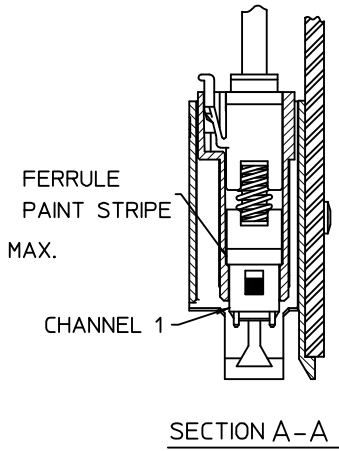
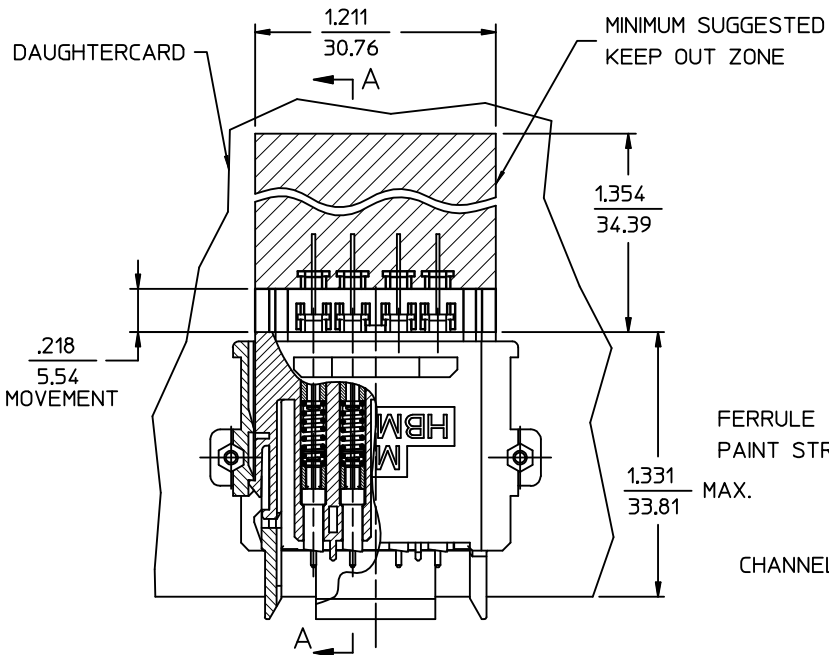


BACKPLANE RECOMMENDED MOUNTING PATTERN
SCALE 1.25:1

- NOTES:
- RIVETS NOT INCLUDED WITH CONNECTOR.
 - SCREWS ARE INCLUDED WITH CONNECTOR AND ARE INSTALLED BY USER. RECOMMENDED TORQUE: 2.5 TO 4 IN.LBS (0.28 TO 0.45 N.m) DEPENDING ON SUBSTRATE MATERIAL AND SCREW TYPE. USER IS ENCOURAGED TO DETERMINE THE PROPER TORQUE TO USE BY TRIAL (SEE MACHINERY'S HANDBOOK FOR PROCEDURE).
 - CENTER LOCATOR HOLE AND PEG NOT USED ON P/N 106105-2100

ENTER DESCRIPTION EC NO: MF2015-0125 DRN: MGHAYERE 2014/09/10 CHKD: WCHEN APPR: WCHEN 2014/12/09 A3	QUALITY SYMBOLS $\nabla = 0$ $\nabla = 0$ $\nabla = 0$	GENERAL TOLERANCES (UNLESS SPECIFIED)		DIMENSION STYLE IN/MM		SCALE	DESIGN UNITS INCH	THIRD ANGLE PROJECTION		
		mm	INCH	DRAWN BY PGI BLN	DATE 2005/10/31	HBMT DAUGHTERCARD CONNECTOR				
		4 PLACES ± --- ± ---	3 PLACES ± --- ± ---	2 PLACES ± --- ± ---	1 PLACE ± --- ± ---					
		ANGULAR $\pm 1/2^\circ$		MATERIAL NO.		DOCUMENT NO.		SHEET NO.		
DRAFT WHERE APPLICABLE MUST REMAIN WITHIN DIMENSIONS				SEE TABLE		SD-106105-1100		1 OF 2		

THIS DRAWING CONTAINS INFORMATION THAT IS PROPRIETARY TO MOLEX INCORPORATED AND SHOULD NOT BE USED WITHOUT WRITTEN PERMISSION



ENTER DESCRIPTION EC NO: MF2015-0125 DRAWN: MGHAYERE 2014/09/10 CHKD: APPR: WCHEN 2014/12/09 REV: A3	QUALITY SYMBOLS ▽=0 ▽=0	GENERAL TOLERANCES (UNLESS SPECIFIED) <table border="1"> <thead> <tr> <th></th> <th>mm</th> <th>INCH</th> </tr> </thead> <tbody> <tr> <td>4 PLACES</td> <td>± ---</td> <td>± ---</td> </tr> <tr> <td>3 PLACES</td> <td>± ---</td> <td>± ---</td> </tr> <tr> <td>2 PLACES</td> <td>± ---</td> <td>± ---</td> </tr> <tr> <td>1 PLACE</td> <td>± ---</td> <td>± ---</td> </tr> <tr> <td>0 PLACE</td> <td>±</td> <td>±</td> </tr> </tbody> </table>		mm	INCH	4 PLACES	± ---	± ---	3 PLACES	± ---	± ---	2 PLACES	± ---	± ---	1 PLACE	± ---	± ---	0 PLACE	±	±	DIMENSION STYLE IN/MM DRAWN BY: PGIBL IN DATE: 2005/10/31 CHECKED BY: DATE: APPROVED BY: DATE: 2014/12/09	SCALE: 2.5:1 DESIGN UNITS: INCH THIRD ANGLE PROJECTION	TITLE: HBMT DAUGHTERCARD CONNECTOR
		mm	INCH																				
	4 PLACES	± ---	± ---																				
	3 PLACES	± ---	± ---																				
	2 PLACES	± ---	± ---																				
1 PLACE	± ---	± ---																					
0 PLACE	±	±																					
ANGULAR ±1/2° DRAFT WHERE APPLICABLE MUST REMAIN WITHIN DIMENSIONS		MATERIAL NO. SEE TABLE SIZE B	DOCUMENT NO. SD-106105-1100	SHEET NO. 2 OF 2																			
molex																							
THIS DRAWING CONTAINS INFORMATION THAT IS PROPRIETARY TO MOLEX INCORPORATED AND SHOULD NOT BE USED WITHOUT WRITTEN PERMISSION																							