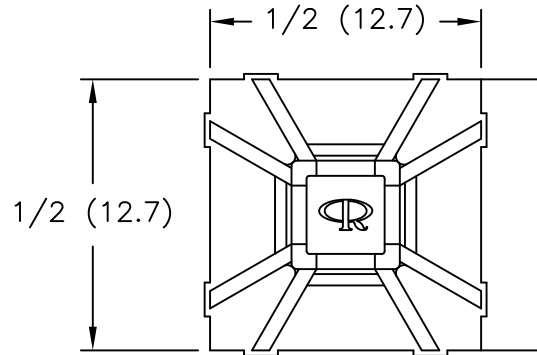
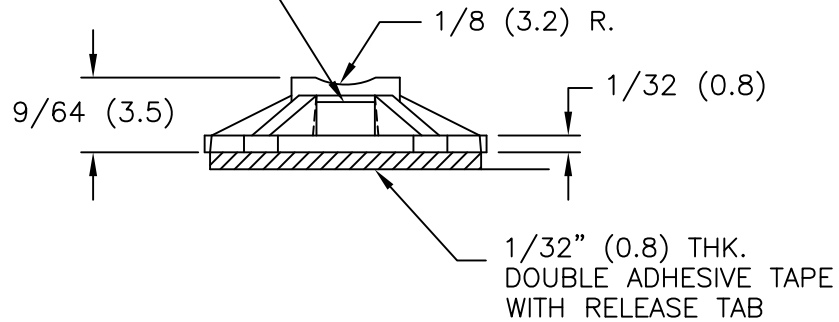


PART NUMBER	MATERIAL	COLOR	ADHESIVE
MFTH-2-01A-RT	UL94V-2 NYLON 6/6 (RMS-01)	NATURAL	ACRYLIC TAPE (RMS-15), WHITE LINER
MFTH-2-01A1			RUBBER TAPE (RMS-102), BLUE LINER
MFTH-2-01*			NONE - NO TAPE
MFTH-2-19A-RT*	UL94V-0 NYLON 6/6 (RMS-19)	NATURAL	ACRYLIC TAPE (RMS-15), WHITE LINER
MFTH-2-19A1*			RUBBER TAPE (RMS-102), BLUE LINER
MFTH-2-19*			NONE - NO TAPE
MFTH-2A-RT-UVB*	UL94V-2 UV WEATHER RESISTANT NYLON 6/6 (RMS-46)	BLACK	ACRYLIC TAPE (RMS-15), WHITE LINER
MFTH-2A1-RT-UVB*			RUBBER TAPE (RMS-102), BLUE LINER
MFTH-2-UVB*			NONE - NO TAPE

*AVAILABLE BY SPECIAL ORDER ONLY



ACCOMMODATES WIT-18 AND QTE-18 TIES



G	DELETED NOTES-ADD P/N TO TABLE,ECN#1446	DZ 02.11.19	TITLE: MINI-FLAT TIE HOLDER						DWG IN IN (MM)		
F	SEE CO 200773 FOR CHANGES	SK 04.30.12									
E	SEE ECN #1124 FOR CHANGES	SK 01.24.06	TOLERANCES UNLESS NOTED	FILE # MFTH-2	DWN: P.B.	APP:	FINAL				
D	ADDED RUBBER TAPE TO UV MAT'L NOTE	SM 12.13.01	.XX=±.010	MAT'L: SEE TABLE	DT: 10-19-94	DT:	PART #				
C	COMPLETELY RE-DRAWN & CHANGED FILE#	SM 10.18.01	.XXX=±.005	RE: -	ESSENTRA COMPONENTS		SEE TABLE				
B	RUBBER TAPE (RMS-102) ADDED	JL 8.22.00	FRAC=±1/64					PRINT TYPE			
A	MAT'L AND CABLE TIE NOTES UPDATED	J.L. 01.10.00	ANG=±1°					CA			
REV	DESCRIPTION	ENGR DATE									