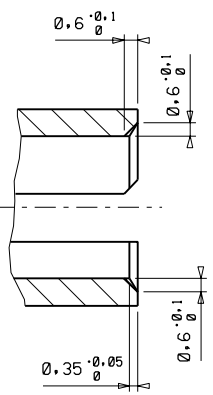
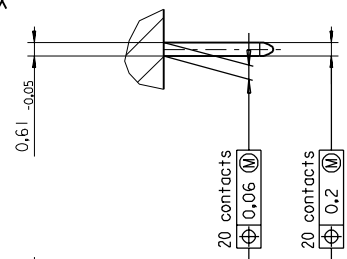


PART NO.  
DWG. NO.

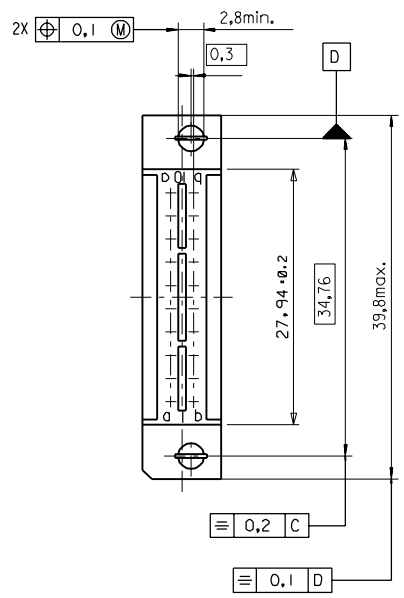
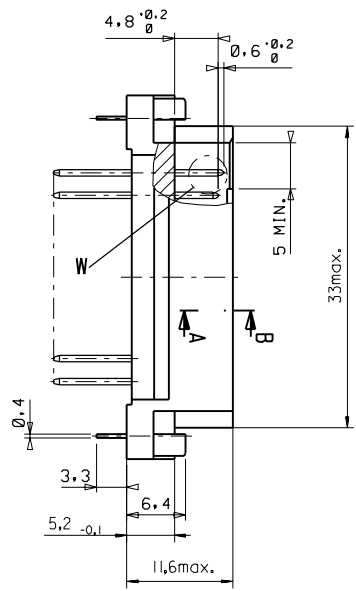
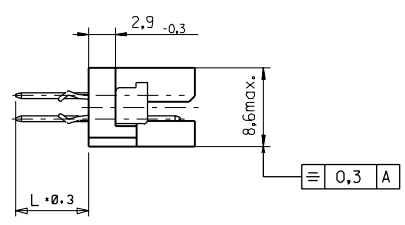
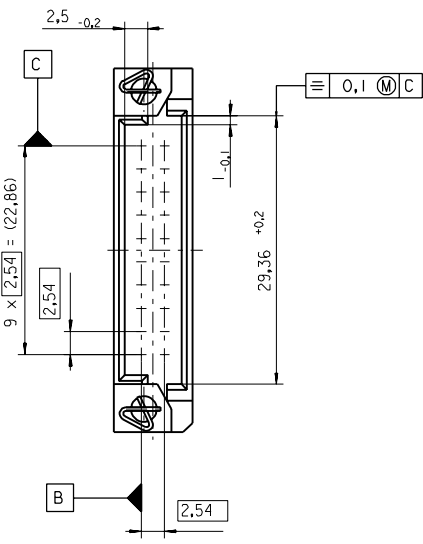
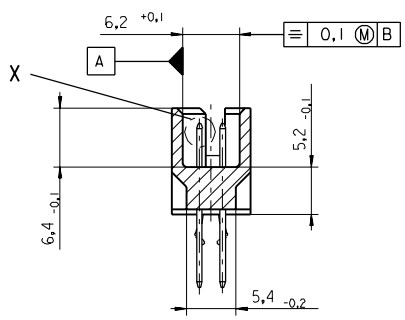
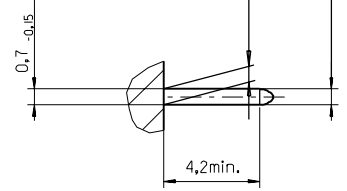
Section A - B  
5:1



View X  
5:1



View W  
5:1



FIRST ANGLE PROJECTION REVISE ONLY ON CAD SYSTEM SH. REV.

first release see ECN No. 1887	REVISIONS FOR PREVIOUS REVISIONS SEE MRI LIST	UNLESS OTHERWISE SPECIFIED TOLERANCES: ANGULAR ±2°	DRWG BY	SIGN	CAD/CAM PROJECT NAME	THIS DRAWING CONTAINS INFORMATION THAT IS PROPRIETARY TO MOLEX INC. & SHOULD NOT BE USED WITHOUT WRITTEN PERMISSION
		INCH METRIC	Ca		8501000 611	
	3 PLACE ± . ±		CHK'D BY	SIGN	TITLE	
	2 PLACE ± . ±		KN		20 pos. Male connector acc. DIN 41612 style Q/3 Dimensions	
	1 PLACE ± . ±		APP'D BY	SIGN	SHEET NO. DATE	
	DRAFT WHERE APPLICABLE MUST REMAIN WITHIN DIMENSIONS				1 OF 95/06/08	
	DESIGN DIMENSION <input checked="" type="checkbox"/> MM <input type="checkbox"/> IN.		SCALE		PART NO. DWG NO. SIZE	
	EQUIVALENT DIMENSION <input type="checkbox"/> MM <input type="checkbox"/> IN.		2:1		SDA-85011-0001 B	
	IF TWO DIMENSIONS ARE SHOWN THE UPPER IS THE DESIGN DIMENSION, LOWER IS SECONDARY					

View on mating side

△	A	A	A	A	A	A	A	A	A
○	A	A	A	A	A	A	A	A	A

▽ ◀ ▶ ↻ ↺ ↻ ↺ ↻ ↺

A = 20 standard contacts L=4,5

Marking	Standard
Performance level	G1/0 = Contact area perform. level I / Termination tin
Flux proof	no
Fixing clip	no
Dimensions	SDA-85011-0001 sht.1
Technical Data	PS-85013-0001

A	G1/0	a1-10	b1-10
Contact symbol	Perform. level	Contact position number	

see ECN No. 2204 96/07/18 cd	REVISIONS		FOR PREVIOUS REVISIONS SEE MRI LIST	
	LTR			
UNLESS OTHERWISE SPECIFIED TOLERANCES: ANGULAR ± 2° INCH METRIC 3 PLACE ± .                    ± 2 PLACE ± .                    ± 1 PLACE ± .                    ± DRAFT WHERE APPLICABLE MUST REMAIN WITHIN DIMENSIONS DESIGN DIMENSION <input type="checkbox"/> MM <input type="checkbox"/> IN. EQUIVALENT DIMENSION <input type="checkbox"/> MM <input type="checkbox"/> IN. IF TWO DIMENSIONS ARE SHOWN THE UPPER IS THE DESIGN DIMENSION, LOWER IS SECONDARY	DRWG BY	Cd	SIGN	
	CHK'D BY	KN	SIGN	
	APP'D BY		SIGN	
SCALE				
REVISE ONLY ON CAD SYSTEM		CAD/CAM PROJECT NAME	THIS DRAWING CONTAINS INFORMATION THAT IS PROPRIETARY TO MOLEX, INC. & SHOULD NOT BE USED WITHOUT WRITTEN PERMISSION	
REV. SH.		SHEET NO.		DATE
TITLE		20 pos. Male connector acc. DIN 41612 style Q/3 contacts arrangement		
PART NO.		MOLEX EUROPE		SDA-85011-0103
DWG NO.		85011-0103		SDA-85011-0103
SIZE		1 OF 1		95/06/08