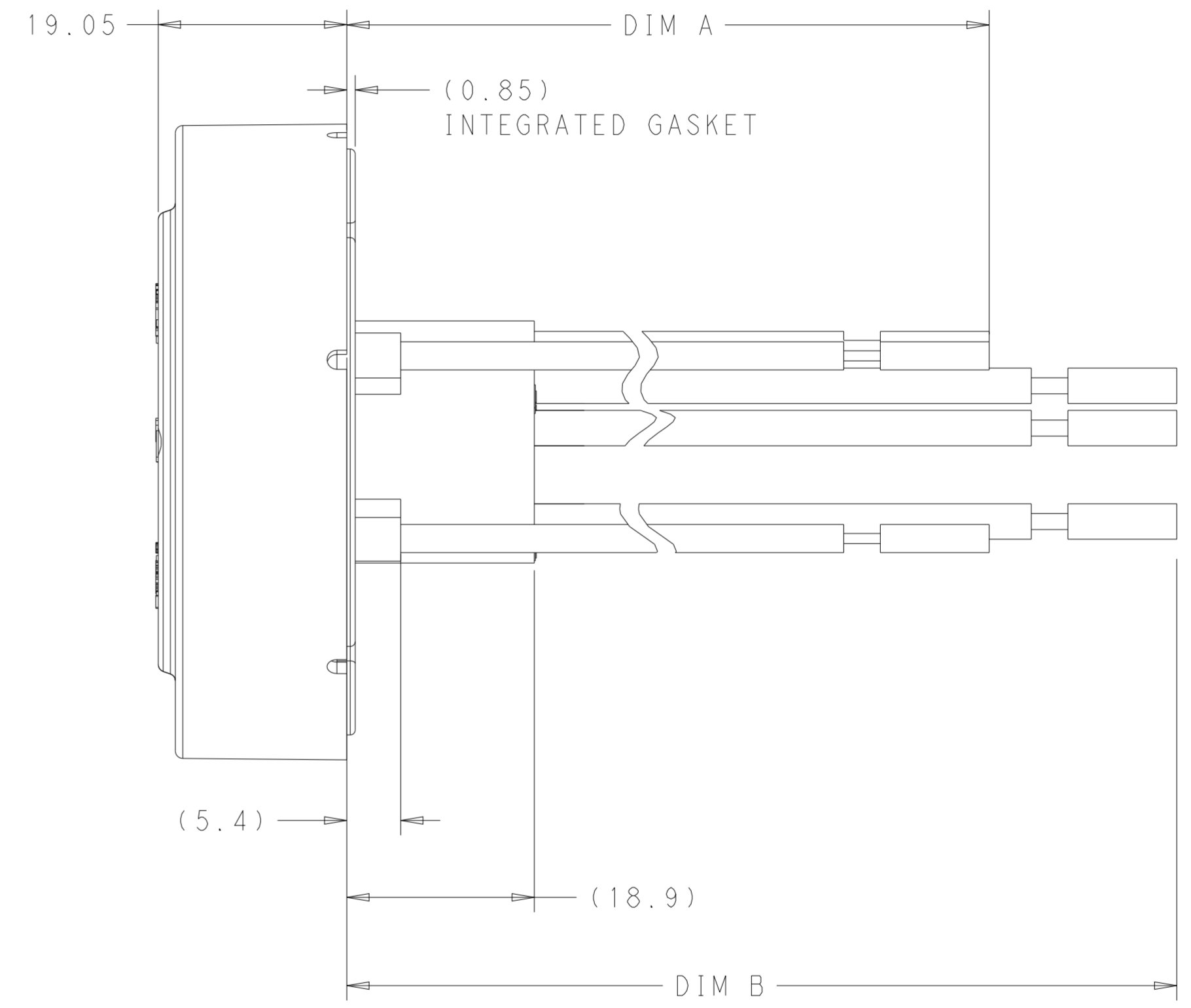
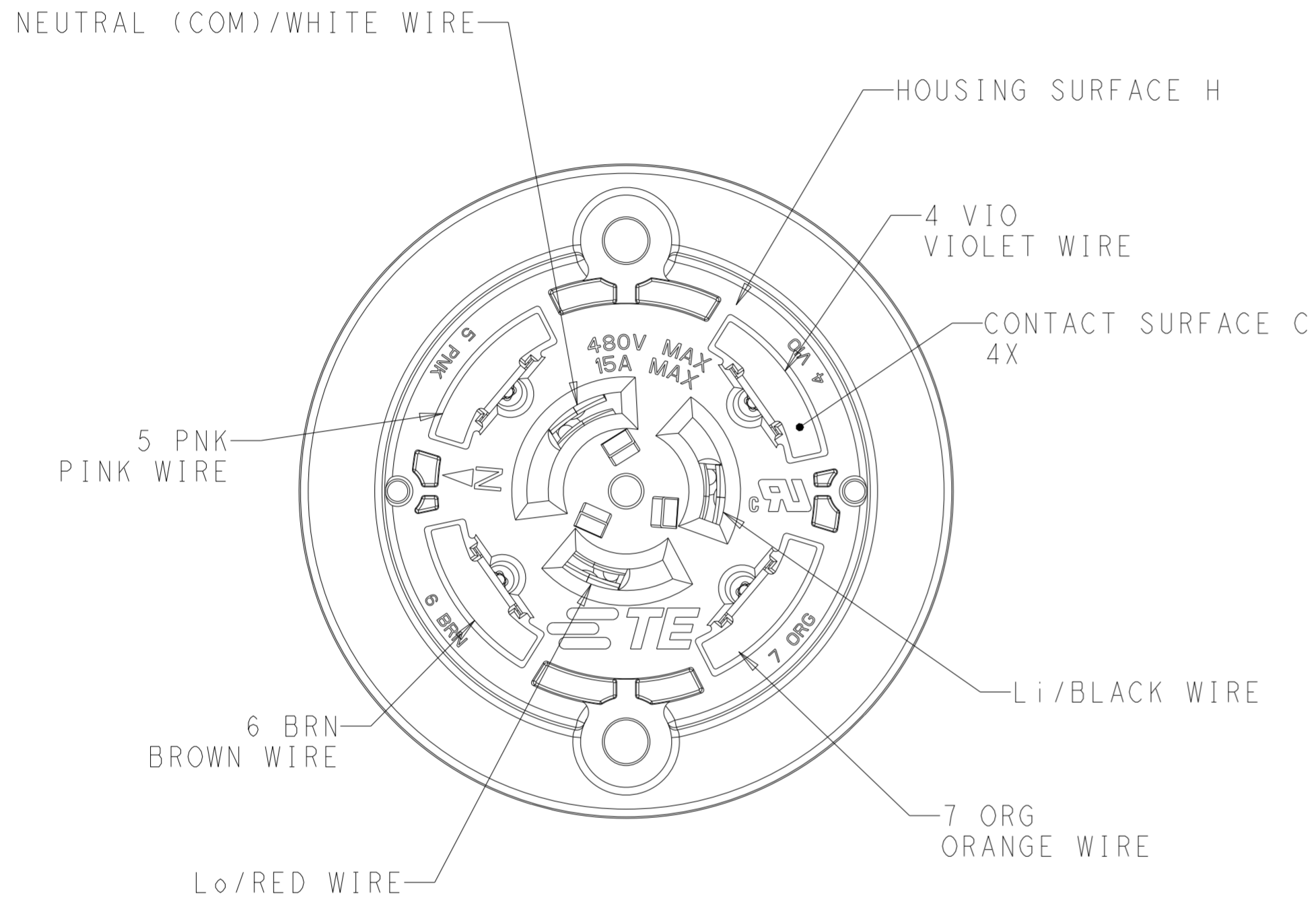




P	LTR	DESCRIPTION	DATE	DWN	APVD
-	-	SEE SHEET 1	-	-	-



2376865-X  
ASSEMBLED VIEW  
SCALE 2:1

THIS DRAWING IS A CONTROLLED DOCUMENT.		DWN C. DAILY 03MAY2021	TE Connectivity	
		CHK M. MOSTOLLER 03MAY2021		
DIMENSIONS: mm		APVD	NAME RECEPTACLE ASSEMBLY, LUMAWISE ENDURANCE N WITH INTEGRATED GASKET	
TOLERANCES UNLESS OTHERWISE SPECIFIED: 0 PLC ± 1 PLC ±0.2 2 PLC ±0.13 3 PLC ± 4 PLC ± ANGLES ±2° FINISH		PRODUCT SPEC 108-160322	RESTRICTED TO	
MATERIAL		APPLICATION SPEC 114-160166	SIZE A2	CAGE CODE 00779
		WEIGHT	DRAWING NO C-2376865	
		CUSTOMER DRAWING	SCALE 1:2	SHEET 2 OF 2
			REV A9	