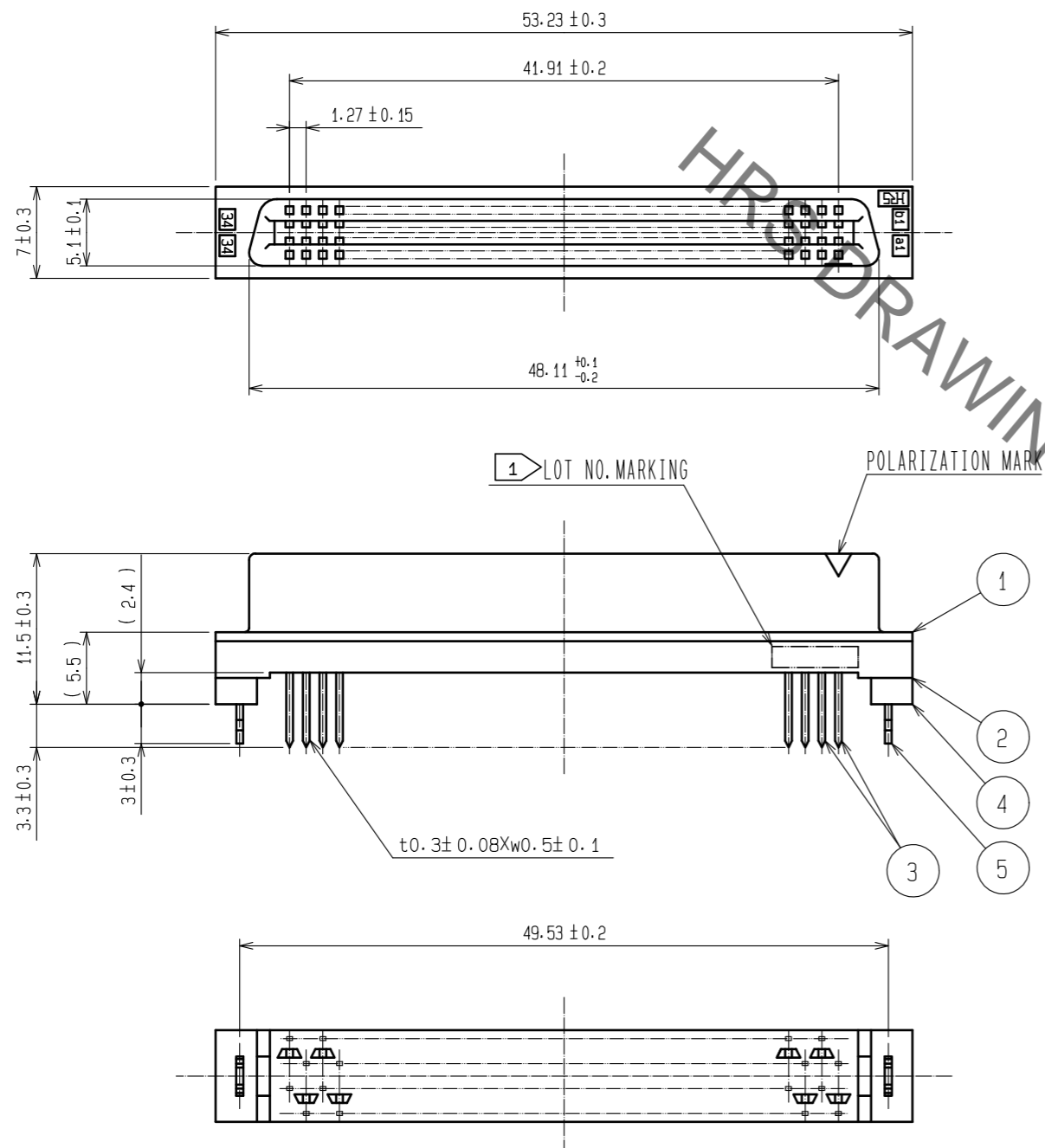
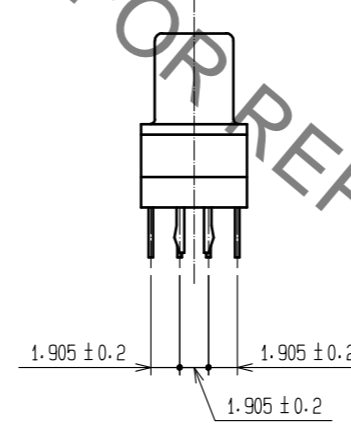
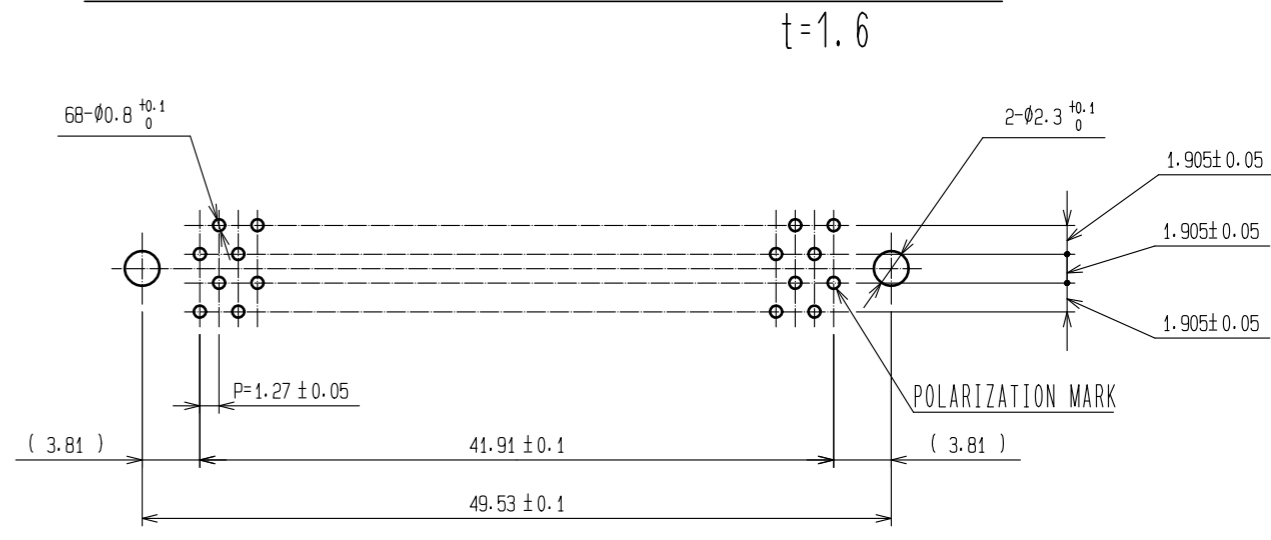


May.1.2023 Copyright 2023 HIROSE ELECTRIC CO., LTD. All Rights Reserved.
In case of consideration for using Automotive equipment / device which demand high reliability, kindly contact our sales window correspondents.



RECOMMENDED PC BOARD HOLE PATTERN (MOUNTING SIDE)



- NOTES
- LOT NO. MARKING SIDE SHALL BE OPTIONAL.
 - THE DIMENSIONS IN PARENTHESES ARE FOR REFERENCE.

5	PHOSPHOR BRONZE	TIN-PLATING	3	PHOSPHOR BRONZE	CONTACT AREA : GOLD 0.2 μm min. DIP AREA : TIN-PLATING 2 μm min. UNDER PLATING : NICKEL 2 μm min.		
1, 2, 4	POLYAMIDE	BLACK ▲					
NO.	MATERIAL	FINISH . REMARKS	NO.	MATERIAL	FINISH . REMARKS		
UNITS mm	⊕	SCALE 2 : 1	COUNT ▲ 1	DESCRIPTION OF REVISIONS DIS-F-00015309	DESIGNED YU. NAKADA	CHECKED HT. YAMAGUCHI	DATE 20220914
APPROVED : HS. OKAWA		20070822		DRAWING NO. EDC-083224-71-21			
CHECED : HS. OZAWA		20070822		PART NO. FX2C2-68S-1.27DSAL(71)			
DESIGNED : KY. NAKAMURA		20070822		CODE NO. CL0572-2476-6-71			
DRAWN : TP. MATSUMOTO		20070810					