

THIS DRAWING IS UNPUBLISHED.

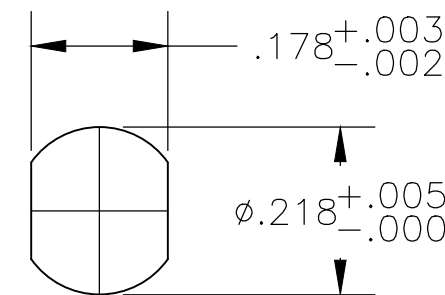
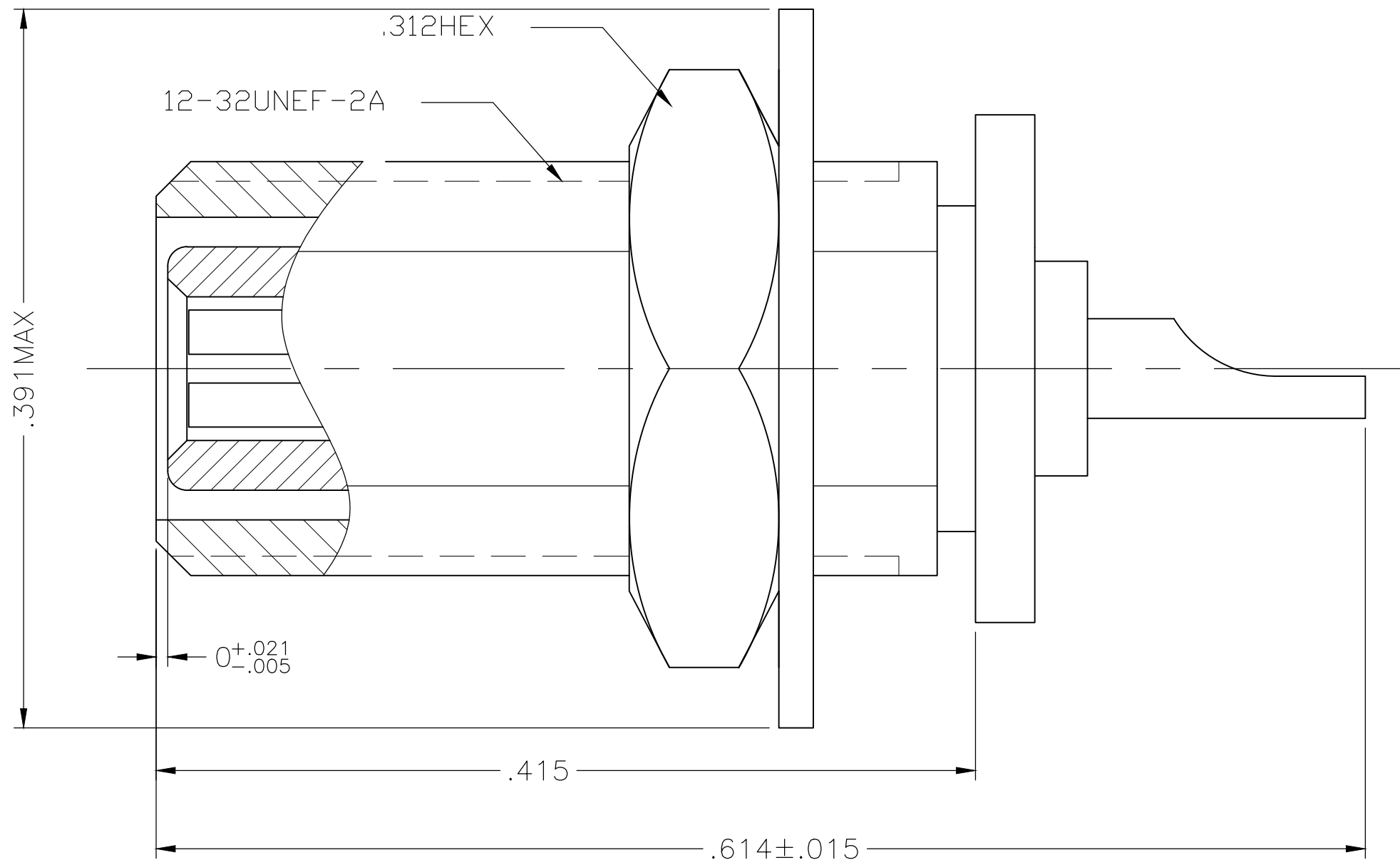
RELEASED FOR PUBLICATION

REVISIONS

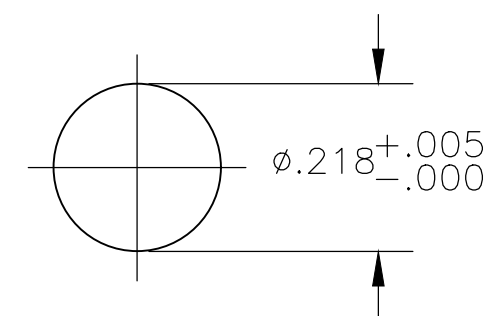
© COPYRIGHT - TE Connectivity Ltd.

ALL RIGHTS RESERVED.

P	LTR	DESCRIPTION	DATE	DWN	APVD
	J1	ECO-18-017129	30OCT2018	RZ	RS



SUGGESTED PANEL CUTOUT FOR 329852(NO DASH No.) AND 5-0 ASSYS



SUGGESTED PANEL CUTOUT FOR -2 ASSY

5-328691-0	5-328690-0	5-330308-0	5-329852-0
1-328691-2	1-328690-2	222073-1	329852-2
328691	328690	330308	329852
③ WASHER LOCK QTY = 1	② NUT JAM QTY = 1	① SOLDER RCPT ASSY QTY = 1	PART NO

- PARTS PACKAGED UNASSEMBLED
- SEE I.S. 1771
- FOR USE WITH 22 AWG MAX CABLE
- .125 MAX PANEL THICKNESS
- WEIGHT = .062 OZ

THIS DRAWING IS A CONTROLLED DOCUMENT.		DWN M. O'BRINE 26JAN01	STE TE Connectivity		
DIMENSIONS: INCHES		CHK T. ALLEN 26JAN01			
TOLERANCES UNLESS OTHERWISE SPECIFIED:		APVD T. ALLEN 26JAN01	NAME CONNECTOR, COAXIAL, RF RCPT, SOLDER SERIES, MINIATURE THD		
0 PLC ± -		PRODUCT SPEC 108-12013	SIZE A3		
1 PLC ± -		APPLICATION SPEC	CAGE CODE 00779	DRAWING NO C-329852	RESTRICTED TO
2 PLC ± -		—	—		
3 PLC ± .016		WEIGHT 0.000000	SCALE 1:1		
4 PLC ± -		CUSTOMER DRAWING	SHEET 1 OF 1		
ANGLES ± -		REV J1			
FINISH					