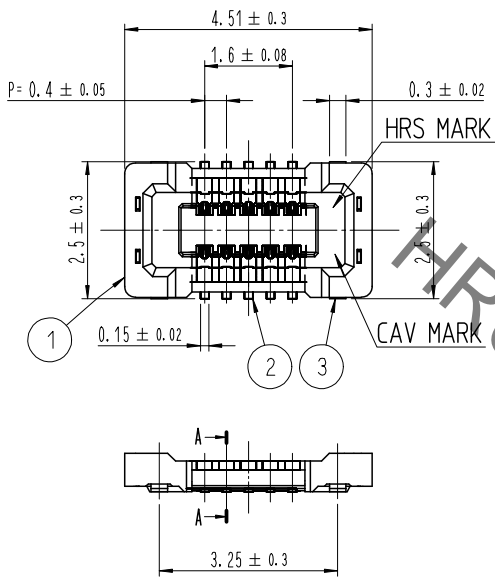
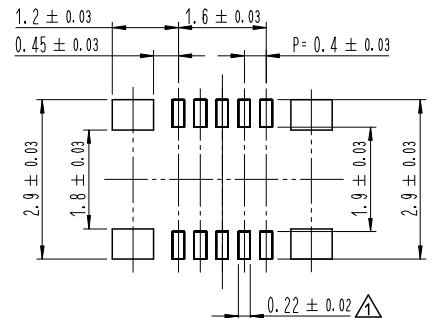


May.1.2023 Copyright 2023 HIROSE ELECTRIC CO., LTD. All Rights Reserved.  
 use of consideration for using Automotive equipment /service which demand high reliability, kindly contact our sales window correspond



4 RECOMMENDED PATTERN

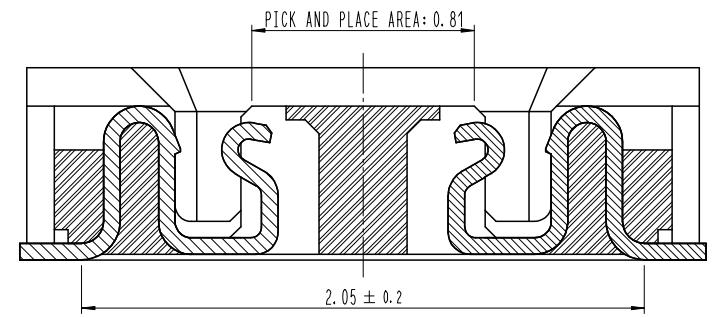


4 RECOMMENDED SOLDER PASTE: THICKNESS 100 μm

- NOTE
- 1. ALL LEAD CO-PLANARITY SHALL BE 0.08mm MAX.
  - 2. CONTACT PLATING SPECIFICATIONS.  
 CONTACT AREA : GOLD 0.05 μm MIN.  
 SMT LEAD : GOLD 0.05 μm MIN.  
 UNDER PLATING : NICKEL 1 μm MIN.  
 ( SURFACE : SEALING )
  - 3. METAL HOLD DOWN PLATING SPECIFICATIONS.  
 SMT LEAD : GOLD 0.05 μm MIN.  
 UNDER PLATING : NICKEL 1 μm MIN.
  - 4. PLEASE CONTACT US IN CASE YOU WILL MAKE DIFFERENT SETTINGS FROM OUR RECOMMENDATION.

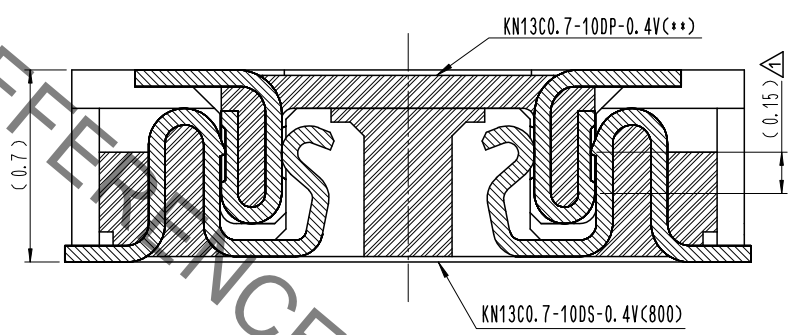
COUNT	DESCRIPTION OF REVISIONS	B	Y	CHKD	DATE	COUNT	DESCRIPTION OF REVISIONS	B	Y	CHKD	DATE
2	RE-6-0786	JSH	JHW		16. 11. 30						
5	RE-6-1598	JDH	JHW		19. 10. 30						

A:A(50:1)



DRAWING FOR REFERENCE  
 This is subject to change without notice

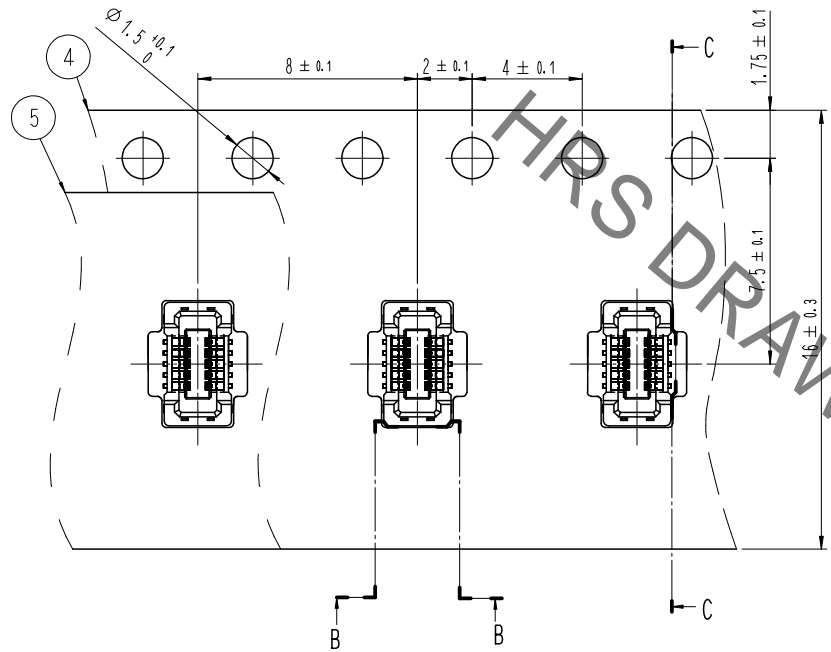
ENGAGEMENT FIGURE (50:1)



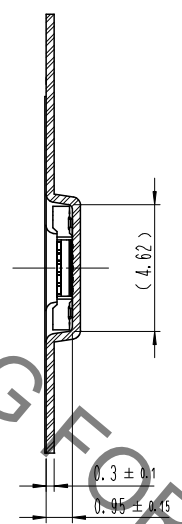
3	COPPER ALLOY	3	6	PS	BLACK (PLASTIC REEL)		
2	COPPER ALLOY	2	5	POLYESTER	CLEAR (COVER TAPE)		
1	LCP	UL94 V-0, BLACK	4	PS	CLEAR (EMBOSSED CARRIER TAPE)		
NO.	MATERIAL	FINISH, REMARKS	NO.	MATERIAL	FINISH, REMARKS		
REMARKS			DRAWN	DESIGNED	CHECKED	APPROVED	RELEASED
			S. H. JUNG	S. H. JUNG	H. W. JO	T. S. KANG	19. 10. 30
			16. 11. 23	16. 11. 23	16. 11. 23	16. 11. 23	
CODE NO. (OLD)	DRAWING NO.	PART NO.					
	EDC3-632682-80	KN13CO.7-10DS-0.4V(800)					
SCALE	UNITS		CODE NO.				
10:1	HRS HIROSE KOREA CO., LTD.		CL 6647-0042-3-800		1/2		

May.1.2023 Copyright 2023 HIROSE ELECTRIC CO., LTD. All Rights Reserved.  
 use of consideration for using Automotive equipment /device which demand high reliability, kindly contact our sales window correspond

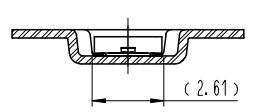
EMBOSSED CARRIER TAPE PACKAGING (5:1)



C-C (5:1)



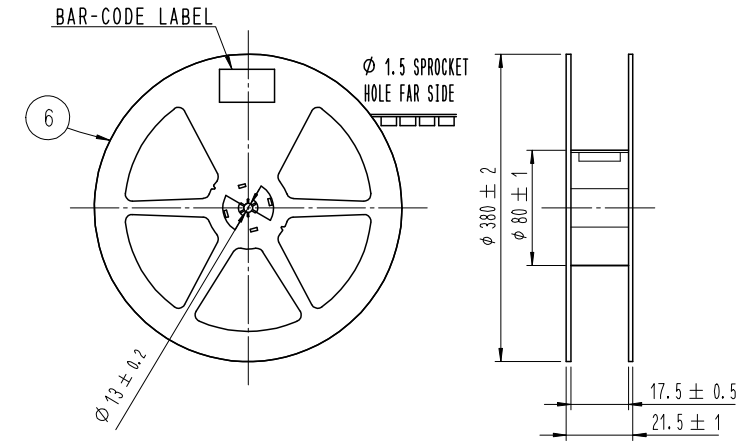
B-B (5:1)



DIRECTION OF UNREELING



STYLE AND DIMENSION OF REEL (FREE)

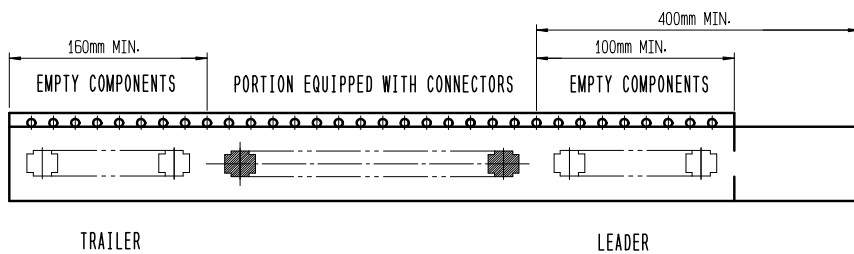


DETAIL OF PART No. LABEL

LOT NO.	*****-**-**
CL NO.	CL ***-*****
PRODUCT	PART NO KN13C0.7-10DS-0.4V(800)
QUANTITY	Q'TY 8,000 PCS
SUPPLIER	HIROSE KOREA CO., Ltd.

RoHS H/F<sup>®</sup>

TAPING(FREE)



- 5 . PER REEL 8,000 CONNECTORS.
- 6 . THE DIMENSIONS IN PARENTHESES ARE FOR REFERENCE.
- 7 . REFER TO JIS C 0806, IEC-60286-3 (PACKAGING OF COMPONENTS FOR AUTOMATIC HANDLING)

 SCALE 10:1 UNITS mm	DRAWING NO. $\Delta$ EDC3-632682-80	PART NO. KN13C0.7-10DS-0.4V(800)
	HIROSE KOREA CO., LTD.	CODE NO $\Delta$ CL 6647-0041-0-800