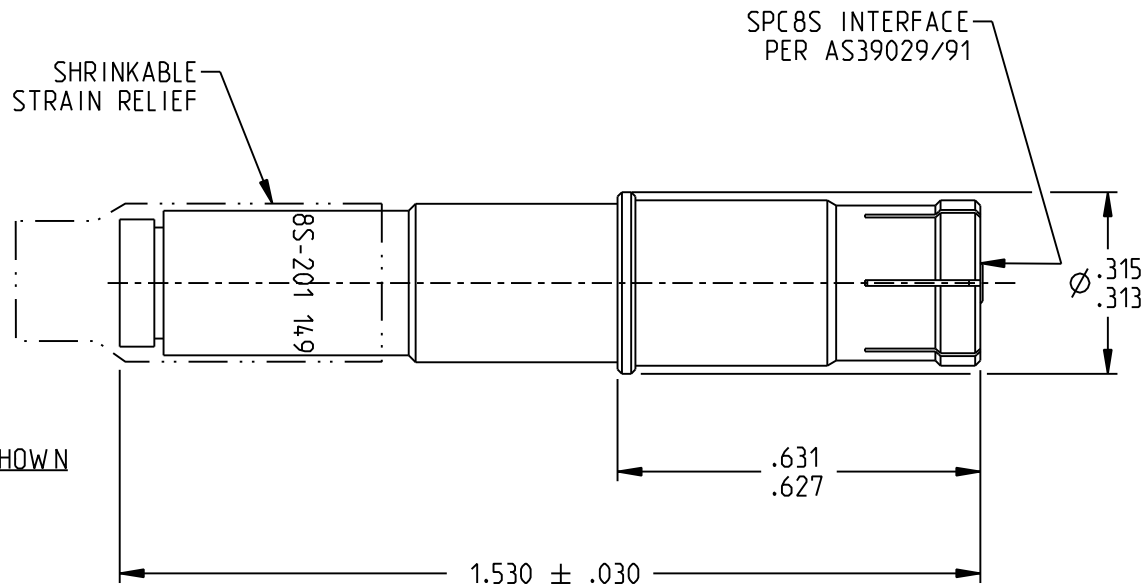
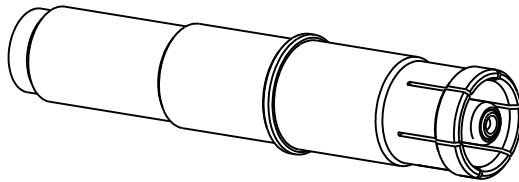


MODEL NO.	CABLE ACCOMMODATED	ASSEMBLE PER
SPC8S-201	M17/176-00002	TAI-132
SPC8S-202	TWC-78-1	
SPC8S-203	TWCX-124-1A	
SPC8S-204	10602, 10602 RAYCHEM	
SPC8S-205	TWAC-78-1F2	
SPC8S-208	2023927, MICRODOT	
SPC8S-217	M27500-22RC2S06	
SPC8S-218	EPD221888, RAYCHEM	
SPC8S-221	10614, RAYCHEM 05A4077-1, NORTHROP GC875TM24H, GRUMMAN	
SPC8S-222	10613, RAYCHEM	
SPC8S-223	HMS2-1149, HUGHES	
SPC8S-301	GC875GC1, GRUMMAN	
SPC8S-302	GC875GB1, GRUMMAN	
SPC8S-303	7528A5314, RAYCHEM	



SPC8S-201 SHOWN

NOTES: UNLESS OTHERWISE SPECIFIED

1. MATERIAL & FINISH:
 - 1.1 BODY & CRIMP BUSHING: GOLD PLATED BRASS
 - 1.2 INSULATORS & DIELECTRICS: PTFE
 - 1.3 INTERMEDIATE CONTACT:
 - 1.3.1 SPC8S-201 THRU SPC8S-223: GOLD PLATED BRASS
 - 1.3.2 SPC8S-301 THRU SPC8S-303: GOLD PLATED BERYLLIUM COPPER
 - 1.4 CONTACT: GOLD PLATED BERYLLIUM COPPER

2. ELECTRICAL:
 - 2.1 IMPEDANCE: NON-CONSTANT
 - 2.2 FREQUENCY (MAX): 500 MHZ

3. DESIGNED TO AS39029/91

		TROMPETER	
	RoHS2 <input checked="" type="checkbox"/> 2015/863/EU	Title: SIZE 8 CONTACT, TWINAX, SOCKET CENTER CONTACT	
<small>NOTICE: The information in this drawing is PROPRIETARY and must not be used without the permission of Cinch Connectivity Solutions. It may contain data whose export is restricted. Verify status prior to exporting.</small>	<small>UNLESS OTHERWISE SPECIFIED UNITS: INCH</small> .XX ±.02 .XXX ±.010 ANGLES ±1°	Model No. SPC8S-XXX	Date: 01/20/2022 Sheet 1 OF 1
<small>INTERPRET DRAWING IN ACCORDANCE WITH ASME Y14.5-2018</small>	Size A	DO NOT SCALE DRAWING	Date: 01/20/2022