



ANATECH ELECTRONICS INC
RF & Microwave Filters & Products

30 MHz LC Band Pass Filter

Part Number: AE30B5737



Electrical Specifications

Center Frequency: 30 MHz
3.0dB Passband: 29-31 MHz
Insertion Loss: 5.0dB Max.
Return Loss: 14dB Min.
Rejection: ≥ 60 dB @ 22 MHz
Rejection2: ≥ 60 dB @ 38 MHz

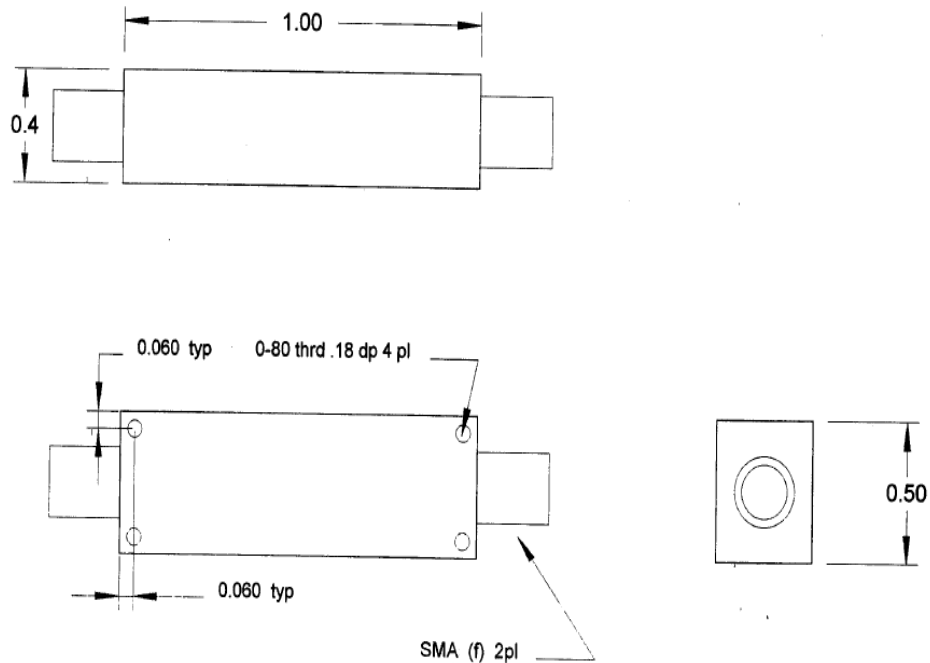
Mechanical

Mounting Method: Threaded Mounting Holes
Connector Type: SMA (F)
Dimensions: 1.0" X 0.5" x 0.4" .

Environmental

Operating Temperature: -25°C to +70°C
Storage Temperature: -40°C to +90°C
Shock: 10 G. 11ms
Vibration: 10 G. 5 to 200Hz

Outline Drawing:





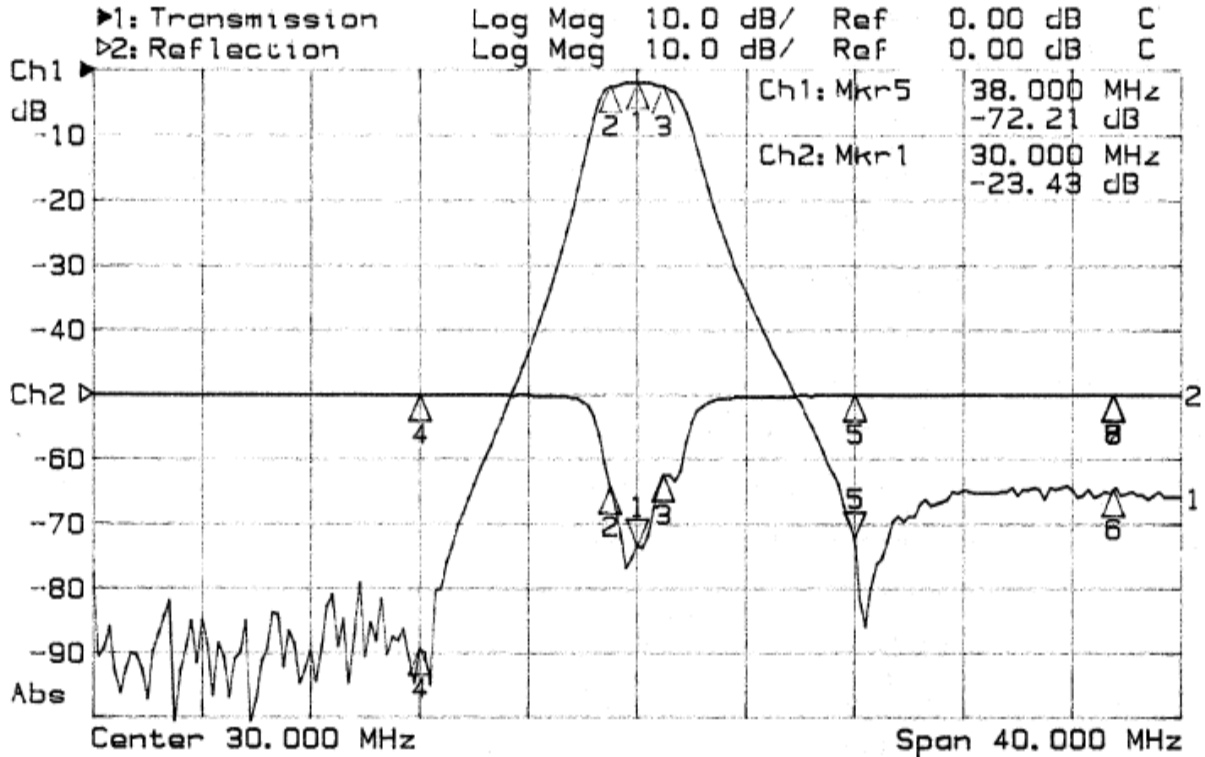
ANATECH ELECTRONICS INC
RF & Microwave Filters & Products

30 MHz LC Band Pass Filter

Part Number: AE30B5737



Response Plot:



1: Mkr (MHz)	dB	2: Mkr (MHz)	dB		
1:	30.00	-1.95	1>	30.00	-23.43
2:	29.00	-2.61	2:	29.00	-14.34
3:	31.00	-2.65	3:	31.00	-12.58
4:	22.00	-89.49	4:	22.00	-0.05
5>	38.00	-72.21	5:	38.00	-0.10
6:	47.50	-64.83	6:	47.50	-0.05
			7:	47.50	-0.05
			8:	47.50	-0.05