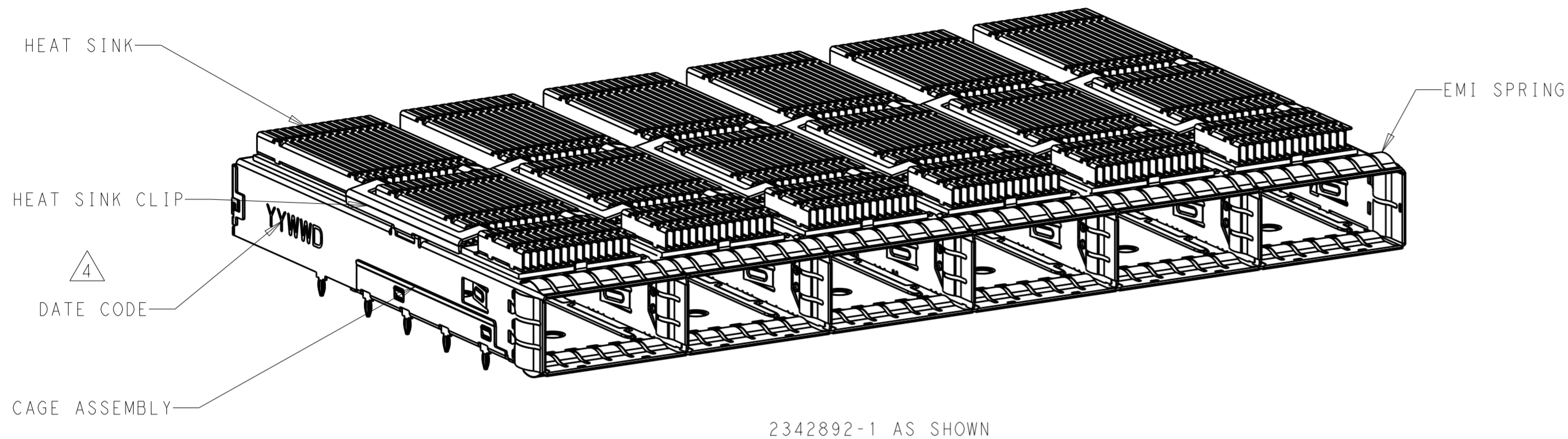


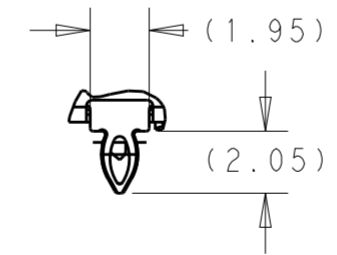
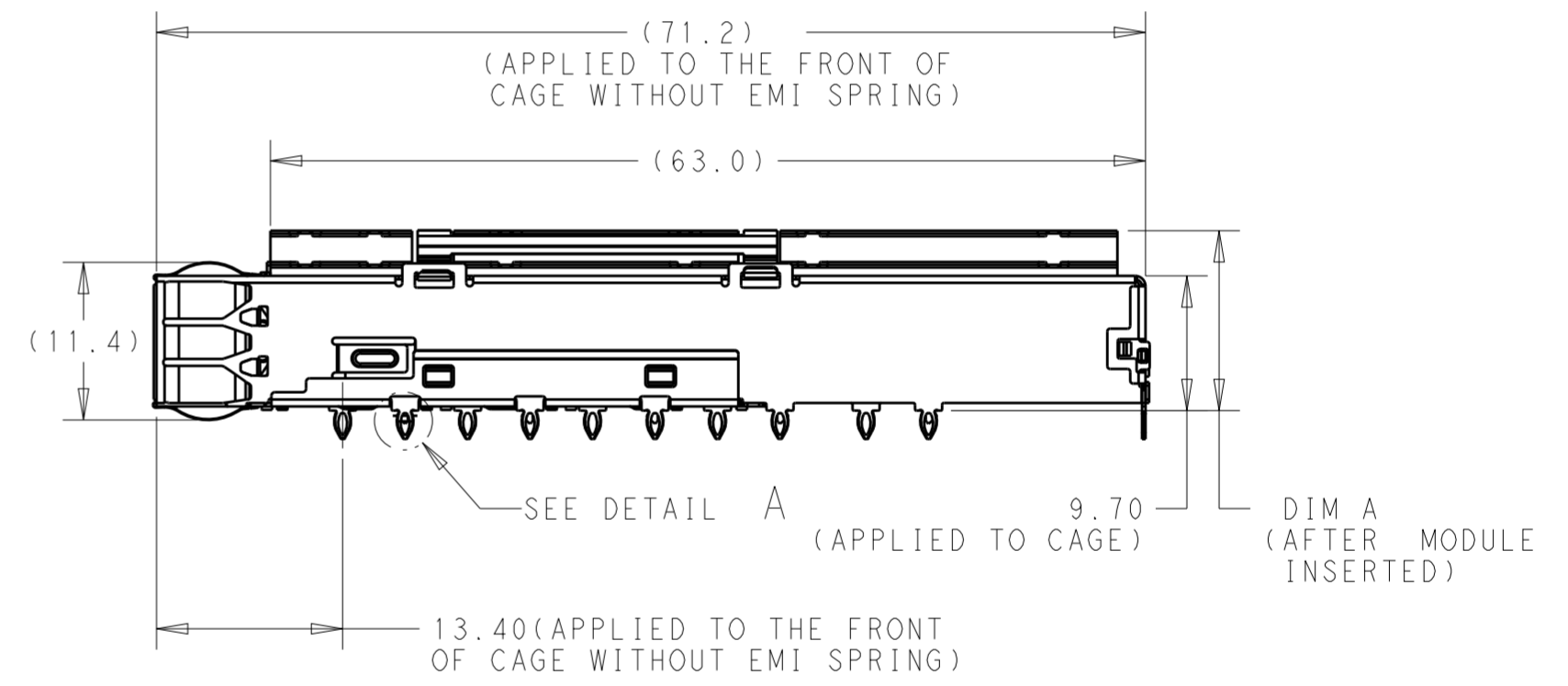
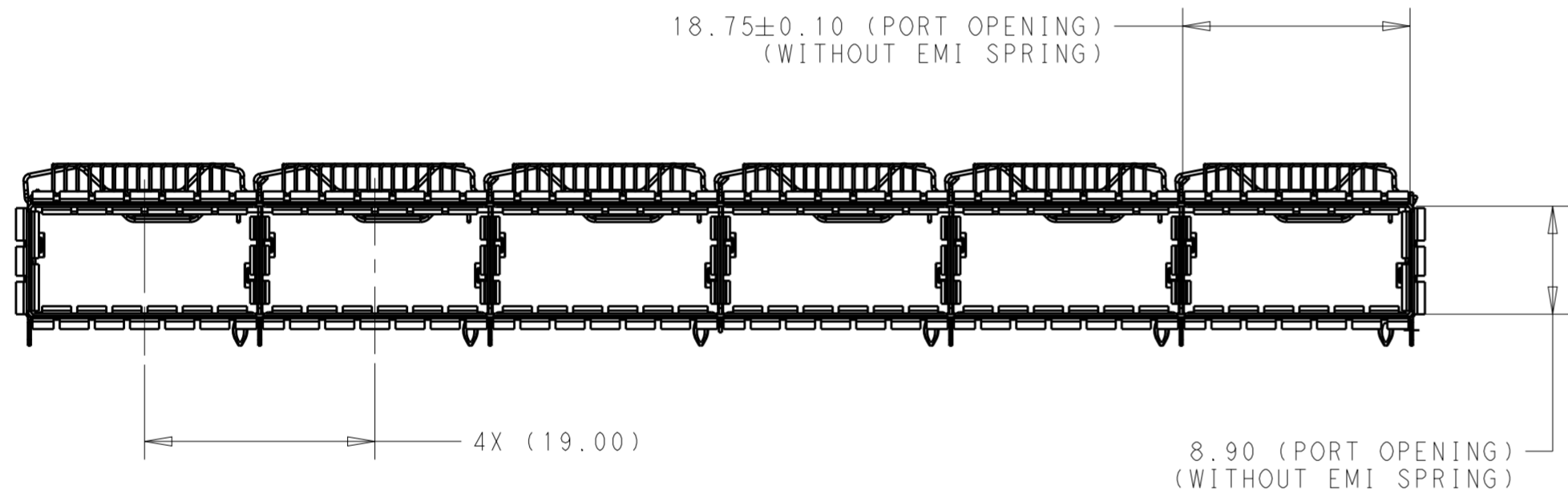
THIS DRAWING IS UNPUBLISHED. RELEASED FOR PUBLICATION 20
 © COPYRIGHT 20 BY - ALL RIGHTS RESERVED.

REVISIONS				
P	LTR	DESCRIPTION	DATE	APVD
1		INITIAL RELEASE	23AUG2018	SH SH
2		ADDED DIMENSION FOR PLUGGED IN	09NOV2018	SH SH
A		INITIAL RELEASE	12JUN2019	SH SH



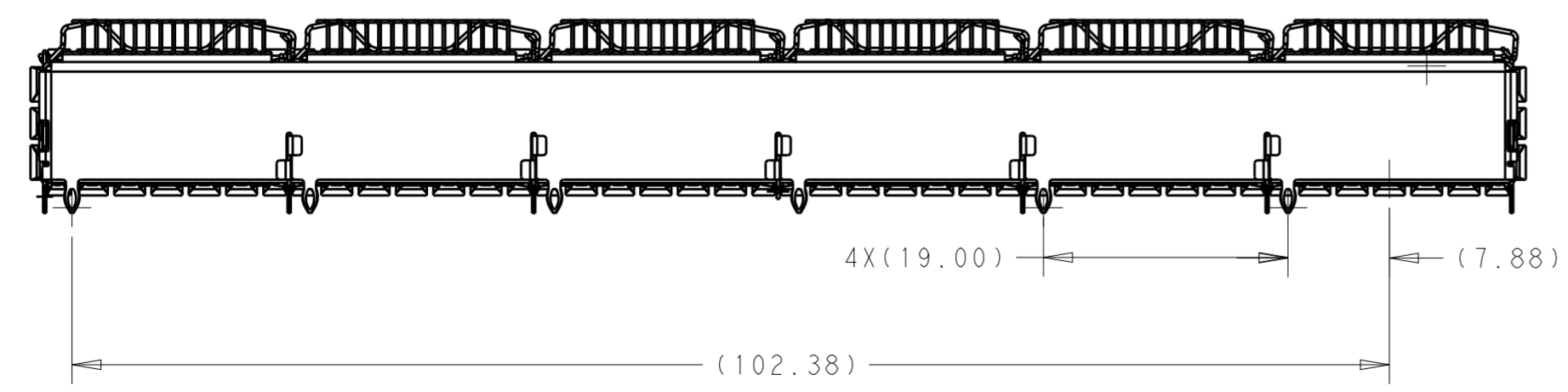
- 1 CAGE ASSEMBLY: STAINLESS STEEL
HEAT SINK: ALUMINUM/NICKEL PLATED
HEAT SINK CLIP: STAINLESS STEEL
EMI SPRING: COPPER ALLOY/ NICKEL PLATED
- 2 REFERENCE APPLICATION SPECIFICATION 114-60025 FOR RECOMMENDED DRILL HOLE DIAMETER AND PLATING THICKNESS. BOARD LAYOUT PER THIS PRINT.
- 3 DATUM AND BASIC DIMENSION ESTABLISHED BY CUSTOMER
- 4 DATE CODE(YYWWD) MARKED APPROXIMATELY AS SHOWN.
- 5. MATES WIHT QSFP-DD MSA COMPATIBLE TRANSCEIVER.
- 6. MINIMUM PC BOARD THICKNESS:
SINGLE SIDED: 1.57 MIN
DOUBLE SIDED: 3.00 MIN

2342892-1 AS SHOWN



2342892-1 AS SHOWN

DETAIL A
SCALE 4:1



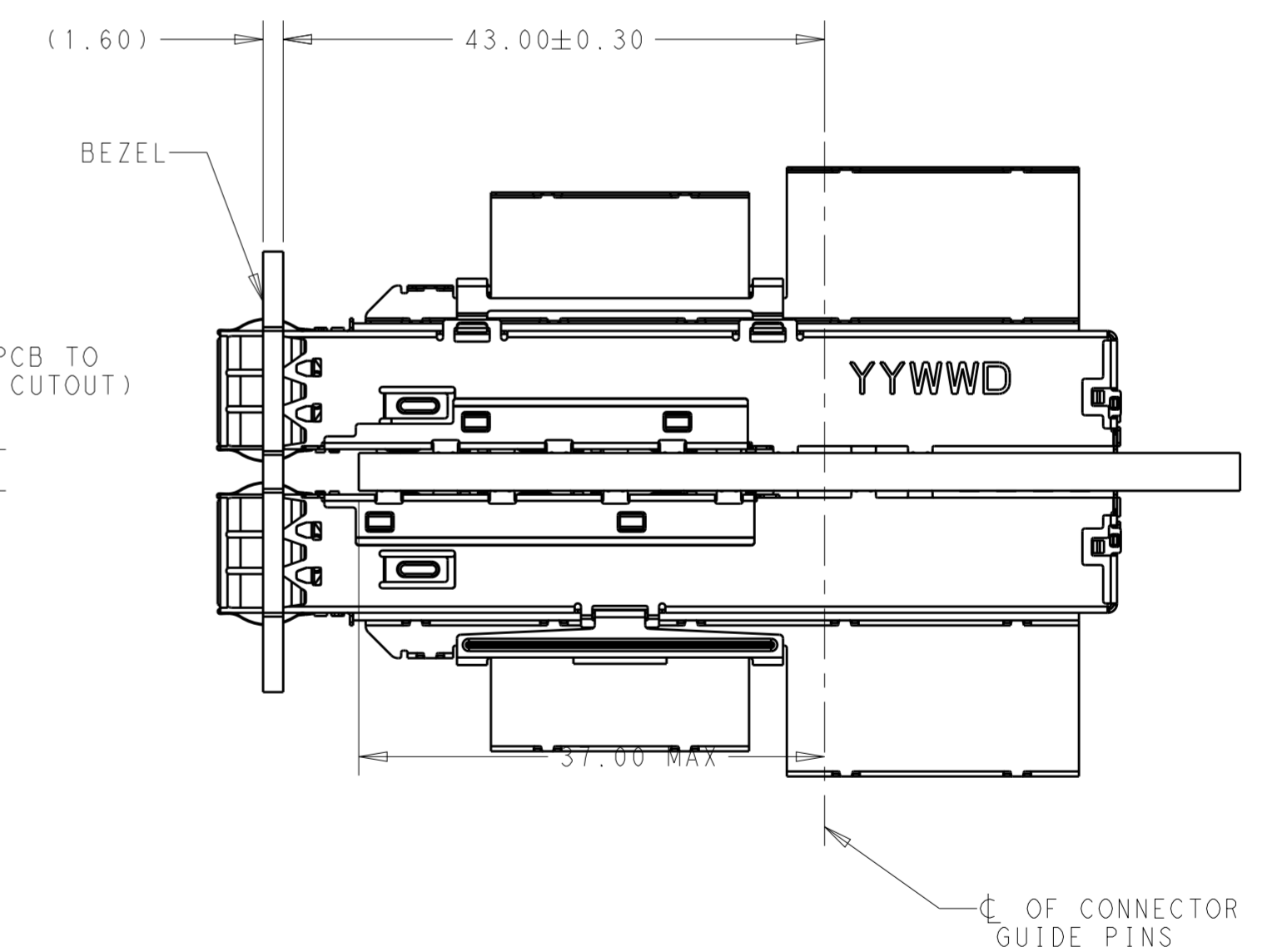
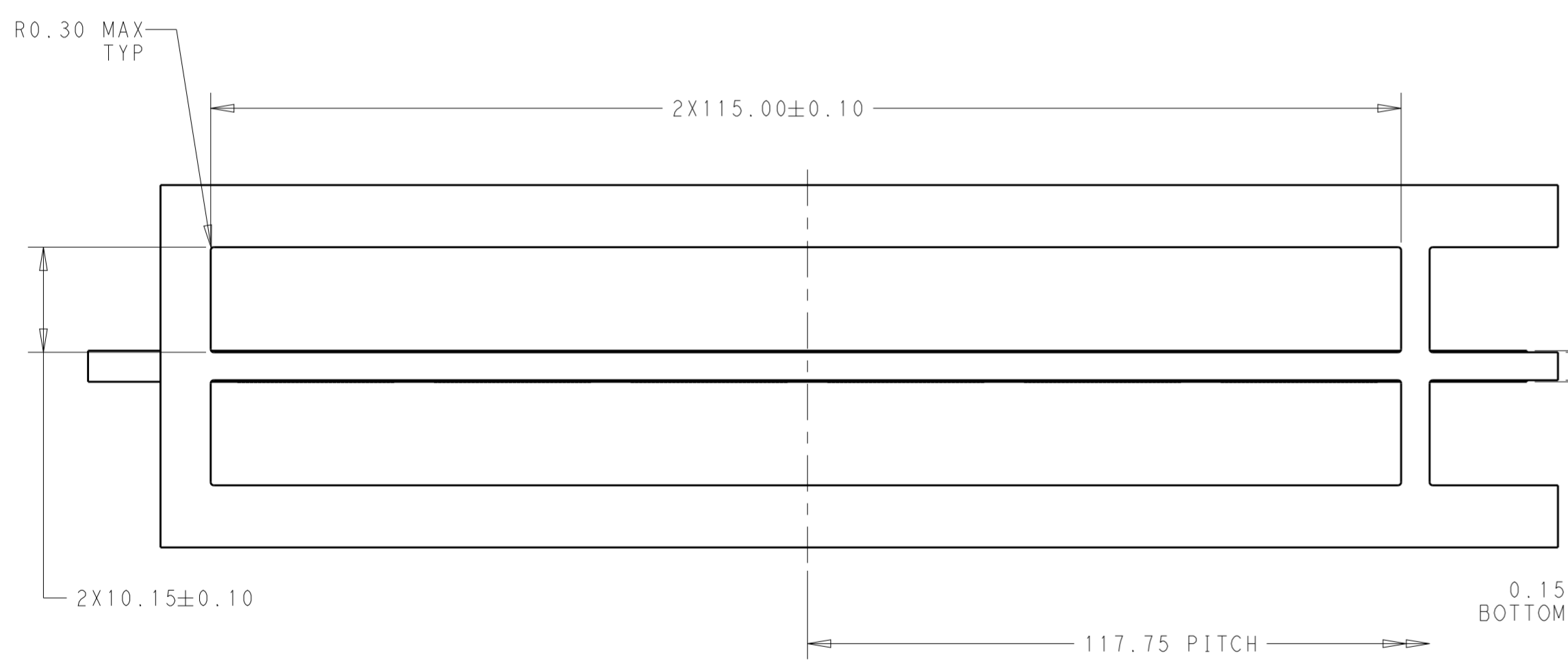
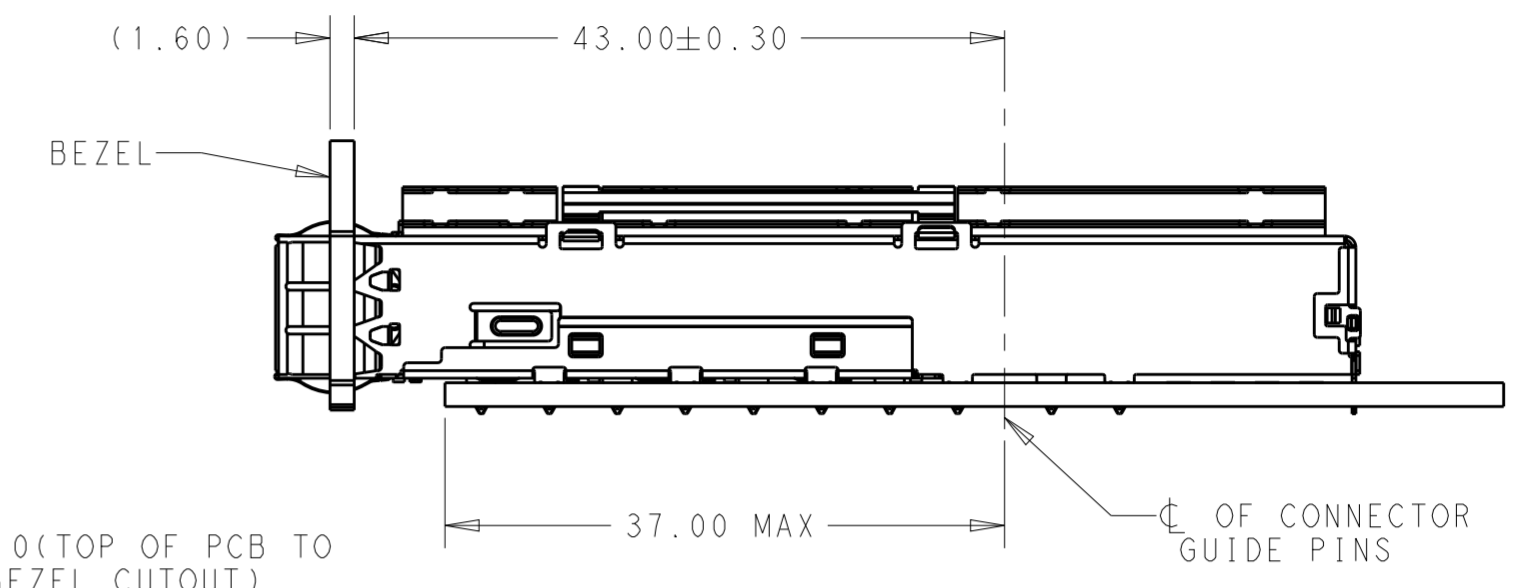
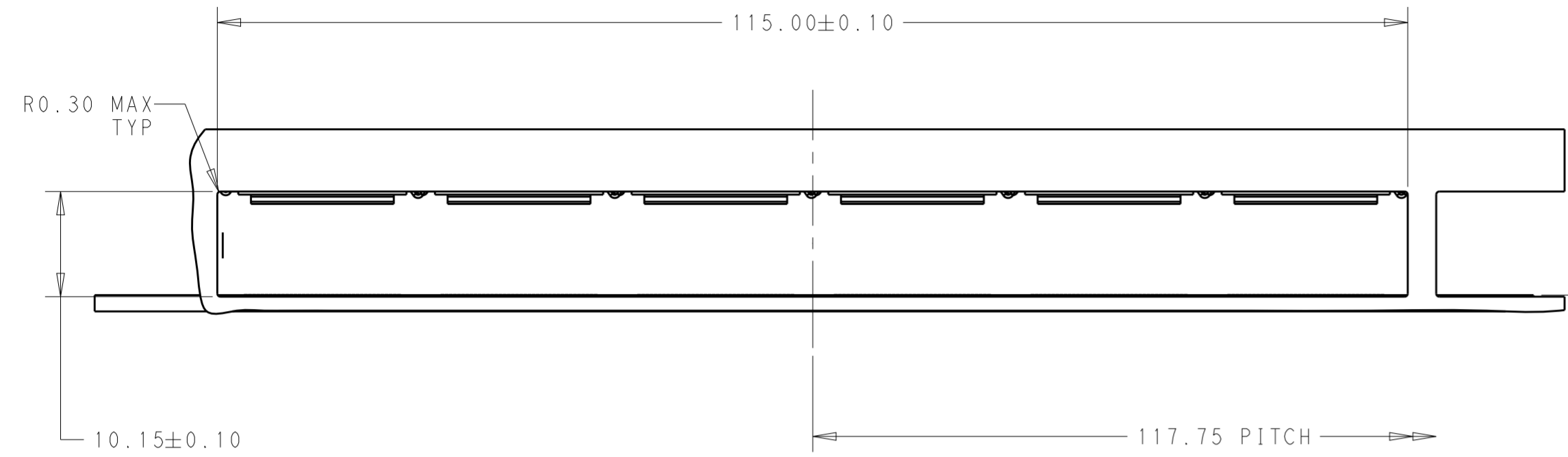
SCALE 2:1

HS SPECIFICATION	DIM A	PART NUMBER	DESCRIPTION	ITEM
NET	23.00	2342892-3	CAGE ASSY WITH NET HS	3
SAN	16.00	2342892-2	CAGE ASSY WITH SAN HS	2
PCI	13.70	2342892-1	CAGE ASSY WITH PCI HS	1

THIS DRAWING IS A CONTROLLED DOCUMENT.		DWN 23AUG2018 STEPHEN HE	TE Connectivity	NAME		
DIMENSIONS:		CHK 23AUG2018 SEAN HAN		CAGE ASSEMBLY WIHT HEAT SINK FOR GM		
TOLERANCES UNLESS OTHERWISE SPECIFIED:		APVD 23AUG2018 SEAN HAN		QSFP-DD 1X6 ZIPPER		
mm	0 PLC ±0.25 1 PLC ±0.25 2 PLC ±0.25 3 PLC ± 4 PLC ±	PRODUCT SPEC	SIZE	CAGE CODE	DRAWING NO	RESTRICTED TO
MATERIAL	ANGLES ±1 FINISH	APPLICATION SPEC	A2	-	©-2342892	-
		WEIGHT	SCALE 1:1		SHEET 1 OF 5	REV A
		CUSTOMER DRAWING				

THIS DRAWING IS UNPUBLISHED. RELEASED FOR PUBLICATION 20
 © COPYRIGHT 20 BY - ALL RIGHTS RESERVED.

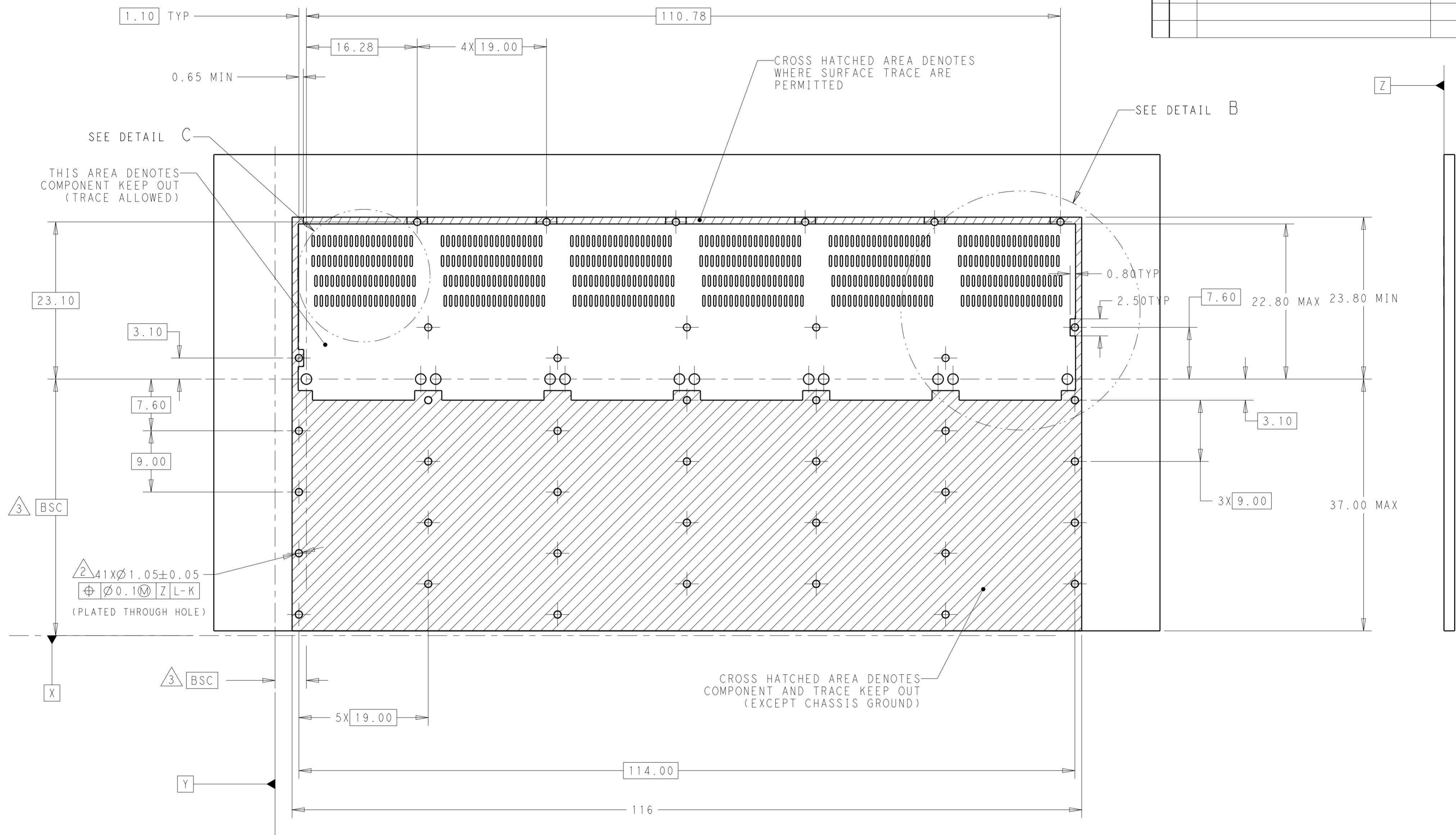
REVISIONS				
P	LTR	DESCRIPTION	DATE	APVD
-	-	SEE SHEET 1	-	-



THIS DRAWING IS A CONTROLLED DOCUMENT.		DWN 23AUG2018 STEPHEN HE	STE TE Connectivity	
		CHK 23AUG2018 SEAN HAN		
		APVD 23AUG2018 SEAN HAN	NAME CAGE ASSEMBLY WIHT HEAT SINK FOR GM	
DIMENSIONS:		PRODUCT SPEC	QSFP-DD 1X6 ZIPPER	
mm		APPLICATION SPEC	SIZE A2	CAGE CODE -
TOLERANCES UNLESS OTHERWISE SPECIFIED:		WEIGHT -	DRAWING NO C-2342891	RESTRICTED TO -
0 PLC ±0.25	1 PLC ±0.25	CUSTOMER DRAWING	SCALE 1:1	SHEET 2 OF 5
2 PLC ±0.25	3 PLC ±			REV A
4 PLC ±	ANGLES ±1			
FINISH -				

THIS DRAWING IS UNPUBLISHED. RELEASED FOR PUBLICATION 20
 © COPYRIGHT 20 BY - ALL RIGHTS RESERVED.

REVISIONS				
P	LTR	DESCRIPTION	DATE	APVD
-	-	SEE SHEET 1	-	-

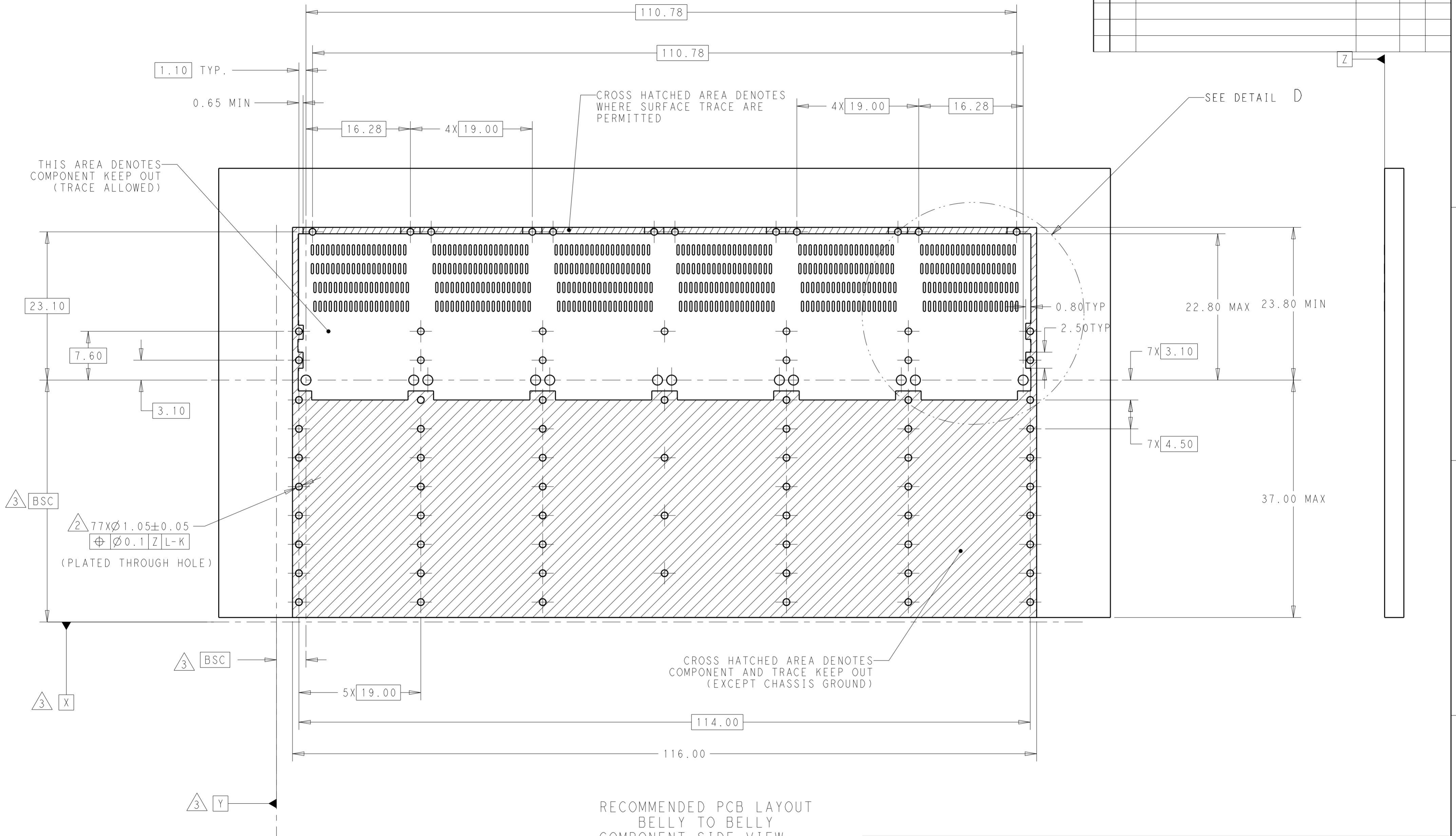


RECOMMENDED PCB LAYOUT
 SINGLE TYPE
 COMPONENT SIDE VIEW


THIS DRAWING IS A CONTROLLED DOCUMENT.		DWN STEPHEN HE 23AUG2018	TE Connectivity	
DIMENSIONS: mm		CHK SEAN HAN 23AUG2018		
TOLERANCES UNLESS OTHERWISE SPECIFIED:		APVD SEAN HAN 23AUG2018	NAME CAGE ASSEMBLY WIHT HEAT SINK FOR GM QSFP-DD 1X6 ZIPPER	
0 PLC ±0.25		PRODUCT SPEC	SIZE A2	
1 PLC ±0.25		APPLICATION SPEC	CAGE CODE -	
2 PLC ±0.25		WEIGHT	DRAWING NO C-2342891	
3 PLC ±		CUSTOMER DRAWING	RESTRICTED TO -	
4 PLC ±		SCALE 1:1	SHEET 3 OF 5	
ANGLES ±1		REV A		
FINISH				

THIS DRAWING IS UNPUBLISHED. RELEASED FOR PUBLICATION 20
 © COPYRIGHT 20 BY - ALL RIGHTS RESERVED.

REVISIONS				
P	LTR	DESCRIPTION	DATE	APVD
-	-	SEE SHEET 1	-	-

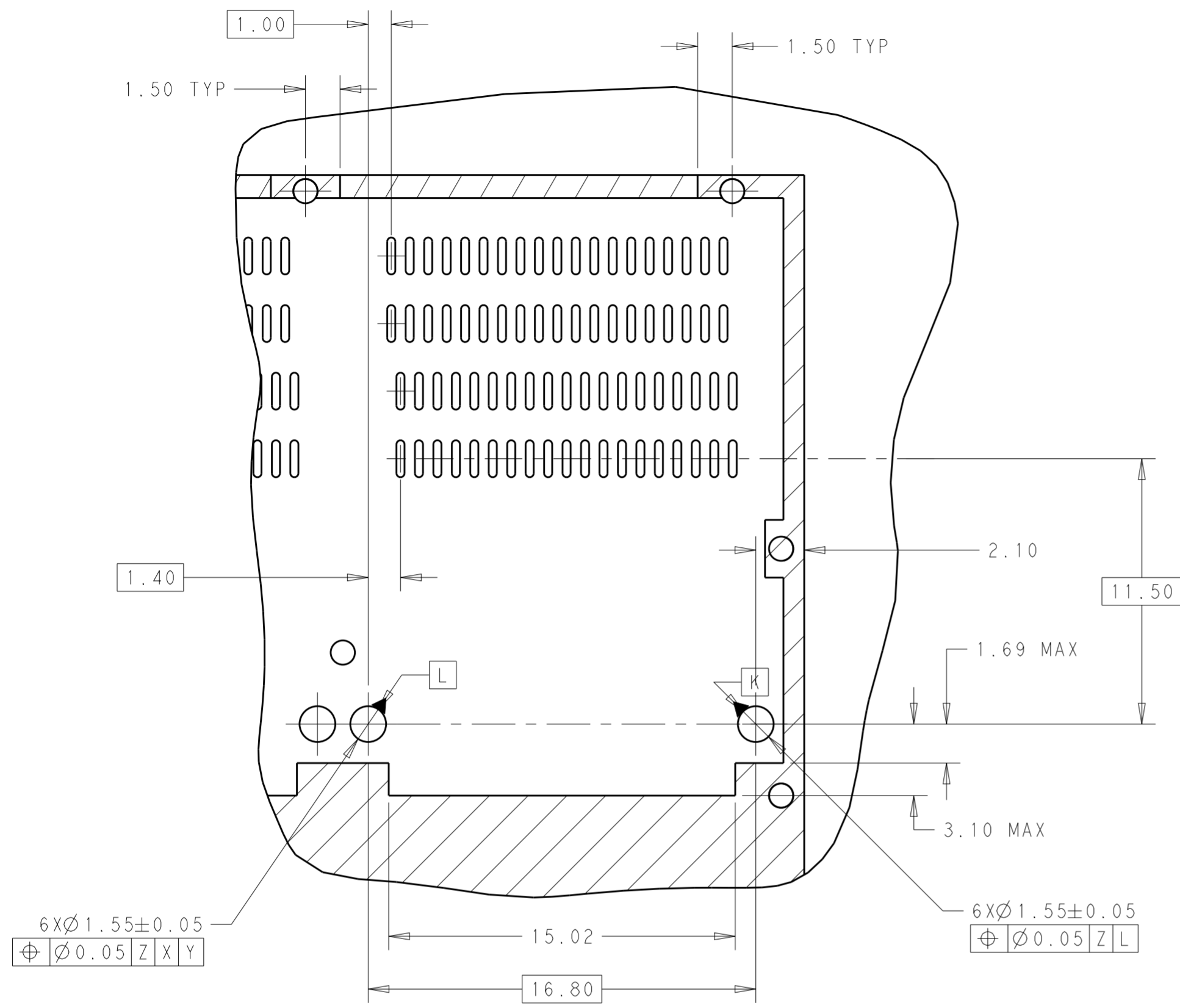


RECOMMENDED PCB LAYOUT
 BELLY TO BELLY
 COMPONENT SIDE VIEW

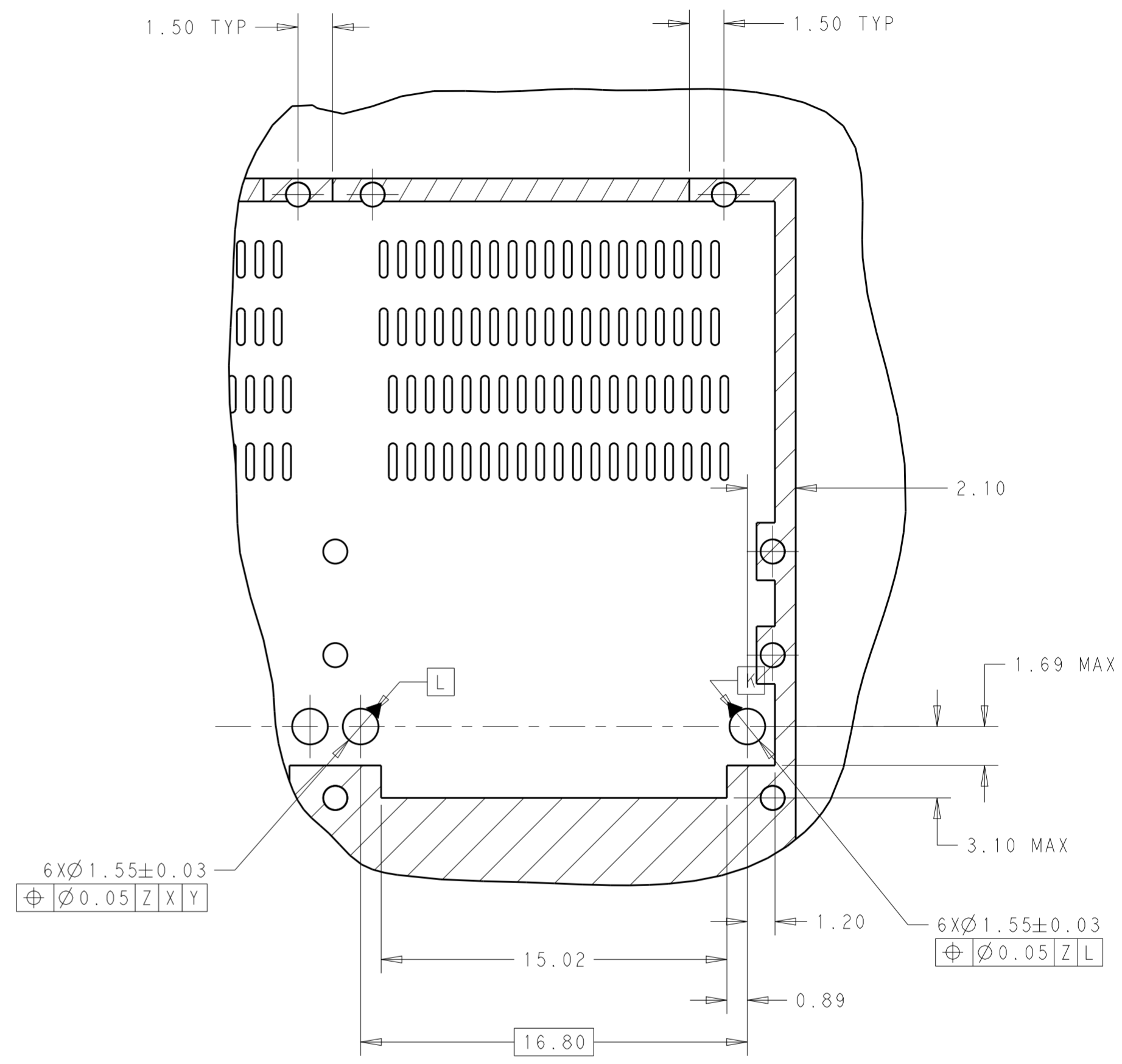
THIS DRAWING IS A CONTROLLED DOCUMENT.		DWN STEPHEN HE 23AUG2018	 TE Connectivity	
DIMENSIONS: mm		CHK SEAN HAN 23AUG2018		
TOLERANCES UNLESS OTHERWISE SPECIFIED:		APVD SEAN HAN 23AUG2018	NAME CAGE ASSEMBLY WIHT HEAT SINK FOR GM QSFP-DD 1X6 ZIPPER	
0 PLC ±0.25 1 PLC ±0.25 2 PLC ±0.25 3 PLC ± 4 PLC ± ANGLES ± FINISH ±1		PRODUCT SPEC -	RESTRICTED TO -	
MATERIAL -		APPLICATION SPEC -	SIZE A2	CAGE CODE -
-		WEIGHT -	DRAWING NO C-2342891	SCALE 1:1
-		CUSTOMER DRAWING	SHEET 4 OF 5	REV A

THIS DRAWING IS UNPUBLISHED. RELEASED FOR PUBLICATION 20
 © COPYRIGHT 20 BY - ALL RIGHTS RESERVED.

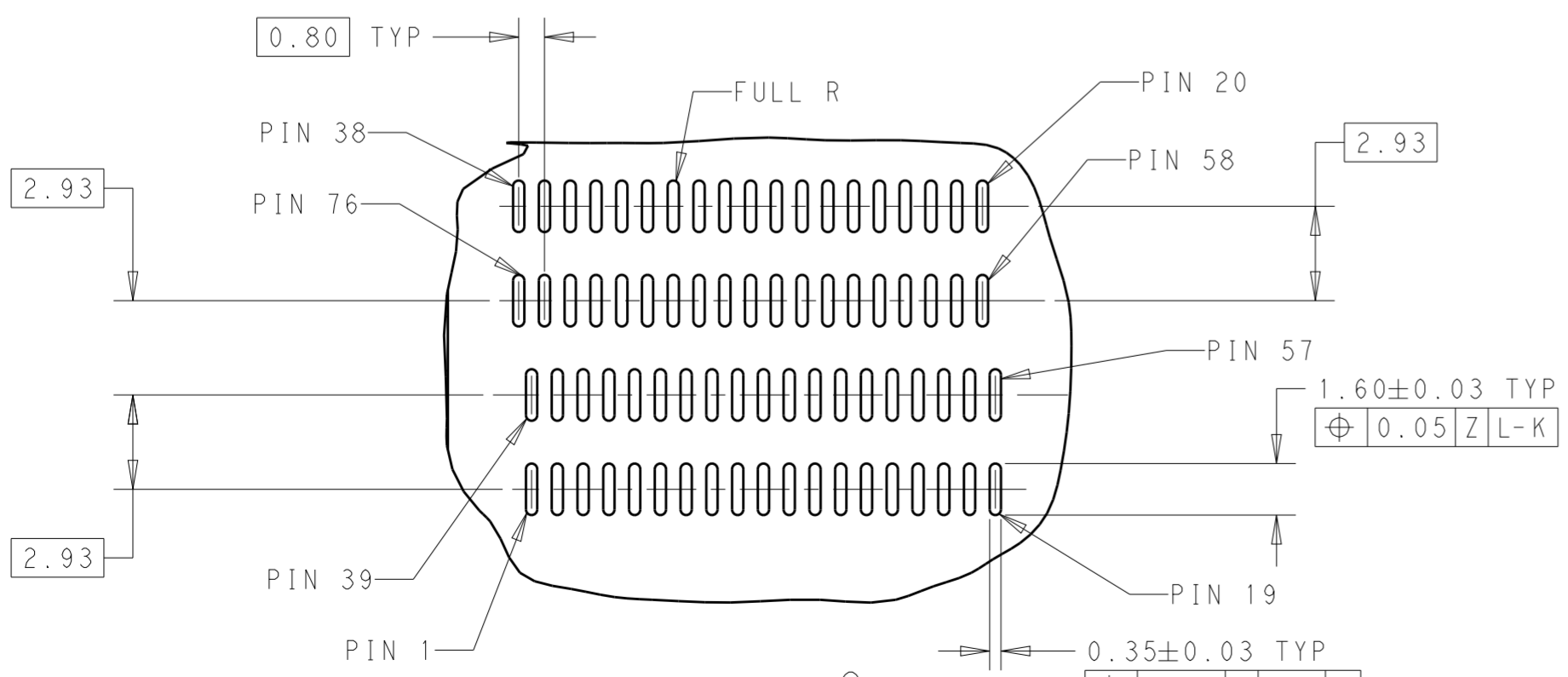
REVISIONS				
P	LTR	DESCRIPTION	DATE	APVD
-	-	SEE SHEET 1	-	-



DETAIL B
SCALE 5:1



DETAIL D
SCALE 5:1



DETAIL C
SCALE 5:1

THIS DRAWING IS A CONTROLLED DOCUMENT.		DWN STEPHEN HE 23AUG2018	 TE Connectivity	NAME CAGE ASSEMBLY WIHT HEAT SINK FOR GM QSFP-DD 1X6 ZIPPER		
DIMENSIONS: mm		CHK SEAN HAN 23AUG2018		SIZE A2	CAGE CODE -	DRAWING NO C-2342891
TOLERANCES UNLESS OTHERWISE SPECIFIED: 0 PLC ±0.25 1 PLC ±0.25 2 PLC ±0.25 3 PLC ± 4 PLC ± ANGLES ±1 FINISH -		APVD SEAN HAN 23AUG2018		RESTRICTED TO -	SCALE 1:1	SHEET 5 OF 5
MATERIAL -		PRODUCT SPEC -		WEIGHT -	CUSTOMER DRAWING	REV A