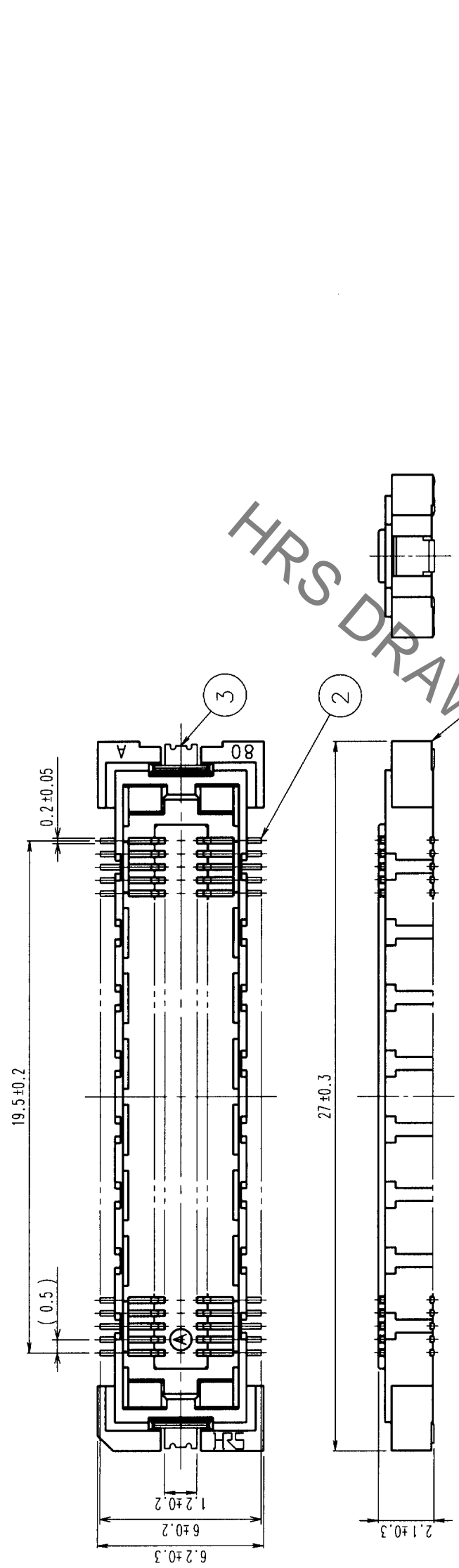


COUNT DESCRIPTION OF REVISIONS		BY CHKD	DATE	COUNT DESCRIPTION OF REVISIONS	BY CHKD	DATE
△		
△		
△		



RECOMMENDED LAND PATTERN DIMENSION OF PCB

- NOTES
- 1 SMT LEAD-COPLANARITY: 0.1 MAX.
 - 2 THIS PRODUCT HAS NO POLARITY TO PATTERN FOR MOUNTING.
 - 3 MAKE SURE WIDTH OF PATTERN IS WITHIN THAT OF LAND OR LEAD MAY TOUCH PATTERN. (THIS APPLIES TO HATCHED AREA.)

2	PHOSPHOR BRONZE	CONTACT AREA: GOLD (0.1μm) OVER NICKEL
1	LCP	LEAD: GOLD FLASH OVER NICKEL
NO.	MATERIAL	FINISH, REMARKS
	BEIGE UL94V-0	
CODE NO. (OLD)	CL	
DRAWN		DESIGNED
H. Matsubara		H. Rawa
00.04.28		00.04.28
3		PHOSPHOR BRONZE
		TIN PLATED
PART NO.		FINISH, REMARKS
EDC3-152648		
DRAWING NO.		APPROVED
5 : 1		H. Matsubara
UNITS		00.04.28
mm		00.04.28
SCALE		RELEASSED
5 : 1		
PART NO.		CODE NO.
FX11B-80S-SV		CL573-0758-3
HRS HIROSE ELECTRIC CO., LTD.		
1		1

TO	
PCK	