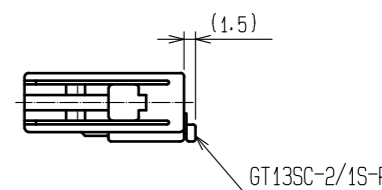
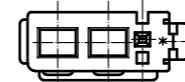
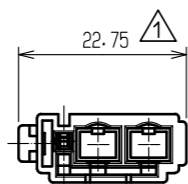
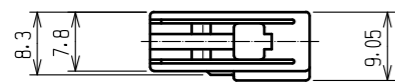
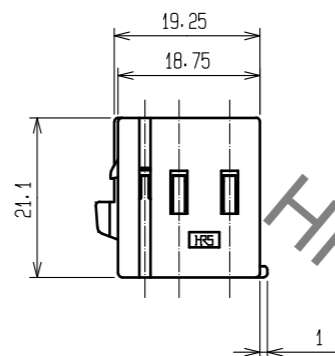
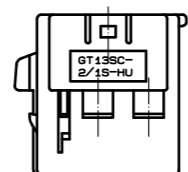


May.1.2023 Copyright 2023 HIROSE ELECTRIC CO., LTD. All Rights Reserved.
 In case of consideration for using Automotive equipment / device which demand high reliability, kindly contact our sales window correspondents.

ELV. RoHS COMPLIANT



DRAWING WITH RETAINER ATTACHED



HRS DRAWING FOR REFERENCE

INSERT RETAINER (CL763-0017-3-00) AFTER CONTACT INSTALLATION FOR USE.

1	PBT	UL94HB						
NO.	MATERIAL	FINISH . REMARKS	NO.	MATERIAL	FINISH . REMARKS			
UNITS mm		SCALE 1 : 1	COUNT 1	DESCRIPTION OF REVISIONS DIS-T-00006776		DESIGNED TY. OZAKI	CHECKED MO. OKADA	DATE 20200925
HRS HIROSE ELECTRIC CO., LTD.		APPROVED : KS. SATOH	20050105	DRAWING NO. EDC3-165771-00				
		CHECKED : MO. OKADA	20050105	PART NO. GT13SC-2/1S-HU				
		DESIGNED : KS. NEI	20050105	CODE NO. CL763-0016-0-00				
		DRAWN : KS. NEI	20050105					1/1