



CMCP780A

Compact Side Entry Accelerometer, 2 Pin MS Connector



Features:

- Compact Side Exit Accelerometer
- 100mV/g ±10%
- 130°C Max Temperature Range
- ±80g Dynamic Range
- 2 Pin MS 5015 Connector
- ¼"-28 UNF or M8x1.25 Captive Mounting Bolt
- Sealed to IP68

Typical Applications

Fans, Motors, Pumps, Compressors, Centrifuges, Conveyors, Air Handlers, Gearboxes, Rolls, Dryers, Presses, Cooling, HVAC, Spindles, Machine Tooling, Process Equipment and many more.

Technical Performance

Mounted Base Resonance: 28 kHz (nominal)
 Sensitivity: 100mV/g ±10% Nominal 80Hz at 22°C
 Frequency Response: 1.5 Hz to 16 kHz ±10% (90cpm to 960kcpm)
 0.8 Hz to 19 kHz ±3dB (48cpm to 1,140kcpm)
 Isolation: Base Isolated
 Measurement Range: ±80 g
 Transverse Sensitivity: Less than 5%

Electrical

Electrical Noise: 0.1mg max
 Current Range: 0.5mA to 8mA
 Bias Voltage: 10-12 Vdc
 Settling Time: 1 Second
 Output Impedance: 200 Ohms max.
 Case Isolation: >10⁸ Ohms at 500 Volts

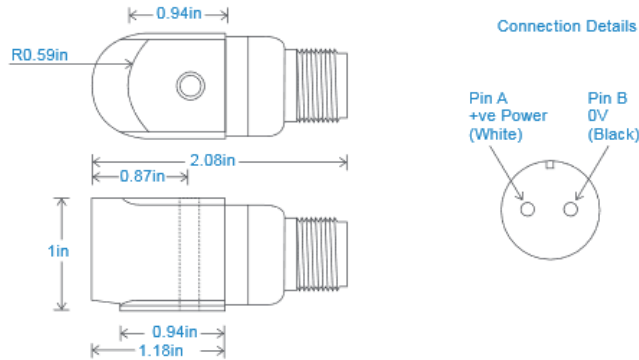
Environmental

Operating Temperature Range: -67 to 266°F (-55 to 130°C)
 Sealing: IP68 / Hermetically Sealed
 Maximum Shock: 5000 g
 Approvals: CE Approved

Mechanical

Case Material: Stainless Steel
 Sensing Element: PZT/Shear
 Mounting Torque: 5.9ft. lbs (8Nm)
 Weight: 4.7 Oz (135 grams)
 Mating Connector: 2 Pin MS 5015
 Mounting Thread:
 CMCP780A: 1/4-28 UNF Captive Bolt
 CMCP780A-M8: M8x1.25 Captive Bolt

Dimensions



Ordering Information:

CMCP780A Compact Side Entry Accelerometer, 100mV/g, ¼-28 UNF Captive Bolt
CMCP780A-M8 Compact Side Entry Accelerometer, 100mV/g, M8x1.25 Captive Bolt

Alternative Sensitivity Ordering Information:

CMCP780A-XXX Specify Sensitivity in Place of -XXX
50mV/g (-050), 250mV/g (-250) and 500mV/g (-500)

Recommended Cable Assemblies:

General Purpose TPE Jacketed Cable (Rated to 120°C)

CMCP602L Series 2 Socket MS Connector, Locking Collar, IP67
CMCP602LST Series 2 Socket MS Connector, Push On Seal Tight, IP68

High Temperature FEP Jacketed Cable (Rated to 200°C)

CMCP602H Series 2 Socket MS Connector, Locking Collar, IP67
CMCP602HST Series 2 Socket MS Connector, Push On Seal Tight, IP68