

- 1
- 2
- 3
- 4
- 5
- 6
- 7
- 8
- 9
- 10
- 11
- 12
- 13
- 14
- 15
- 16
- 17
- 18

## COMPONENTS

T-shaped connecting shanks, connecting joints and end shanks in aluminium die-cast coated.

Epoxy resin coating, black colour, semi-matte finish

Front mounting, tapped holes for M12x80 screws and washers in zinc-plated and passivate steel, included in the supply.

## TUBE

Aluminium, fine ground surface, natural colour anodised, satin finish.

## FEATURES AND APPLICATIONS

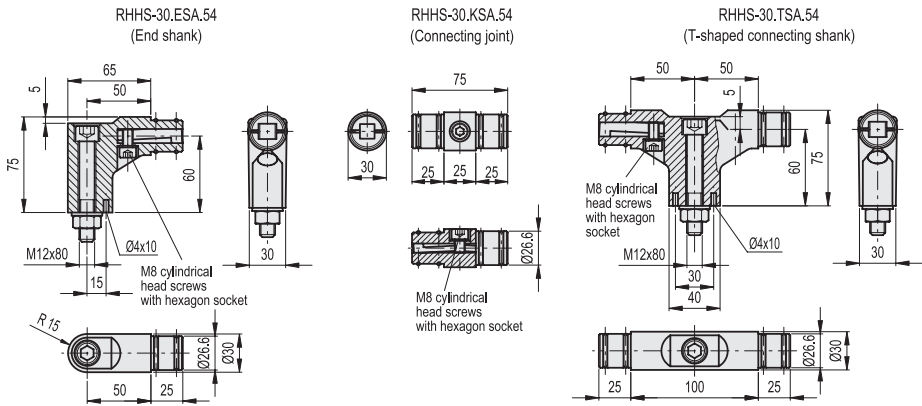
The end shanks and the T-shaped connecting shanks have one or two holes, respectively, for housing a positioning dowel  $\varnothing 4 \times 10$  to effectively prevent the part from rotating.

## ORDER INFORMATION

When ordering, the code of the tube and its components should be specified.

## SPECIAL EXECUTIONS ON REQUEST

- Aluminium tube of different lengths.
- Version with AISI 304 stainless steel screws, nuts and washers.
- Aluminium tube covered with epoxy resin, black colour, semi-matte finish.

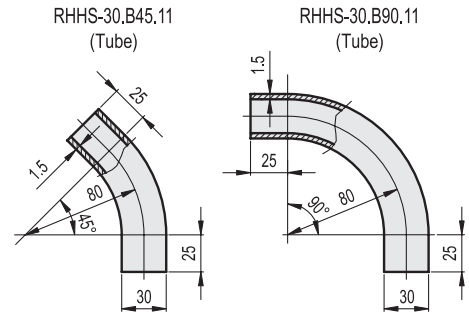
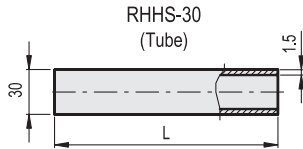


## RH-HS-30

METRIC

Code	⚖
RHHS-30.ESA.54	363
RHHS-30.KSA.54	155
RHHS-30.TSA.54	565

Conversion Table	
1 mm = 0.039 inch	
L	
mm	inch
200	7.87
300	11.81
400	15.75
500	19.69
600	23.62
700	27.56



## RH-HS-30-T

METRIC

Code	L	⚖
RHHS-30.200.11	200	71
RHHS-30.300.11	300	106
RHHS-30.400.11	400	141
RHHS-30.500.11	500	180
RHHS-30.600.11	600	210
RHHS-30.700.11	700	245

## RH-HS-30-C

METRIC

Code	⚖
RHHS-30.B45.11	39
RHHS-30.B90.11	62