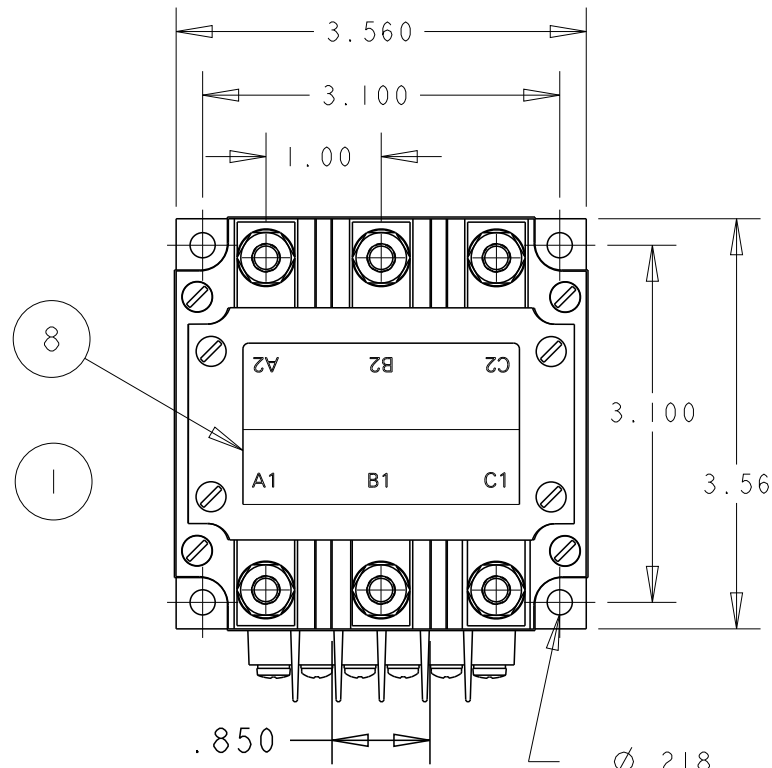


REVISIONS		RELEASED	
REV.	DESCRIPTION	DATE	APPROVED
K	RELEASED TO PRODUCTION FROM REV. J	28OCT2020	DSH



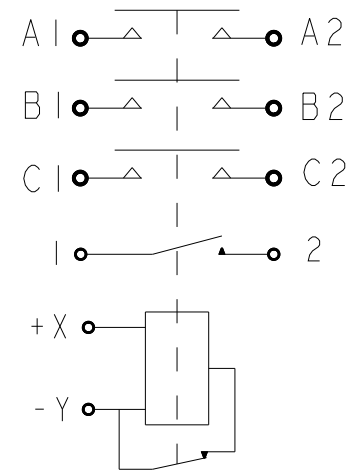
CONSTRUCTION

GASKET SEALED (DUST & WATER RESISTANCE)

MAIN CONTACTS  
 CONFIGURATION 3PST NORMALLY OPEN (DOUBLE BREAK)  
 VOLTAGE 240/416 VAC 480 VAC  
 FREQUENCY 50/60/400 HZ 50/60/400HZ  
 CURRENT RES. 240A 120A  
 RUPTURE 2400A 1200A  
 OPERATE TIME 50mS MAX  
 SIMULTANEITY 5mS

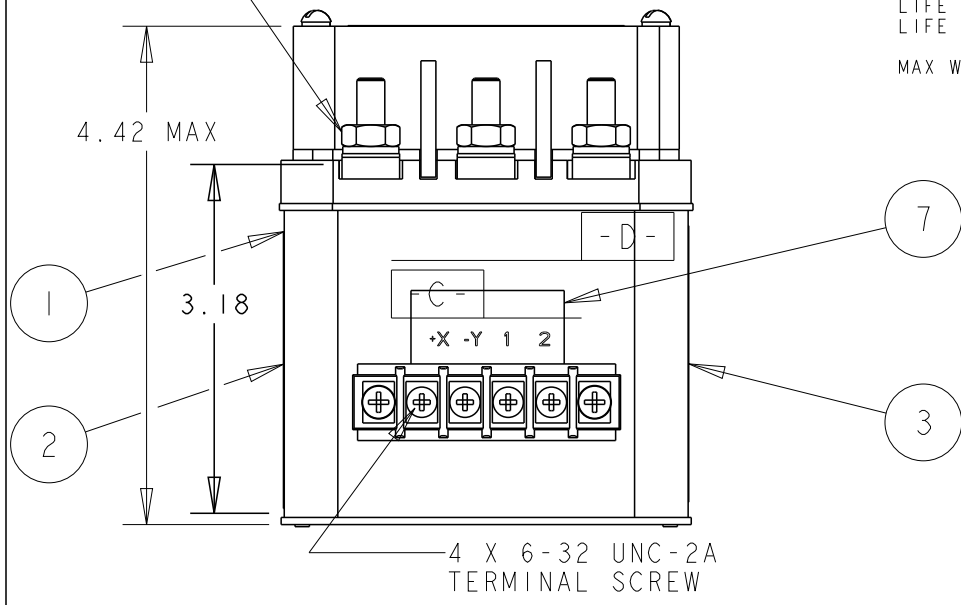
COIL DATA  
 DUTY CYCLE CONTINUOUS ECONOMIZING  
 NORMAL OPER. VOLT. 24 VDC  
 OPER. VOLTAGE RANGE 18VDC-32VDC  
 MAX PICKUP VOLTAGE 18 VDC  
 DROPOUT VOLTAGE 1-10 VDC  
 COIL CURRENT 3.0 A MAX AT 28 VDC & 25°C  
 INRUSH HOLD 0.35 A MAX AT 28 VDC & 25°C

AUX CONTACTS  
 CONFIGURATION 1 SPST N.O.  
 VOLTAGE 28 VDC  
 CURRENT RES. 5 AMP 28VDC  
 10 AMP 120VAC



4 5 6 1/4-28 UNF-2A (6 STUDS)

LIFE ELECTRICAL 50,000 CYCLES MIN.  
 LIFE MECHANICAL 100,000 CYCLES MIN.  
 MAX WEIGHT 2.8 LBS



FIND NO	QTY RECD	PART OR IDENTIFYING NO	NOMENCLATURE OR DESCRIPTION	DRAWING OR SPECIFICATION	FSCM NO	TYCO PART NO	MATERIAL OR NOTE
8	1	47912-011	LABEL - MAIN TERMINAL				1616967-7
7	1	47912-003	LABEL - TERMINAL				2-1616960-1
6	6	51807-034	LOCKWASHER, 1/4 SPLIT				3-1616360-0
5	6	51703-064	WASHER FLAT 1/2 X 17/64 X .032				6-1616358-7
4	6	50407-364	NUT 1/4-28 X 7/16 X 3/16 HEX				2-1616338-3
3	1	47912-002	LABEL - WIRING DIAGRAM				2-1616960-0
2	1	47912-010	LABEL-NAME PLATE				1616967-6
1	1	47776-030	CONTACTOR ASSEMBLY-PRIMARY				2-1616948-1

UNLESS OTHERWISE SPECIFIED DIMENSIONS ARE IN INCHES TOLERANCES ON		 Harman™ Division 175 N. DIAMOND STREET MANSFIELD, OHIO 44902	
2 PL DEC.13 PL DEC.1	ANGLES		
± .05	± .015	± 1°	
DR BY	EPW	05/07/01	CONTACTOR 3PST NO 240A 240/416 VAC
CHK BY	JMK	06/11/09	
ENGR	JMK	06/11/09	
MFG	MFG		
SIZE	CODE IDENT		DWG NO.
A	74063		SAI36F
SCALE	3/5	SHEET 1 OF 1	REF TE PN 1616948-7