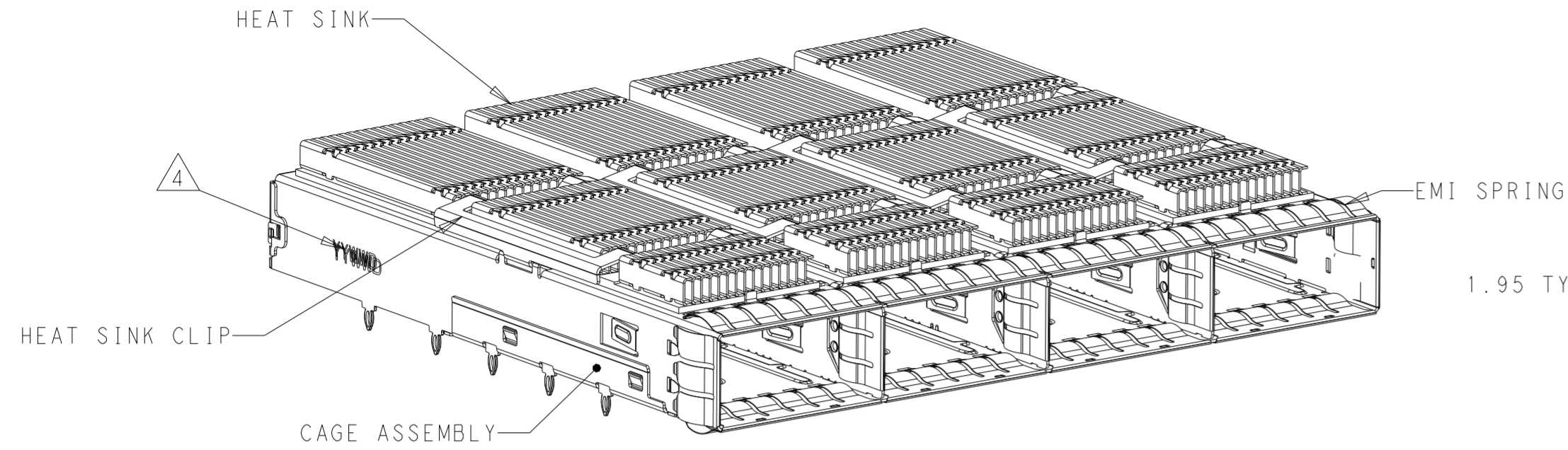
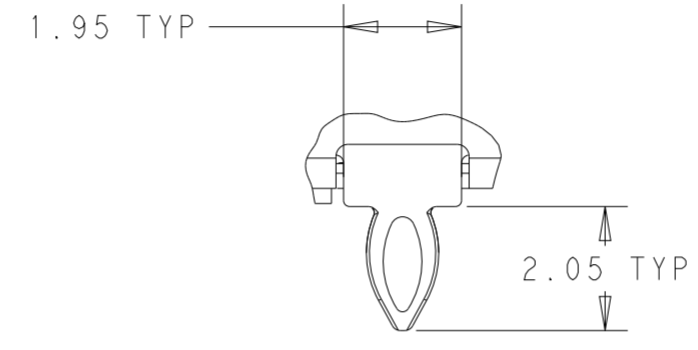


THIS DRAWING IS UNPUBLISHED. RELEASED FOR PUBLICATION 20
 © COPYRIGHT 20 BY - ALL RIGHTS RESERVED.

REVISIONS				
P	LTR	DESCRIPTION	DATE	APVD
A		PRODUCTION RELEASE	13JUN2019	JW SH
A1		REVISED PER ECN-21-123572	14OCT2021	SH SZ

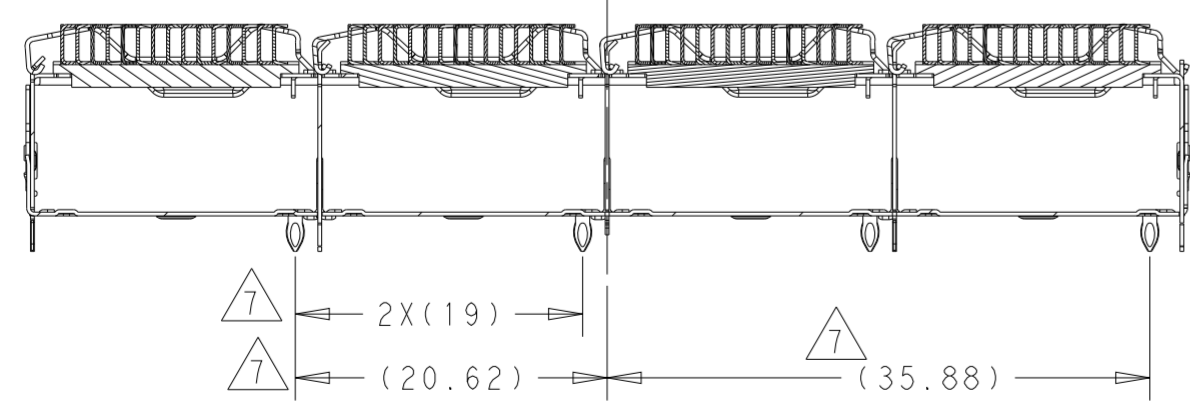
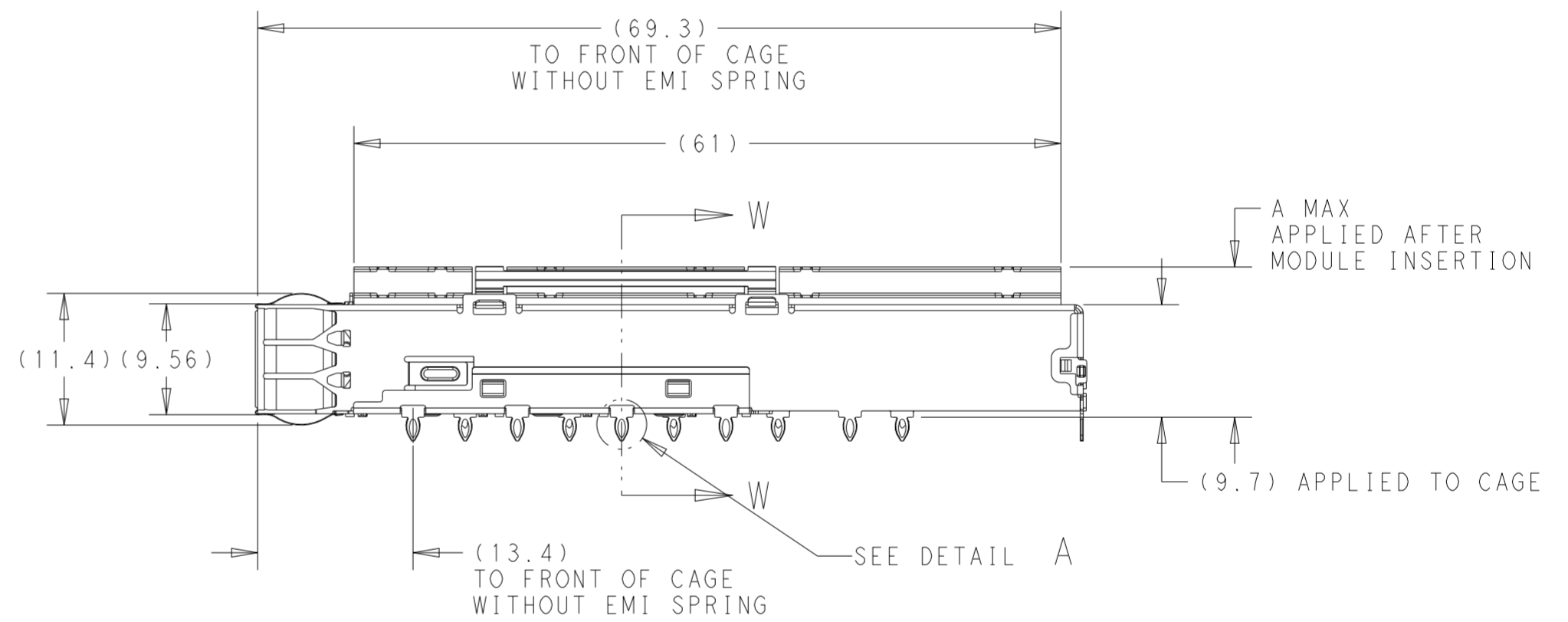
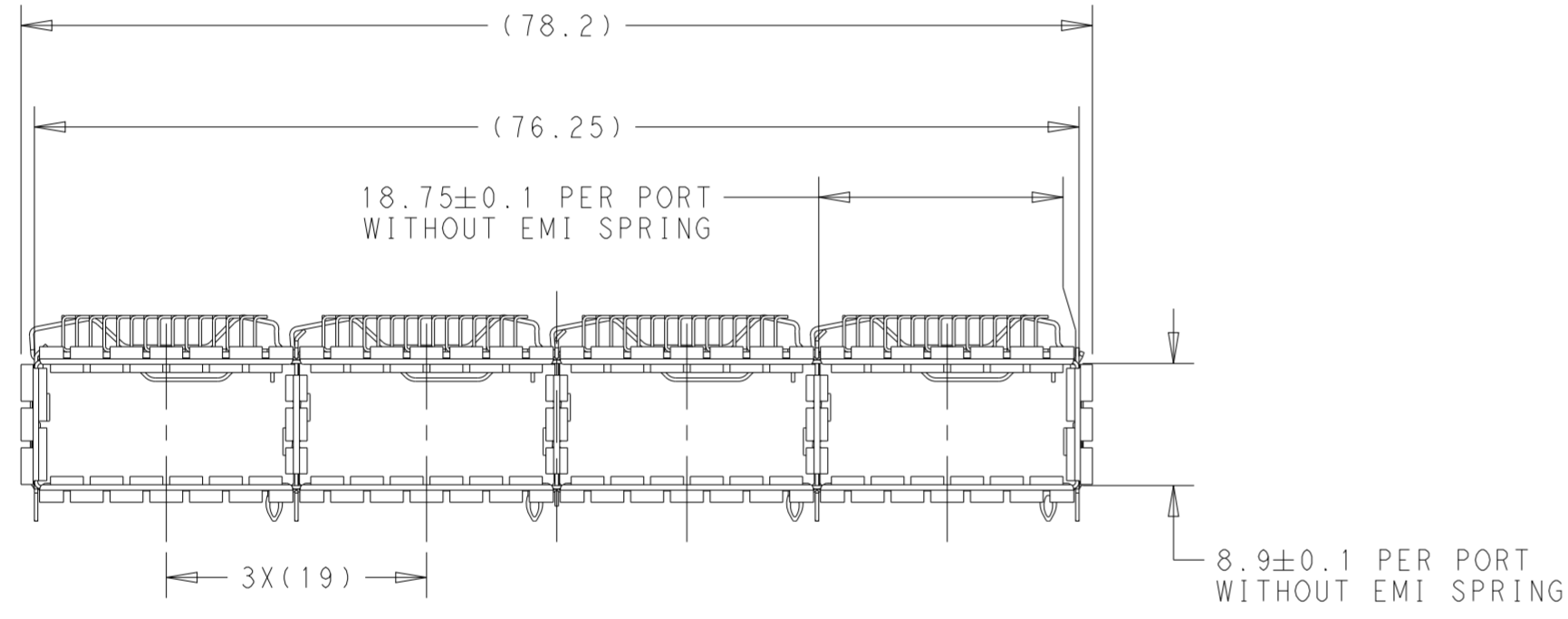


2343989-1 AS SHOWN



DETAIL A
SCALE 8:1

- 1 CAGE ASSEMBLY: STAINLESS STEEL.
HEAT SINK: ALUMINUM/NICKEL PLATE.
HEAT SINK CLIP: STAINLESS STEEL.
EMI SPRING: COPPER ALLOY/NICKEL PLATE.
- 2 REFERENCE APPLICATION SPECIFICATION 114-32023 FOR RECOMMENDED DRILL HOLE DIAMETER AND PLATING THICKNESS. BOARD LAYOUT PER THIS PRINT.
- 3 DATUM AND BASIC DIMENSION ESTABLISHED BY CUSTOMER.
- 4 DATE CODE (YYWW) MARKED APPROXIMATELY AS SHOWN.
- 5. MATES WITH QSFP DD MSA COMPATIBLE TRANSCEIVER.
- 6. MINIMUM PC BOARD THICKNESS: SINGLE SIDED: 1.45 MIN
DOUBLE SIDED: 2.20 MIN
- 7 ONLY FOR VERSION WITH REAR EONS



For 2343989-1/-2-3 WITH REAR EONS
SECTION W-W

VERSION	DIM A	PART NUMBER
W REAR EONS	15.5	2343989-7
W/O REAR EONS	23	1-2343989-3
W/O REAR EONS	16	1-2343989-2
W/O REAR EONS	13.7	1-2343989-1
W REAR EONS	19.75	2343989-6
W REAR EONS	15.55	2343989-5
W REAR EONS	23	2343989-3
W REAR EONS	16	2343989-2
W REAR EONS	13.7	2343989-1

THIS DRAWING IS A CONTROLLED DOCUMENT.

DWN	J. WANG	10OCT2018
CHK	S. HAN	10OCT2018
APVD	S. HAN	10OCT2018

TE Connectivity

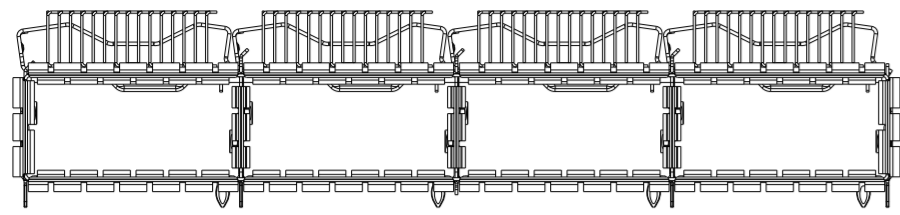
NAME: CAGE WITH HEATSINK THRU BEZEL, 1X4, QSFP DD

SIZE	CAGE CODE	DRAWING NO	RESTRICTED TO
A2	-	2343989	-

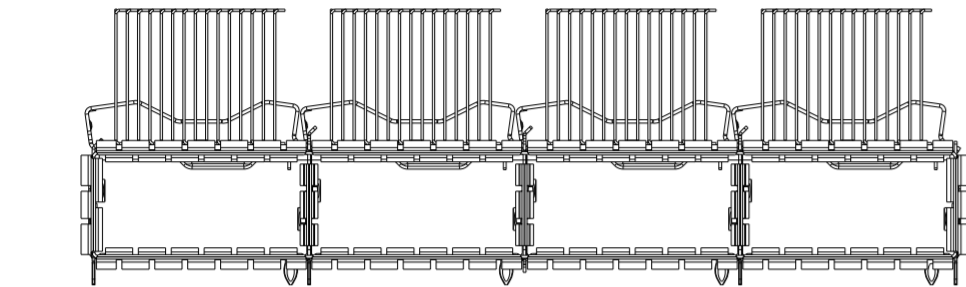
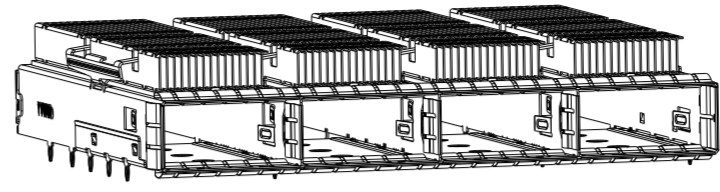
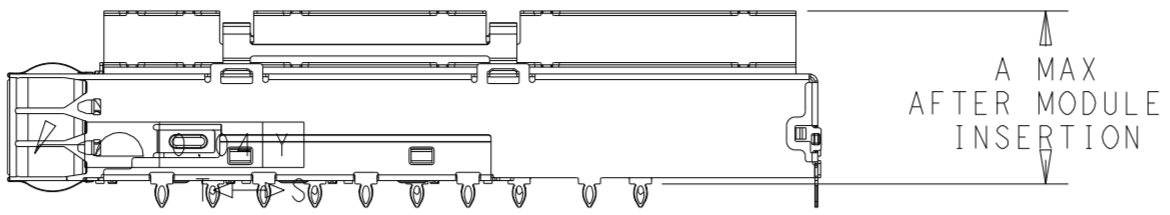
CUSTOMER DRAWING SCALE 2:1 SHEET 1 OF 7 REV A1

THIS DRAWING IS UNPUBLISHED. RELEASED FOR PUBLICATION 20
 © COPYRIGHT 20 BY - ALL RIGHTS RESERVED.

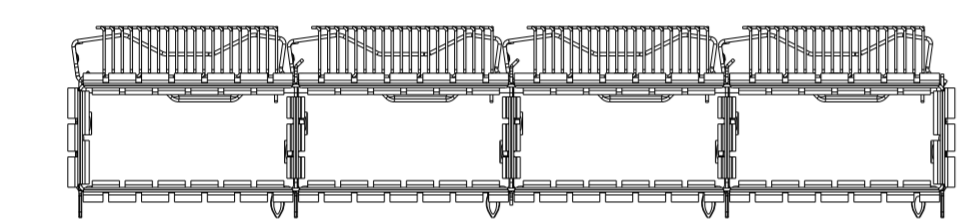
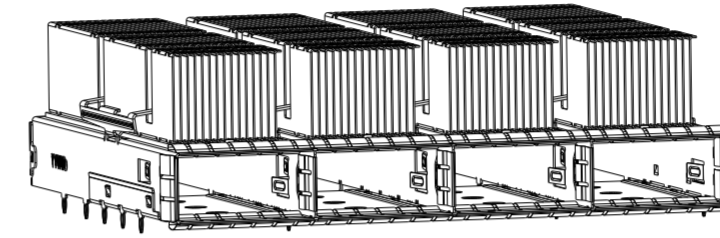
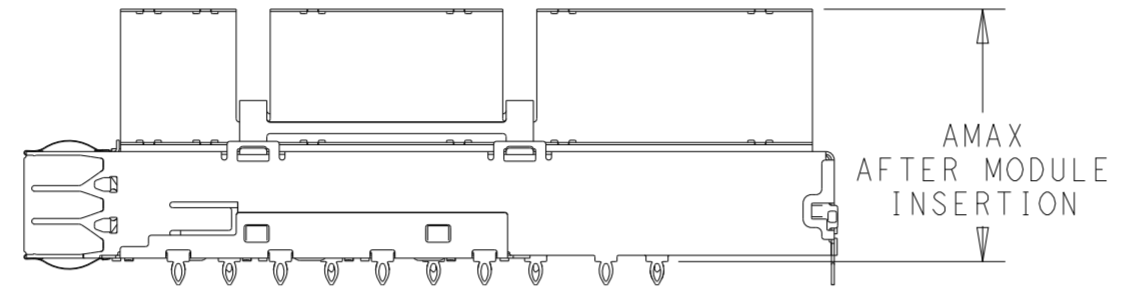
REVISIONS				
P	LTR	DESCRIPTION	DATE	APVD
-		SEE SHEET 1	-	-



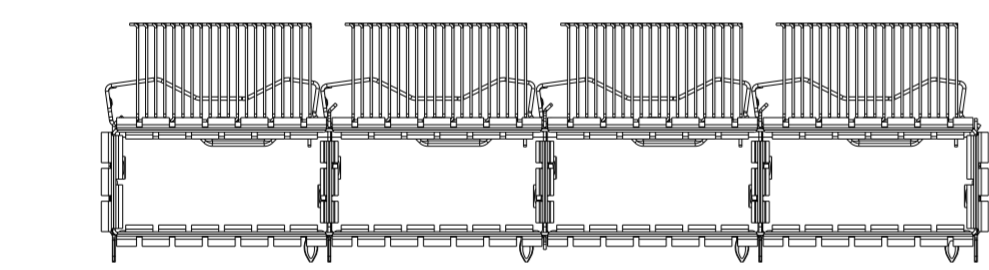
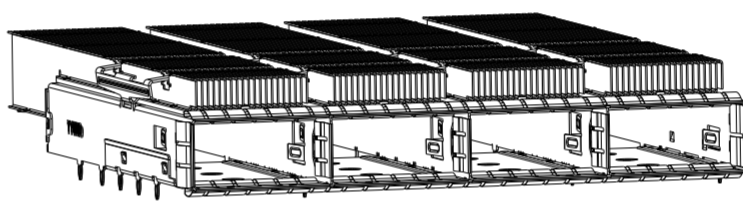
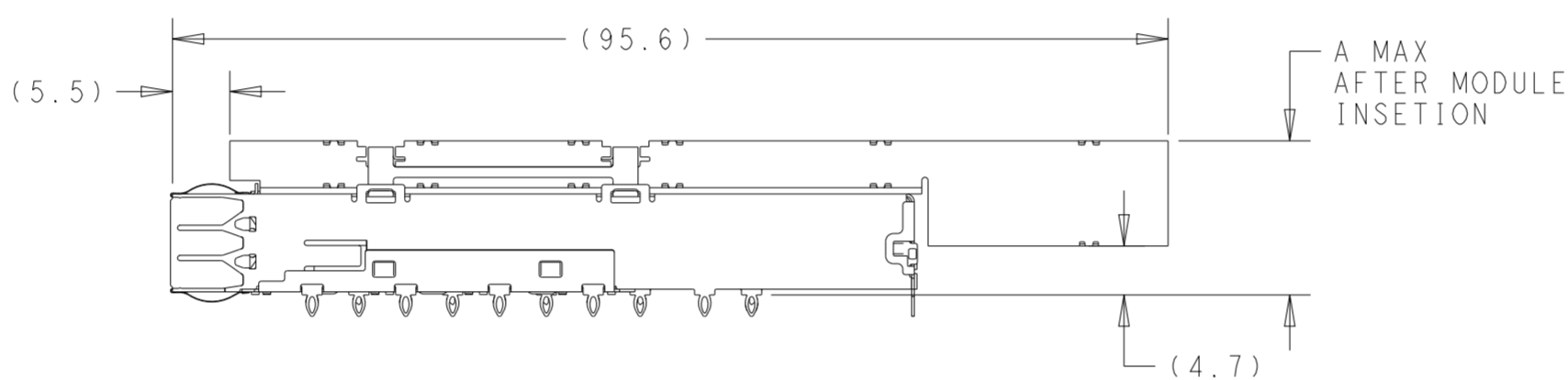
2343989-2
 UNMARKED DIMENSIONS SAME AS 2343989-1
 SCALE 3:2



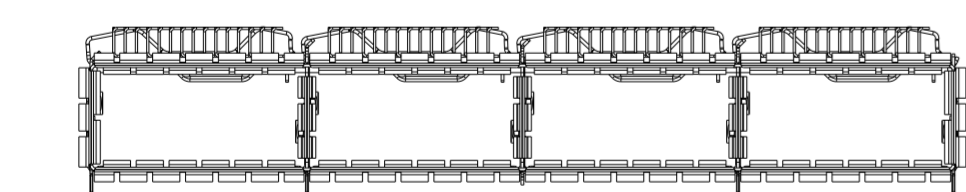
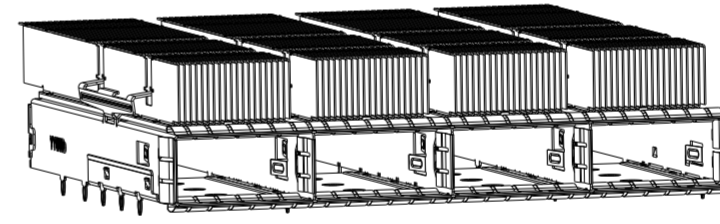
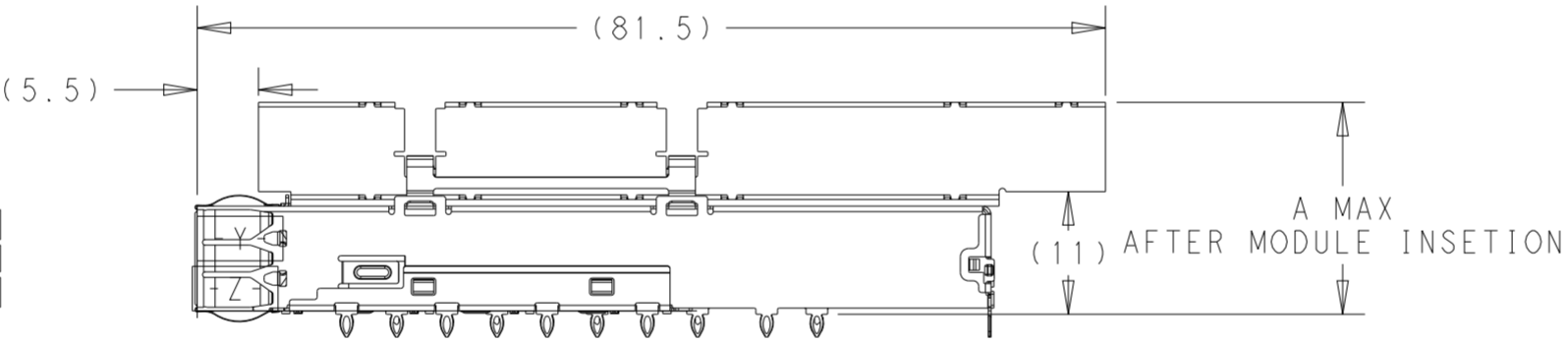
2343989-3
 UNMARKED DIMENSIONS SAME AS 2343989-1
 SCALE 3:2



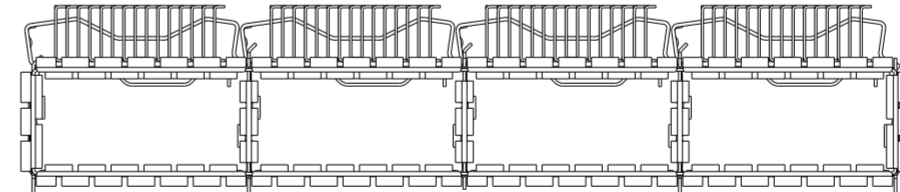
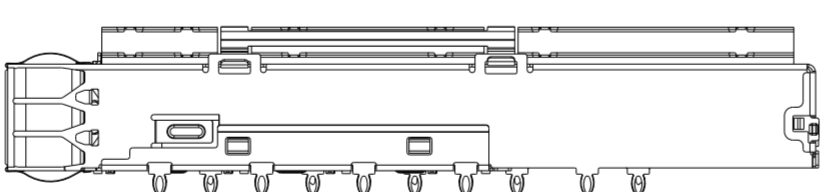
2343989-5
 UNMARKED DIMENSIONS SAME AS 2343989-3
 SCALE 3:2



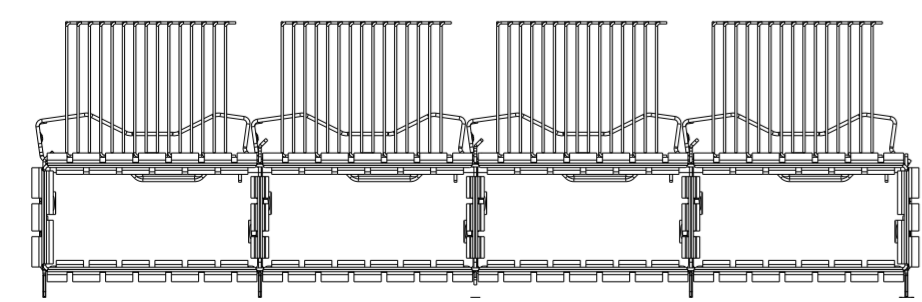
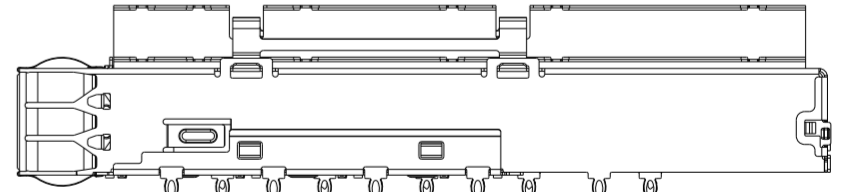
2343989-6
 UNMARKED DIMENSIONS SAME AS 2343989-3
 SCALE 3:2



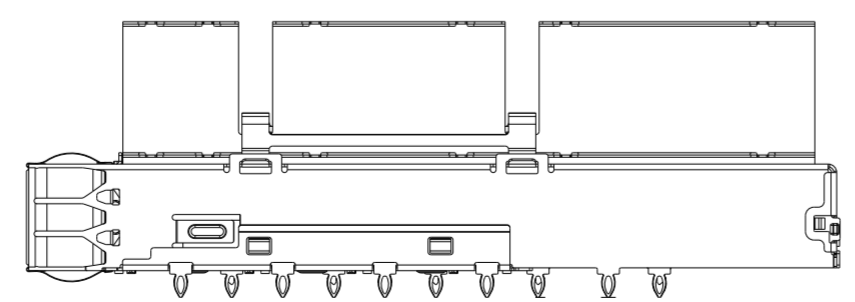
1-2343989-1
 WITHOUT REAR BEZELS
 UNMARKED DIMENSIONS SAME AS 2343989-1
 SCALE 3:2




1-2343989-2
 WITHOUT REAR BEZELS
 UNMARKED DIMENSIONS SAME AS 2343989-2
 SCALE 3:2



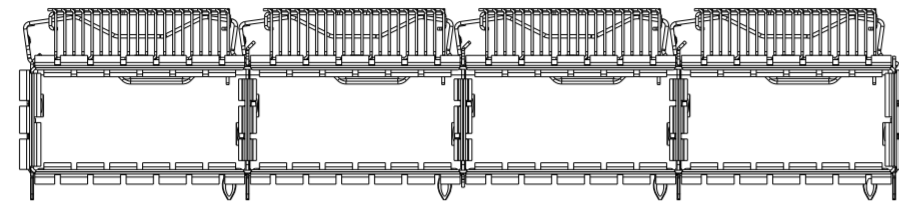
1-2343989-3
 WITHOUT REAR BEZELS
 UNMARKED DIMENSIONS SAME AS 2343989-3
 SCALE 3:2



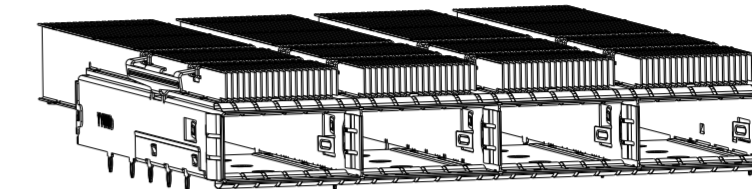
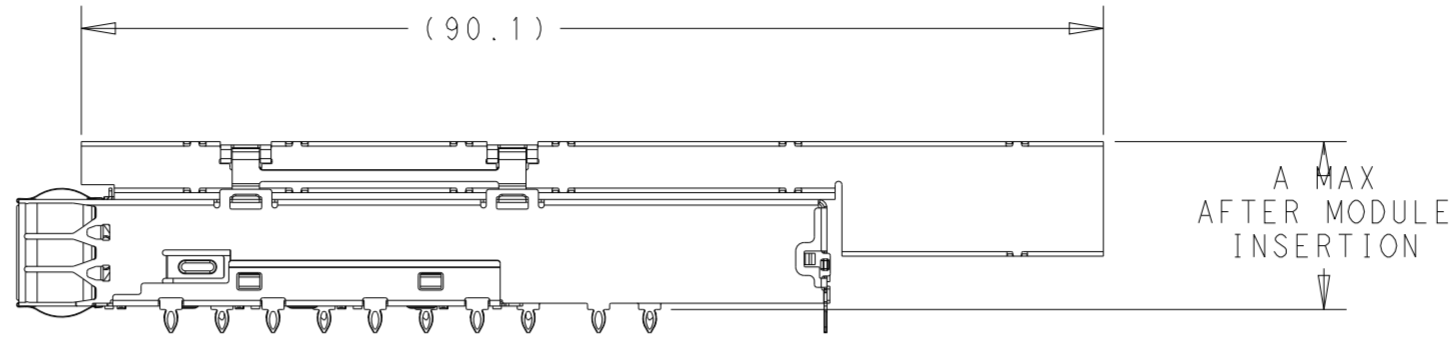
THIS DRAWING IS A CONTROLLED DOCUMENT.		DWN J. WANG 10OCT2018	 TE Connectivity	NAME CAGE WITH HEATSINK THRU BEZEL, 1X4, QSFP DD	
DIMENSIONS:		CHK S. HAN 10OCT2018		SIZE A2	
TOLERANCES UNLESS OTHERWISE SPECIFIED:		APVD S. HAN 10OCT2018		CAGE CODE -	
mm		PRODUCT SPEC -		DRAWING NO C-2343989	
0 PLC ±0.25 1 PLC ±0.25 2 PLC ±0.25 3 PLC ± 4 PLC ± ANGLES ± FINISH ±		APPLICATION SPEC -	RESTRICTED TO -		
MATERIAL -		WEIGHT -	SCALE 2:1 SHEET 2 OF 7 REV A1		
		CUSTOMER DRAWING			


THIS DRAWING IS UNPUBLISHED. RELEASED FOR PUBLICATION 20
 © COPYRIGHT 20 BY - ALL RIGHTS RESERVED.

REVISIONS				
P	LTR	DESCRIPTION	DATE	APVD
-		SEE SHEET 1	-	-



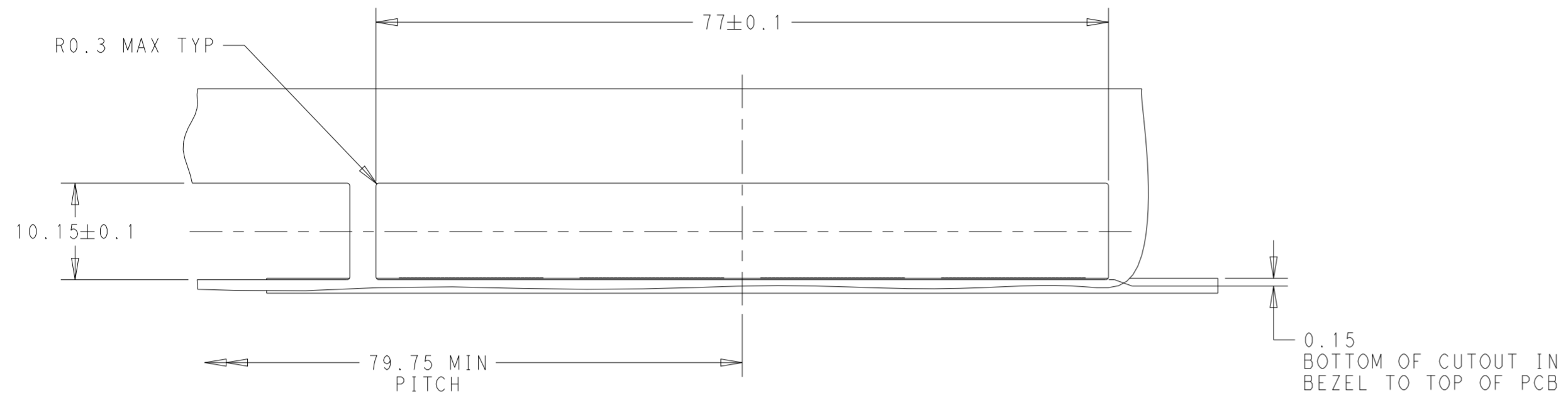
2343989-7 AS SHOWN
 SAME AS -1 EXCEPT HEAT SINK
 SCALE 3:2



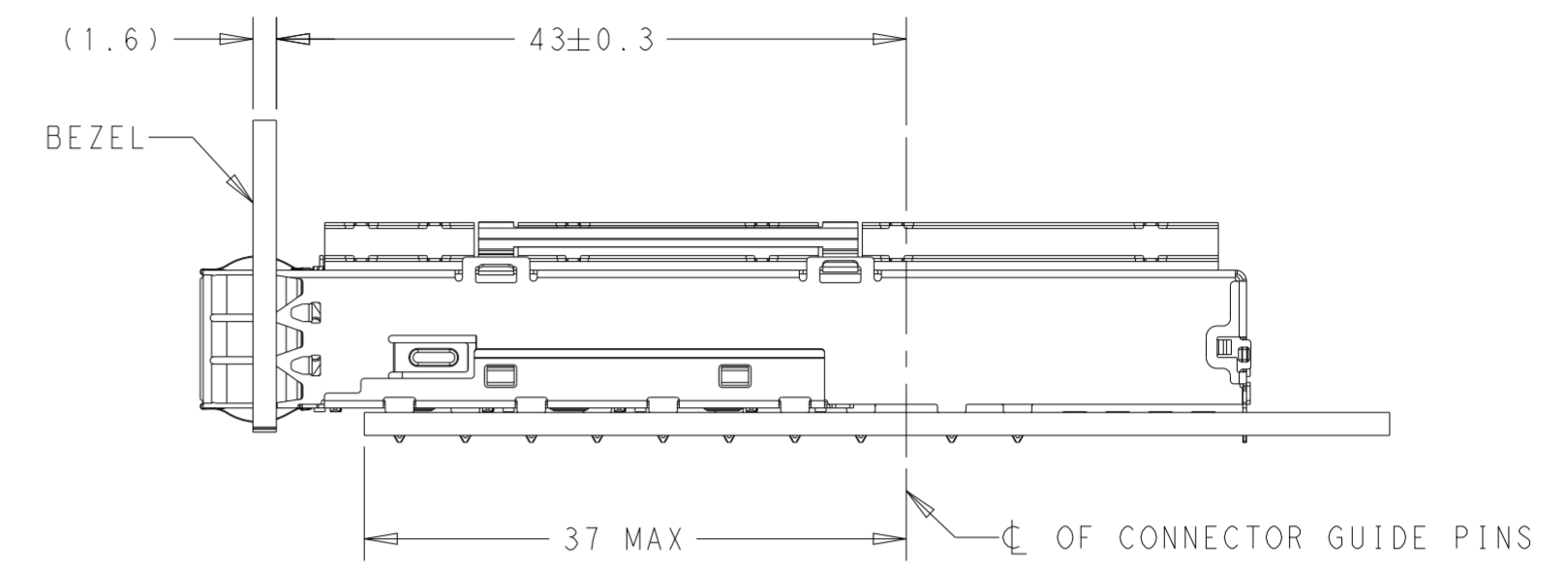
THIS DRAWING IS A CONTROLLED DOCUMENT.		DWN J. WANG 10OCT2018	 TE Connectivity	
DIMENSIONS: mm		CHK S. HAN 10OCT2018		
TOLERANCES UNLESS OTHERWISE SPECIFIED:		APVD S. HAN 10OCT2018	NAME CAGE WITH HEATSINK THRU BEZEL, 1X4, QSFP DD	
0 PLC ±0.25 1 PLC ±0.25 2 PLC ±0.25 3 PLC ± 4 PLC ± ANGLES ± FINISH ±		PRODUCT SPEC -	RESTRICTED TO -	
MATERIAL -		APPLICATION SPEC -	SIZE A2	CAGE CODE -
		WEIGHT -	DRAWING NO C-2343989	SCALE 2:1
		CUSTOMER DRAWING	SHEET 3 OF 7	REV A1

THIS DRAWING IS UNPUBLISHED. RELEASED FOR PUBLICATION 20
 © COPYRIGHT 20 BY - ALL RIGHTS RESERVED.

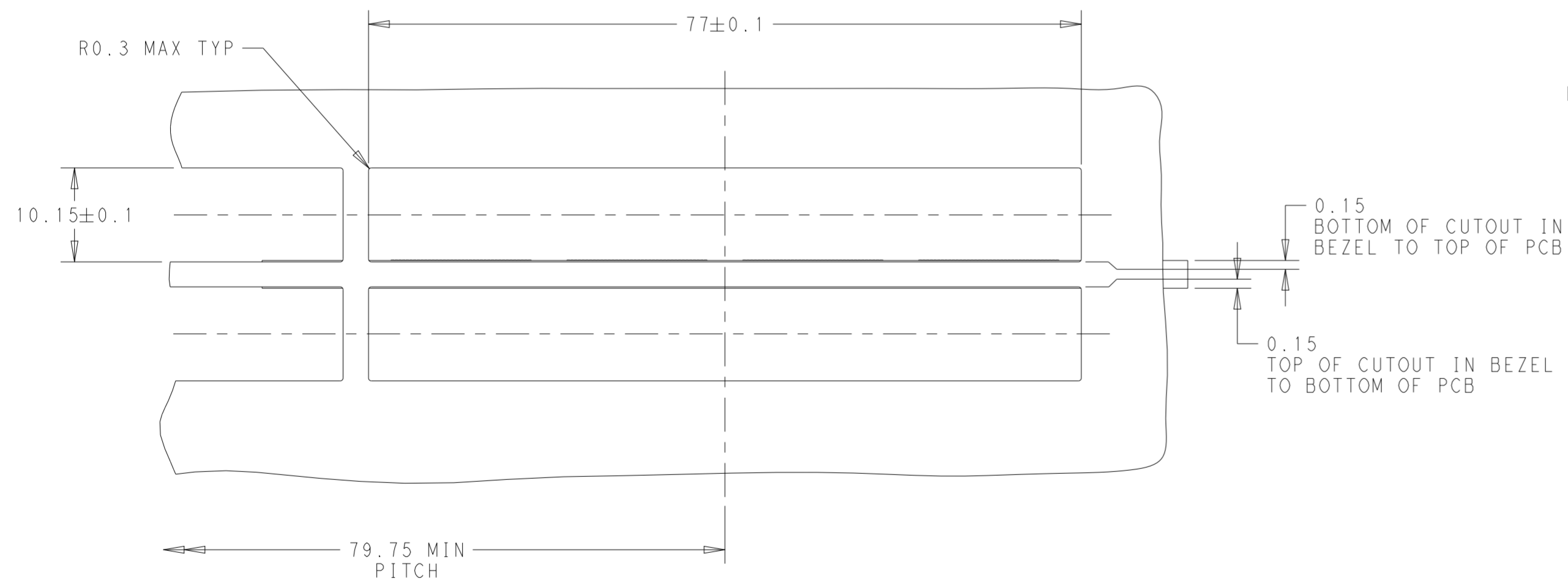
REVISIONS				
P	LTR	DESCRIPTION	DATE	APVD
-	-	SEE SHEET 1	-	-



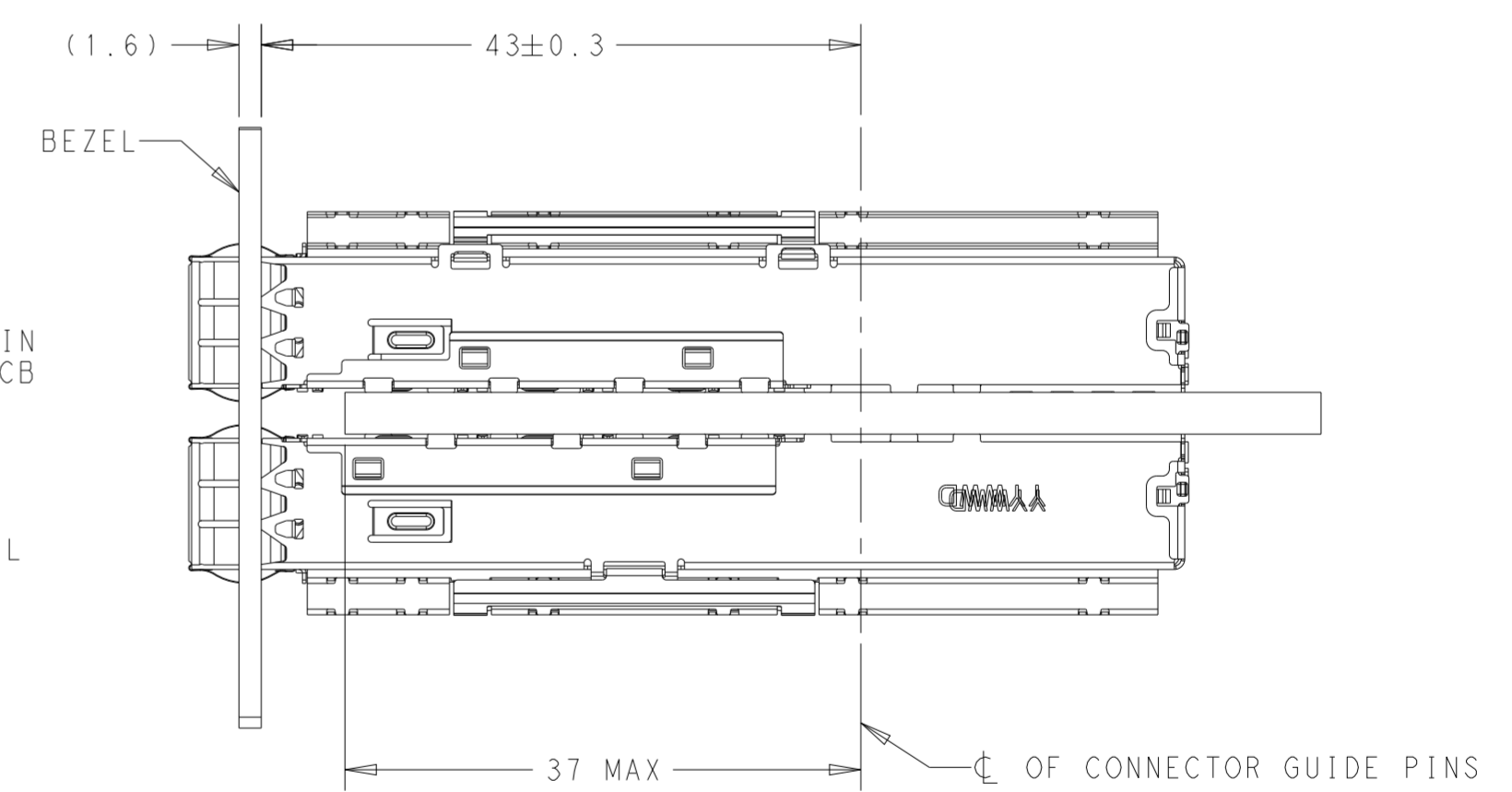
CAGE ASSEMBLY OMITTED FOR CLARITY



SINGLE SIDE MOUNTING



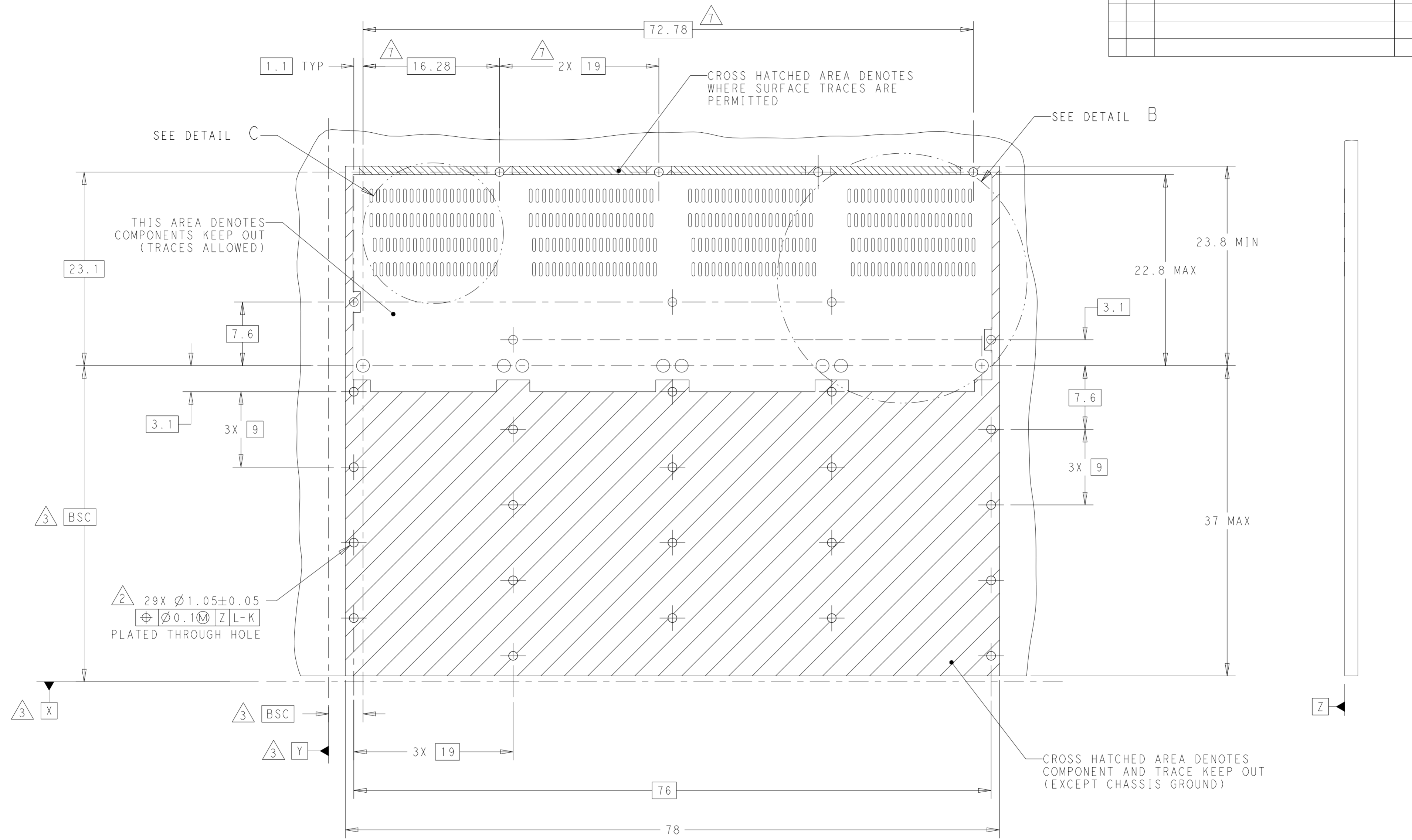
CAGE ASSEMBLY OMITTED FOR CLARITY



BELLY TO BELLY MOUNTING

THIS DRAWING IS A CONTROLLED DOCUMENT.		DWN J. WANG 10OCT2018	TE Connectivity	
DIMENSIONS: mm		CHK S. HAN 10OCT2018		
TOLERANCES UNLESS OTHERWISE SPECIFIED:		APVD S. HAN 10OCT2018	NAME CAGE WITH HEATSINK THRU BEZEL, 1X4, QSFP DD	
0 PLC	±0.25	PRODUCT SPEC	SIZE	CAGE CODE
1 PLC	±0.25	APPLICATION SPEC	A2	-
2 PLC	±0.25	WEIGHT	SCALE	DRAWING NO
3 PLC	±	CUSTOMER DRAWING	2:1	C-2343989
4 PLC	±	RESTRICTED TO	SHEET	4 OF 7
ANGLES	±	REV	A1	
FINISH	-			

REVISIONS				
P	LTR	DESCRIPTION	DATE	APVD
-	-	SEE SHEET 1	-	-

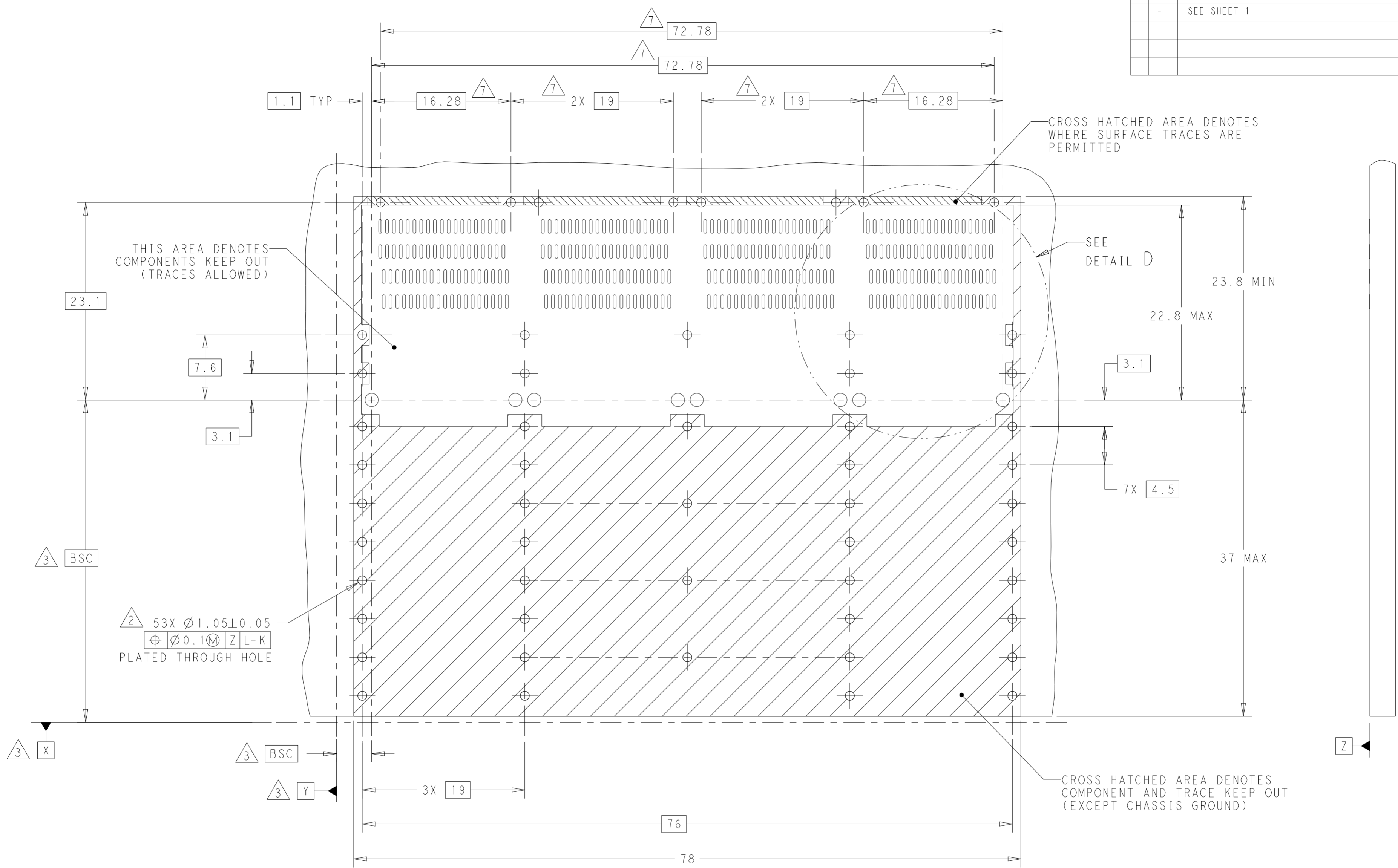


RECOMMENDED PCB LAYOUT
 SINGLE TYPE
 SCALE 3:1

THIS DRAWING IS A CONTROLLED DOCUMENT.		DWN J. WANG	10OCT2018	 TE Connectivity	NAME CAGE WITH HEATSINK THRU BEZEL, 1X4, QSFP DD
DIMENSIONS: mm		CHK S. HAN	10OCT2018		
		APVD S. HAN	10OCT2018		
TOLERANCES UNLESS OTHERWISE SPECIFIED:		PRODUCT SPEC		SIZE	RESTRICTED TO
0 PLC	± 0.25	APPLICATION SPEC		A2	-
1 PLC	± 0.25	WEIGHT		-	-
2 PLC	± 0.25	CUSTOMER DRAWING		SCALE	2:1
3 PLC	\pm	SHEET		5	7
4 PLC	\pm	REV		A1	
ANGLES	\pm				
FINISH	\pm				

THIS DRAWING IS UNPUBLISHED. RELEASED FOR PUBLICATION 20
 © COPYRIGHT 20 BY - ALL RIGHTS RESERVED.

REVISIONS				
P	LTR	DESCRIPTION	DATE	APVD
-	-	SEE SHEET 1	-	-



THIS AREA DENOTES COMPONENTS KEEP OUT (TRACES ALLOWED)

CROSS HATCHED AREA DENOTES WHERE SURFACE TRACES ARE PERMITTED

SEE DETAIL D

53X $\varnothing 1.05 \pm 0.05$
 $\varnothing 0.1$ Z L-K
 PLATED THROUGH HOLE

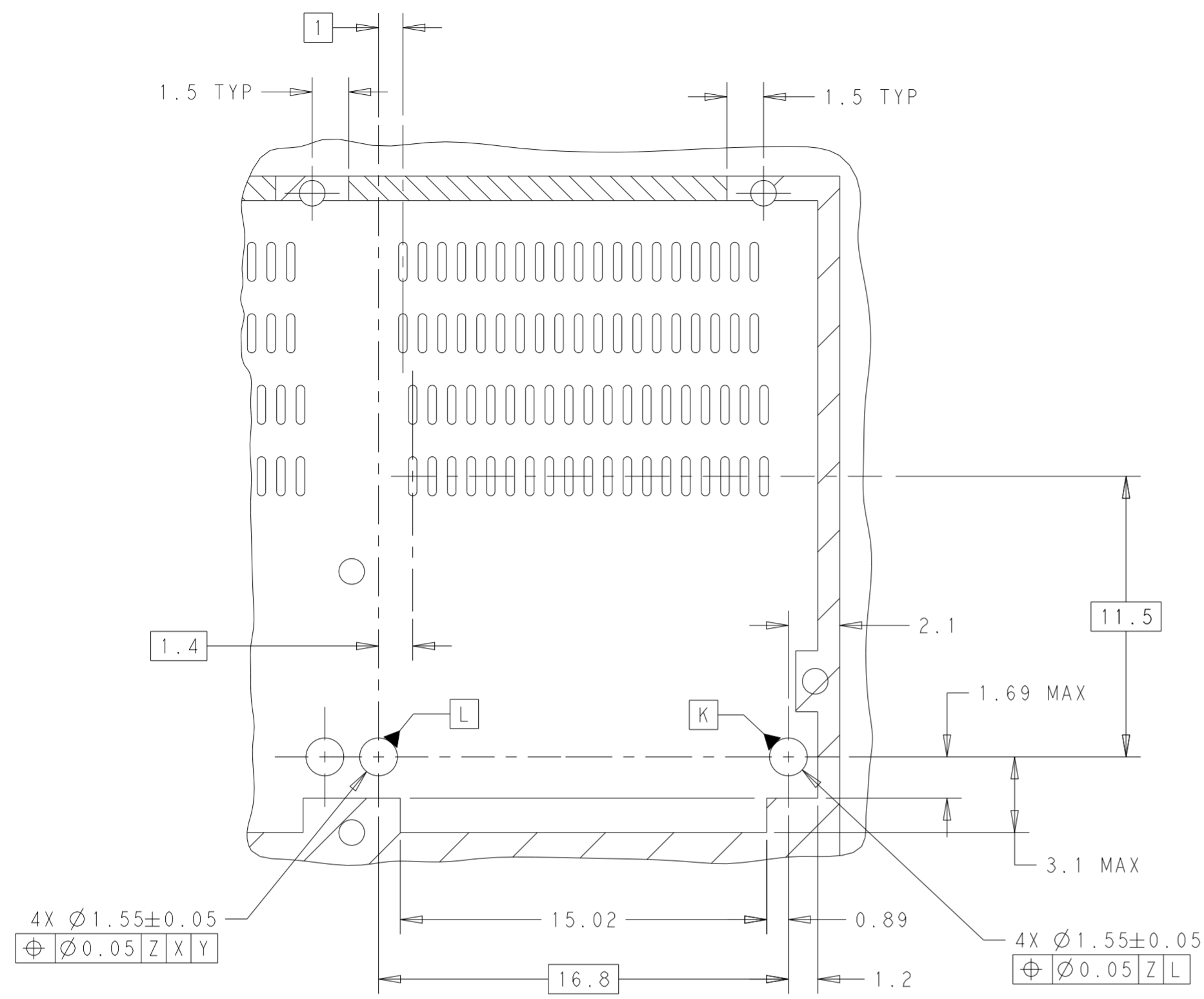
CROSS HATCHED AREA DENOTES COMPONENT AND TRACE KEEP OUT (EXCEPT CHASSIS GROUND)

RECOMMENDED PCB LAYOUT
 BELLY TO BELLY
 SCALE 3:1

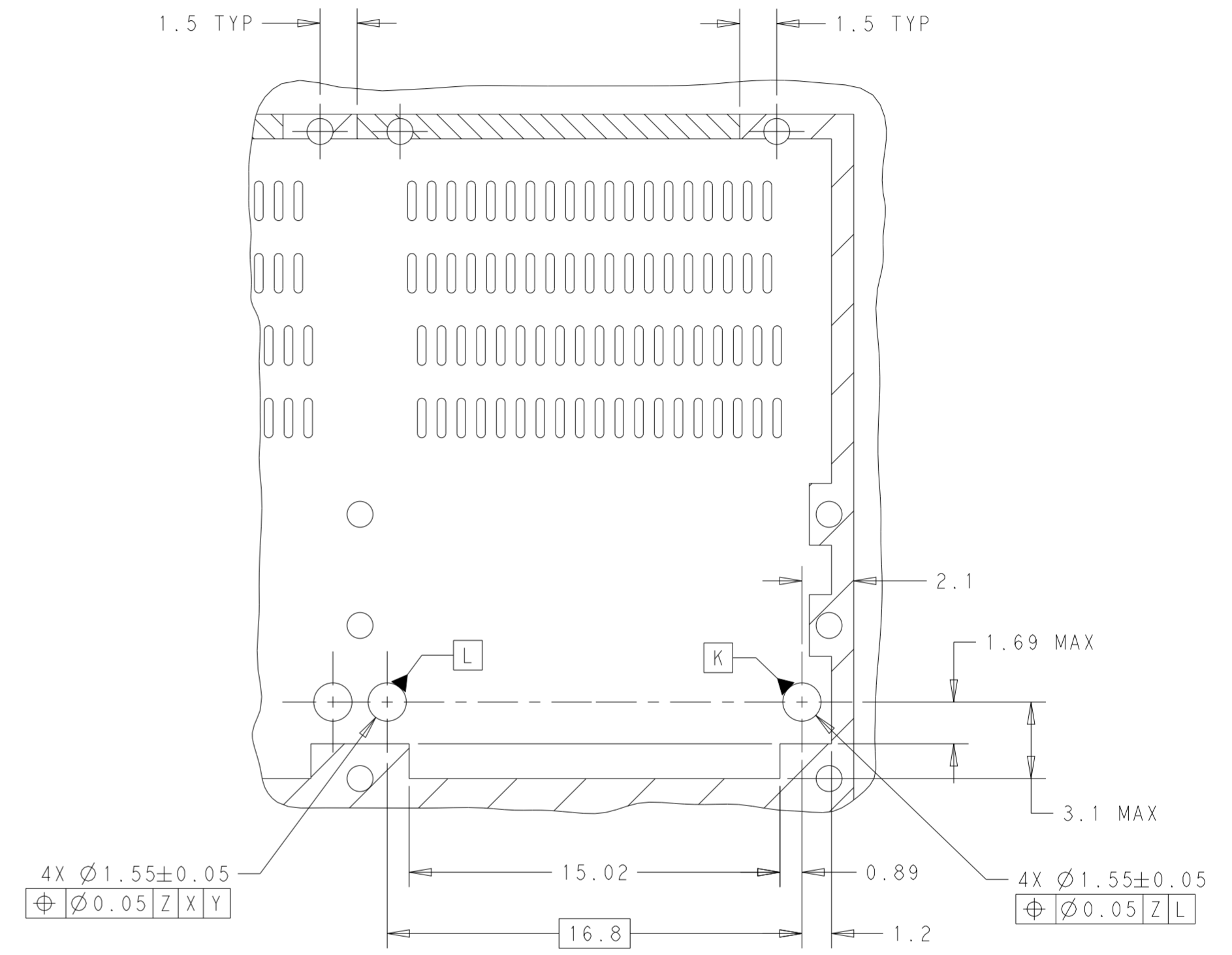
THIS DRAWING IS A CONTROLLED DOCUMENT.		DWN J. WANG 10OCT2018	TE Connectivity
DIMENSIONS: mm		CHK S. HAN 10OCT2018	
TOLERANCES UNLESS OTHERWISE SPECIFIED:		APVD S. HAN 10OCT2018	NAME CAGE WITH HEATSINK THRU BEZEL, 1X4, QSFP DD
0 PLC ± 0.25	1 PLC ± 0.25	PRODUCT SPEC	SIZE A2
2 PLC ± 0.25	3 PLC \pm	APPLICATION SPEC	CAGE CODE -
4 PLC \pm	ANGLES \pm	WEIGHT	DRAWING NO C-2343989
MATERIAL	FINISH	CUSTOMER DRAWING	RESTRICTED TO -
		SCALE 2:1	SHEET 6 OF 7
		REV A1	

THIS DRAWING IS UNPUBLISHED. RELEASED FOR PUBLICATION 20
 © COPYRIGHT 20 BY - ALL RIGHTS RESERVED.

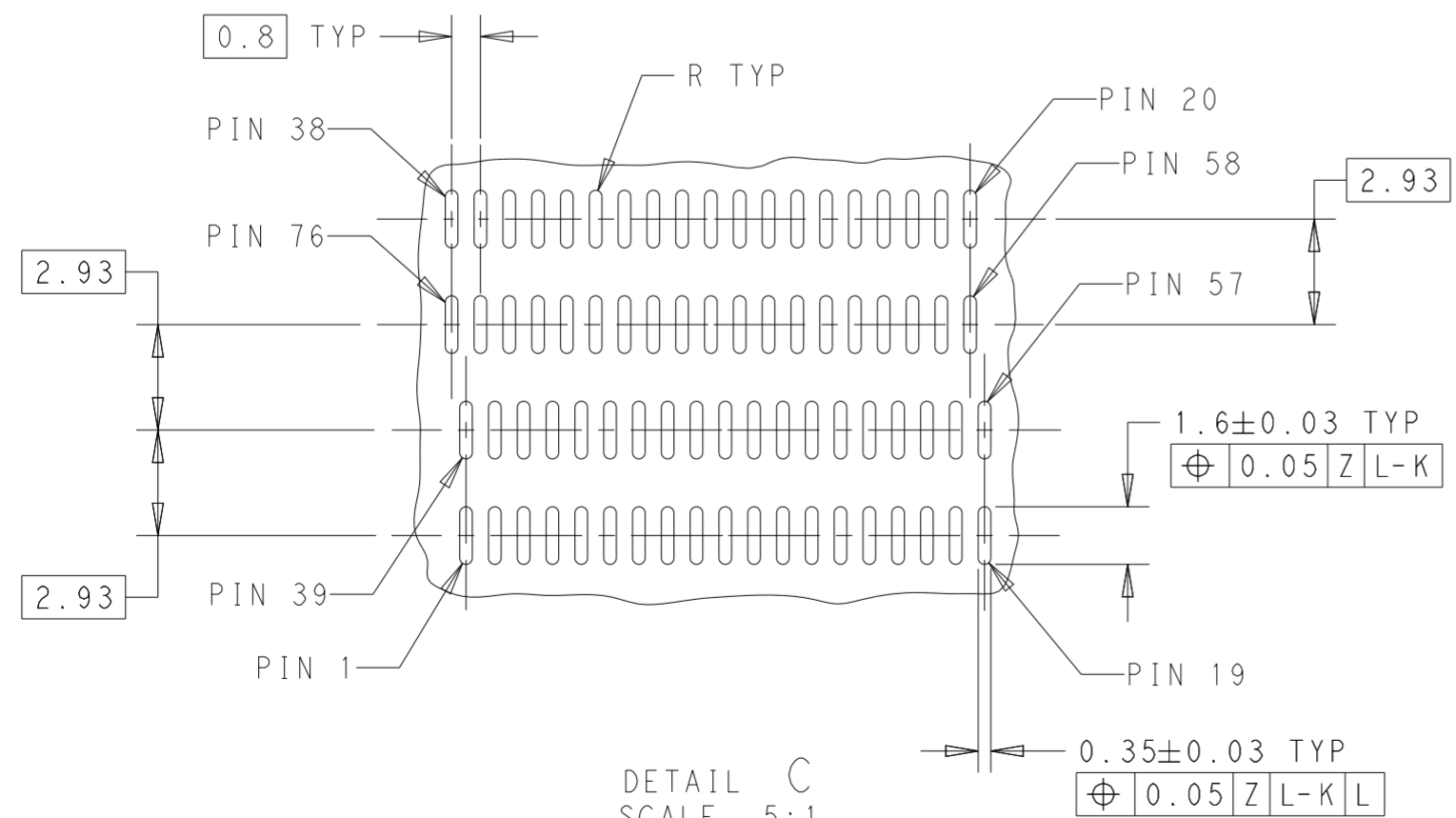
REVISIONS				
P	LTR	DESCRIPTION	DATE	APVD
-	-	SEE SHEET 1	-	-



DETAIL B
SCALE 5:1



DETAIL D
SCALE 5:1



DETAIL C
SCALE 5:1

THIS DRAWING IS A CONTROLLED DOCUMENT.		DWN J. WANG 10OCT2018	 TE Connectivity	NAME CAGE WITH HEATSINK THRU BEZEL, 1X4, QSFP DD		
DIMENSIONS: mm		CHK S. HAN 10OCT2018		PRODUCT SPEC -	SIZE A2	CAGE CODE -
TOLERANCES UNLESS OTHERWISE SPECIFIED: 0 PLC ±0.25 1 PLC ±0.25 2 PLC ±0.25 3 PLC ± 4 PLC ± ANGLES ± FINISH ±		APVD S. HAN 10OCT2018		APPLICATION SPEC -	DRAWING NO C-2343989	RESTRICTED TO -
MATERIAL -		WEIGHT -		CUSTOMER DRAWING	SCALE 2:1	SHEET 7 OF 7