

# NB7VQ1006M

## 1.8 V / 2.5 V 10 Gbps Equalizer Receiver with 1:6 Differential CML Outputs

### Multi-Level Inputs W / Internal Termination

#### Description

The NB7VQ1006M is a high performance differential 1:6 CML fanout buffer with a selectable Equalizer receiver. When placed in series with a Data path operating up to 10 Gb/s, the NB7VQ1006M will compensate the degraded data signal transmitted across a FR4 PCB backplane or cable interconnect and output six identical CML copies of the input signal. Therefore, the serial data rate is increased by reducing Inter-Symbol Interference (ISI) caused by losses in copper interconnect or long cables.

The Equalizer Enable pin (EQEN) allows the IN/IN inputs to either flow through or bypass the Equalizer section. Control of the Equalizer function is realized by setting EQEN; When EQEN is set Low, the IN/IN inputs bypass the Equalizer. When EQEN is set High, the IN/IN inputs flow through the Equalizer. The default state at startup is LOW. As such, the NB7VQ1006M is ideal for SONET, GigE, Fiber Channel, Backplane and other Data distribution applications.

The differential inputs incorporate internal 50 Ω termination resistors that are accessed through the VT pin. This feature allows the NB7VQ1006M to accept various logic level standards, such as LVPECL, CML or LVDS. This feature provides transmission line termination at the receiver, eliminating external components. The outputs have the flexibility of being powered by either a 1.8 V or 2.5 V supply.

The NB7VQ1006M is a member of the GigaComm™ family of high performance Clock/Data products.

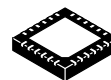
#### Features

- Maximum Input Data Rate > 10 Gbps
- Maximum Input Clock Frequency > 7.5 GHz
- Backplane and Cable Interconnect Compensation
- 225 ps Typical Propagation Delay
- 30 ps Typical Rise and Fall Times
- Differential CML Outputs, 400 mV Peak-to-Peak, Typical
- Operating Range:  $V_{CC} = 1.71 \text{ V}$  to  $2.625 \text{ V}$ ,  $GND = 0 \text{ V}$
- Internal Input Termination Resistors, 50 Ω
- QFN-24 Package, 4 mm x 4 mm
- -40°C to +85°C Ambient Operating Temperature
- This Device is Pb-Free, Halogen Free and is RoHS Compliant



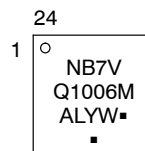
ON Semiconductor®

[www.onsemi.com](http://www.onsemi.com)



QFN-24  
MN SUFFIX  
CASE 485L

#### MARKING DIAGRAM\*

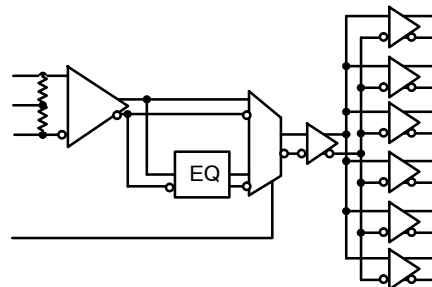


- A = Assembly Location
- L = Wafer Lot
- Y = Year
- W = Work Week
- = Pb-Free Package

(Note: Microdot may be in either location)

\*For additional marking information, refer to Application Note [AND8002/D](#).

#### SIMPLIFIED BLOCK DIAGRAM



#### ORDERING INFORMATION

Device	Package	Shipping†
NB7VQ1006MMNG	QFN-24 (Pb-Free)	92 Units / Tube
NB7VQ1006MMNTXG	QFN-24 (Pb-Free)	3000 Tape & Reel

†For information on tape and reel specifications, including part orientation and tape sizes, please refer to our Tape and Reel Packaging Specifications Brochure, [BRD8011/D](#).

# NB7VQ1006M

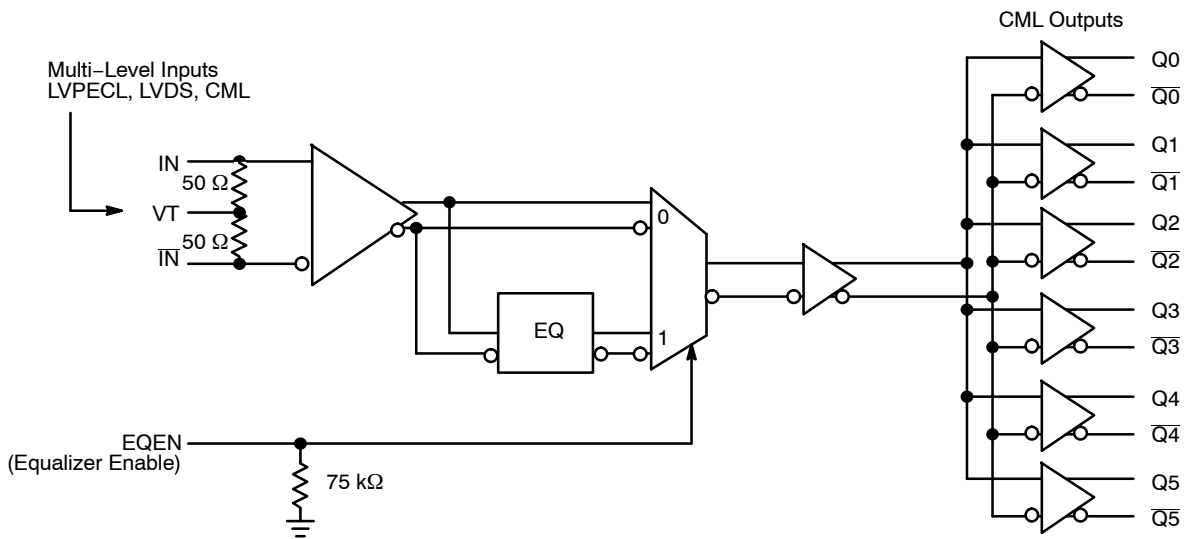


Figure 1. Detailed Block Diagram of NB7VQ1006M

Table 1. EQUALIZER ENABLE FUNCTION

EQEN	Function
0	IN/ $\overline{IN}$ Inputs Bypass the EQualizer Section
1	IN/ $\overline{IN}$ Inputs Flow through the EQualizer Section

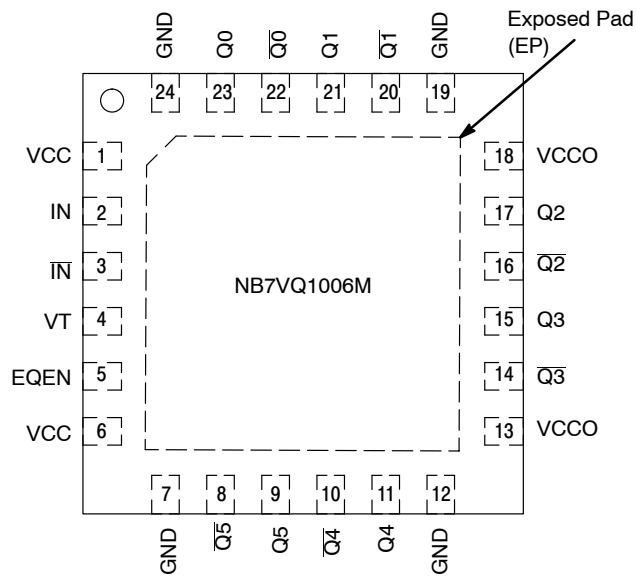


Figure 2. QFN-24 Lead Pinout (Top View)

# NB7VQ1006M

**Table 2. PIN DESCRIPTION**

Pin	Name	I/O	Description
1	VCC		Positive Supply Voltage for the Core Logic
2	IN	LVPECL, CML, LVDS Input	Non-inverted Differential Clock/Data Input. (Note 1)
3	$\overline{\text{IN}}$	LVPECL, CML, LVDS Input	Inverted Differential Clock/Data Input. (Note 1)
4	VT		Internal 50 $\Omega$ Termination Pin for IN and $\overline{\text{IN}}$
5	EQEN	LVCMOS Input	Equalizer Enable Input; pin will default LOW when left open (has internal pull-down resistor)
6	VCC		Positive Supply Voltage for the Core Logic
7	GND		Negative Supply Voltage
8	$\overline{\text{Q5}}$	CML	Inverted Differential Output. Typically terminated with 50 $\Omega$ resistor to $V_{\text{CC}}$ .
9	Q5	CML	Non-inverted Differential Output. Typically terminated with 50 $\Omega$ resistor to $V_{\text{CC}}$ .
10	$\overline{\text{Q4}}$	CML	Inverted Differential Output. Typically terminated with 50 $\Omega$ resistor to $V_{\text{CC}}$ .
11	Q4	CML	Non-inverted Differential Output. Typically terminated with 50 $\Omega$ resistor to $V_{\text{CC}}$ .
12	GND		Negative Supply Voltage
13	VCCO		Positive Supply Voltage for the pre-amplifier and output buffer
14	$\overline{\text{Q3}}$	CML	Inverted Differential Output. Typically terminated with 50 $\Omega$ resistor to $V_{\text{CC}}$ .
15	Q3	CML	Non-inverted Differential Output. Typically terminated with 50 $\Omega$ resistor to $V_{\text{CC}}$ .
16	$\overline{\text{Q2}}$	CML	Inverted Differential Output. Typically terminated with 50 $\Omega$ resistor to $V_{\text{CC}}$ .
17	Q2	CML	Non-inverted Differential Output. Typically terminated with 50 $\Omega$ resistor to $V_{\text{CC}}$ .
18	VCCO		Positive Supply Voltage for the pre-amplifier and output buffer
19	GND		Negative Supply Voltage
20	$\overline{\text{Q1}}$	CML	Inverted Differential Output. Typically terminated with 50 $\Omega$ resistor to $V_{\text{CC}}$ .
21	Q1	CML	Non-inverted Differential Output. Typically terminated with 50 $\Omega$ resistor to $V_{\text{CC}}$ .
22	$\overline{\text{Q0}}$	CML	Inverted Differential Output. Typically terminated with 50 $\Omega$ resistor to $V_{\text{CC}}$ .
23	Q0	CML	Non-inverted Differential Output. Typically terminated with 50 $\Omega$ resistor to $V_{\text{CC}}$ .
24	GND		Negative Supply Voltage
-	EP	-	The Exposed Pad (EP) on the QFN-24 package bottom is thermally connected to the die for improved heat transfer out of package. The exposed pad must be attached to a heat-sinking conduit. The pad is electrically connected to GND and is recommended to be electrically connected to GND on the PC board.

1. In the differential configuration when the input termination pin (VT) is connected to a common termination voltage or left open, and if no signal is applied on IN/ $\overline{\text{IN}}$ , then the device will be susceptible to self-oscillation.
2. All VCC, VCCO and GND pins must be externally connected to the same power supply voltage to guarantee proper device operation.

# NB7VQ1006M

**Table 3. ATTRIBUTES**

Characteristics	Value
ESD Protection Human Body Model Machine Model	> 4 kV > 200 V
Moisture Sensitivity (Note 1)	Level 1
Flammability Rating Oxygen Index: 28 to 34	UL 94 V-0 @ 0.125 in
Transistor Count	244
Meets or exceeds JEDEC Spec EIA/JESD78 IC Latchup Test	

1. For additional information, see Application Note [AND8003/D](#).

**Table 4. MAXIMUM RATINGS**

Symbol	Parameter	Condition 1	Condition 2	Rating	Unit
$V_{CC}$ , $V_{CCO}$	Positive Power Supply	GND = 0 V		3.0	V
$V_I$	Input Voltage	GND = 0 V		-0.5 to $V_{CC} + 0.5$	V
$V_{INPP}$	Differential Input Voltage $ I_N - \bar{I}_N $			1.89	V
$I_{IN}$	Input Current Through $R_T$ (50 $\Omega$ Resistor)			$\pm 40$	mA
$I_{OUT}$	Output Current Through $R_T$ (50 $\Omega$ Resistor)			$\pm 40$	mA
$T_A$	Operating Temperature Range			-40 to +85	$^{\circ}\text{C}$
$T_{stg}$	Storage Temperature Range			-65 to +150	$^{\circ}\text{C}$
$\theta_{JA}$	Thermal Resistance (Junction-to-Ambient) (Note 1) TGSD 51-6 (2S2P Multilayer Test Board) with Filled Thermal Vias	0 lfpm 500 lfpm	QFN-24 QFN-24	37 32	$^{\circ}\text{C}/\text{W}$
$\theta_{JC}$	Thermal Resistance (Junction-to-Case)	Standard Board	QFN-24	11	$^{\circ}\text{C}/\text{W}$
$T_{sol}$	Wave Solder (Pb-Free)			265	$^{\circ}\text{C}$

Stresses exceeding those listed in the Maximum Ratings table may damage the device. If any of these limits are exceeded, device functionality should not be assumed, damage may occur and reliability may be affected.

1. JEDEC standard multilayer board – 2S2P (2 signal, 2 power) with 8 filled thermal vias under exposed pad.

# NB7VQ1006M

**Table 5. DC CHARACTERISTICS – CML OUTPUT** ( $V_{CC} = V_{CCO} = 1.71\text{ V to }2.625\text{ V}$ ;  $GND = 0\text{ V}$   $T_A = -40^\circ\text{C to }85^\circ\text{C}$ )

Symbol	Characteristic	Min	Typ	Max	Unit
--------	----------------	-----	-----	-----	------

**POWER SUPPLY CURRENT** (Inputs and Outputs open)

$I_{CC}$	Power Supply Current, Core Logic $V_{CC} = 2.5\text{V}$		100	115	mA
$I_{CCO}$	$V_{CC} = 1.8\text{V}$ Power Supply Current, Outputs $V_{CCO} = 2.5\text{V}$ $V_{CCO} = 1.8\text{V}$		85 180 150	95 200 175	

**CML OUTPUTS** (Notes 1 and 2) (Figure 10)

$V_{OH}$	Output HIGH Voltage $V_{CCO} = 2.5\text{ V}$ $V_{CCO} = 1.8\text{ V}$	$V_{CCO} - 40$ 2460 1760	$V_{CCO} - 10$ 2490 1790	$V_{CCO}$ 2500 1800	mV
$V_{OL}$	Output LOW Voltage $V_{CCO} = 2.5\text{V}$ $V_{CCO} = 2.5\text{V}$ $V_{CCO} = 1.8\text{V}$ $V_{CCO} = 1.8\text{V}$	$V_{CCO} - 600$ 1900 $V_{CCO} - 525$ 1275	$V_{CCO} - 500$ 2000 $V_{CCO} - 425$ 1375	$V_{CCO} - 400$ 2100 $V_{CCO} - 300$ 1500	mV

**DATA/CLOCK INPUTS (IN,  $\bar{IN}$ )** (Note 3) (Figures 6 & 7)

$V_{IHD}$	Differential Input HIGH Voltage	1100		$V_{CC}$	mV
$V_{ILD}$	Differential Input LOW Voltage	GND		$V_{CC} - 100$	mV
$V_{ID}$	Differential Input Voltage ( $V_{IHD} - V_{ILD}$ )	100		1200	mV
$I_{IH}$	Input HIGH Current	-150	30	+150	$\mu\text{A}$
$I_{IL}$	Input LOW Current	-150	-40	+150	$\mu\text{A}$

**CONTROL INPUTS (EQEN)**

$V_{IH}$	Input HIGH Voltage	$V_{CC} \times 0.65$		$V_{CC}$	mV
$V_{IL}$	Input LOW Voltage	GND		$V_{CC} \times 0.35$	mV
$I_{IH}$	Input HIGH Current	-150	25	+150	$\mu\text{A}$
$I_{IL}$	Input LOW Current	-150	10	+150	$\mu\text{A}$

**TERMINATION RESISTORS**

$R_{TIN}$	Internal Input Termination Resistor	45	50	55	$\Omega$
$R_{TOUT}$	Internal Output Termination Resistor	45	50	55	$\Omega$

NOTE: Device will meet the specifications after thermal equilibrium has been established when mounted in a test socket or printed circuit board with maintained transverse airflow greater than 500 lfm. Electrical parameters are guaranteed only over the declared operating temperature range. Functional operation of the device exceeding these conditions is not implied. Device specification limit values are applied individually under normal operating conditions and not valid simultaneously.

1. CML outputs loaded with  $50\ \Omega$  to  $V_{CC}$  for proper operation.
2. Input and output parameters vary 1:1 with  $V_{CC}/V_{CCO}$ .
3.  $V_{IHD}$ ,  $V_{ILD}$ ,  $V_{ID}$  and  $V_{CMR}$  parameters must be complied with simultaneously.

# NB7VQ1006M

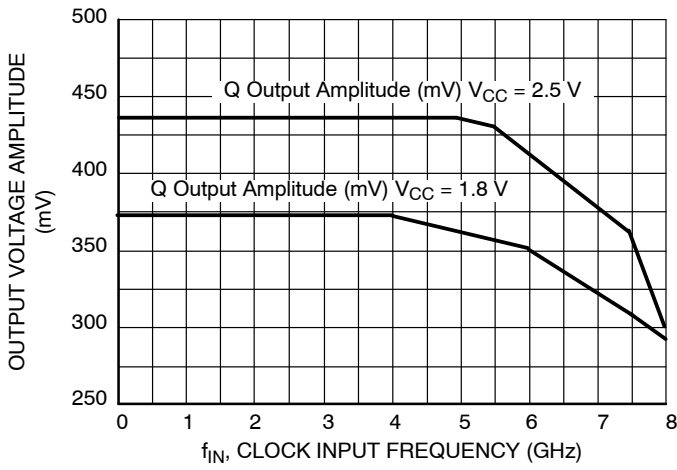
**Table 6. AC CHARACTERISTICS** ( $V_{CC} = V_{CC0} = 1.71\text{ V to }2.625\text{ V}$ ;  $GND = 0\text{ V}$   $T_A = -40^\circ\text{C to }85^\circ\text{C}$  (Note 1))

Symbol	Characteristic	Min	Typ	Max	Unit
$f_{DATA}$	Maximum Operating Input Data Rate	10			Gbps
$f_{MAX}$	Maximum Input Clock Frequency $V_{CC} = 2.5\text{V}$ $V_{CC} = 1.8\text{V}$	7.5 6.5			GHz
$V_{OUTPP}$	Output Voltage Amplitude EQEN = 0 or 1 $f_{in} \leq 5.0\text{ GHz } V_{CC} = 2.5\text{V}$ $f_{in} \leq 7.5\text{ GHz } V_{CC} = 2.5\text{V}$ (See Figures 4, Note 2) $f_{in} \leq 5\text{ GHz } V_{CC} = 1.8\text{V}$ $f_{in} \leq 6.5\text{ GHz } V_{CC} = 1.8\text{V}$	275 225 225 200	440 360 360 315		mV
$V_{CMR}$	Input Common Mode Range (Differential Configuration, Note 3) (Figure 8)	1050		$V_{CC} - 50$	mV
$t_{PLH}$ , $t_{PHL}$	Propagation Delay to Output Differential, IN/IN to Qn/Qn	170	225	315	ps
$t_{PLH\ TC}$	Propagation Delay Temperature Coefficient $-40^\circ\text{C to }+85^\circ\text{C}$		30		fs/ $^\circ\text{C}$
$t_{DC}$	Output Clock Duty Cycle	48	50	52	%
$t_{SKEW}$	Duty Cycle Skew (Note 4) Within Device Skew (Note 5) Device to Device Skew (Note 6)		0.15 10 20	1 25 40	ps
$t_{JITTER}$	Random Clock Jitter RJ(RMS), 1000 cycles (Note 7) EQEN = 1 $f_{in} \leq 5.0\text{ GHz}$ $5\text{ GHz} \leq f_{in} \leq 7.5\text{ GHz}$  Deterministic Jitter (DJ) (Note 8) EQEN = 1, FR4 = 12", $\leq 10\text{ Gbps}$ $V_{CC} = 2.5\text{ V}$ $V_{CC} = 1.8\text{ V}$		0.2 0.2  3 3	0.7 1.2  40 20	ps
$V_{INPP}$	Input Voltage Swing (Differential Configuration) (Note 9) (Figure 6)	100		1200	mV
$t_r$ , $t_f$	Output Rise/Fall Times Qn/Qn, (20%–80%)		30	65	ps

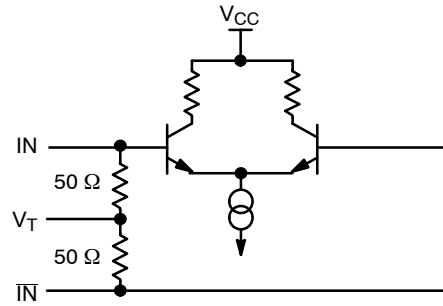
NOTE: Device will meet the specifications after thermal equilibrium has been established when mounted in a test socket or printed circuit board with maintained transverse airflow greater than 500 lpm. Electrical parameters are guaranteed only over the declared operating temperature range. Functional operation of the device exceeding these conditions is not implied. Device specification limit values are applied individually under normal operating conditions and not valid simultaneously.

1. Measured using a 400 mV source, 50% duty cycle 1GHz clock source. All outputs must be loaded with external 50  $\Omega$  to  $V_{CC0}$ . Input edge rates 40 ps (20% – 80%).
2. Output voltage swing is a single ended measurement operating in differential mode.
3.  $V_{CMR}$  min varies 1:1 with GND,  $V_{CMR}$  max varies 1:1 with  $V_{CC}$ . The  $V_{CMR}$  range is referenced to the most positive side of the differential input signal.
4. Duty cycle skew is measured between differential outputs using the deviations of the sum of  $T_{pw-}$  and  $T_{pw+}$  @ 5 GHz.
5. Within device skew compares coincident edges.
6. Device to device skew is measured between outputs under identical transition
7. Additive CLOCK jitter with 50% duty cycle clock signal.
8. Additive Peak-to-Peak jitter with input NRZ data at PRBS23.
9. Input voltage swing is a single-ended measurement operating in differential mode, with minimum propagation change of 25 ps.

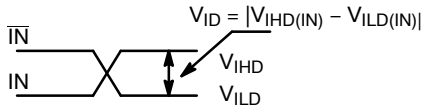
# NB7VQ1006M



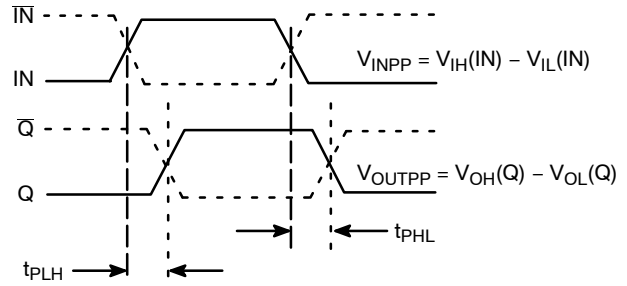
**Figure 3. Output Voltage Amplitude ( $V_{OUTPP}$ ) vs. Input Frequency ( $f_{in}$ ) at Ambient Temperature (Typ), (EQEN = 0)**



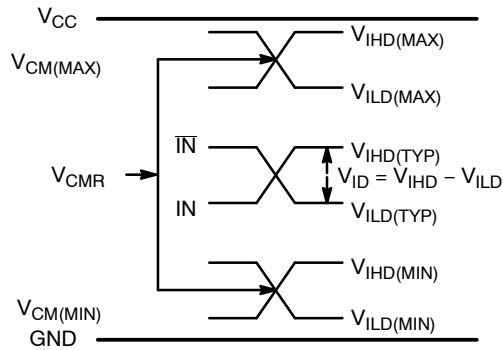
**Figure 4. Input Structure**



**Figure 5. Differential Inputs Driven Differentially**



**Figure 6. AC Reference Measurement**



**Figure 7.  $V_{CMR}$  Diagram**

# NB7VQ1006M

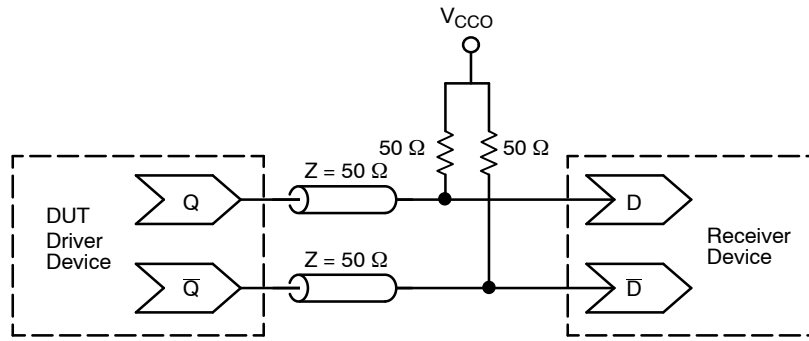


Figure 8. Typical Termination for CML Output Driver and Device Evaluation

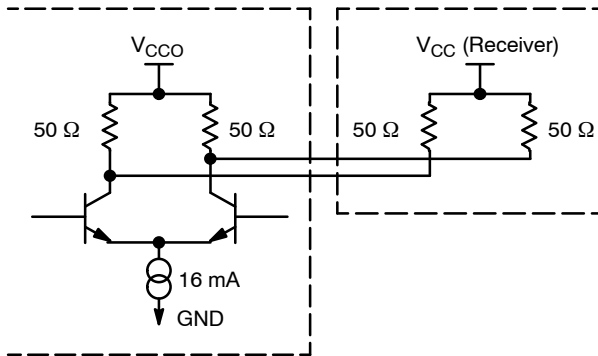


Figure 9. Typical CML Output Structure and Termination

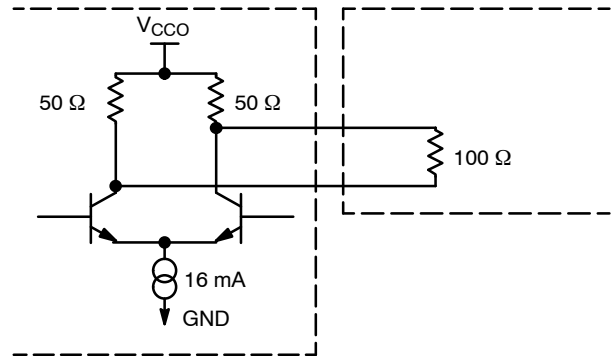


Figure 10. Alternative Output Termination



# NB7VQ1006M

## APPLICATION INFORMATION

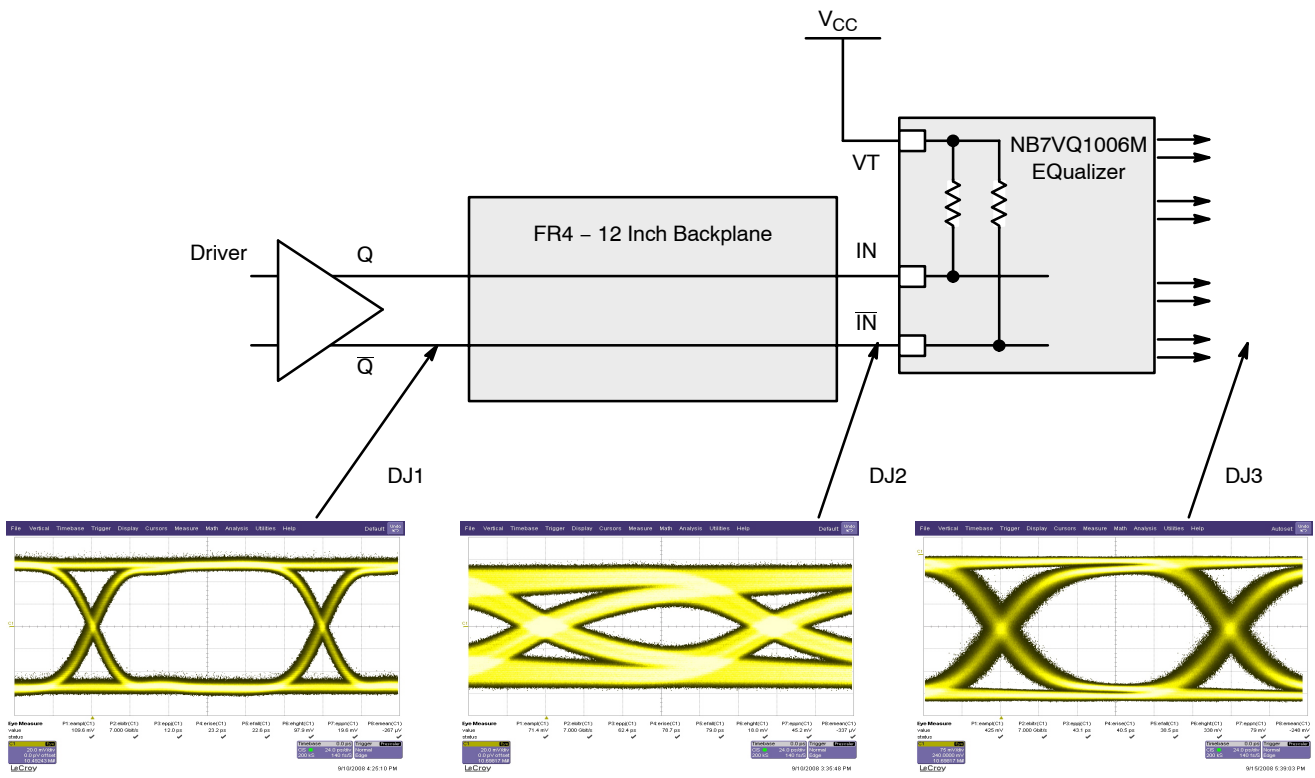


Figure 11. Typical NB7VQ1006 Equalizer Application and Interconnect with PRBS23 pattern at 7.0 Gbps

# NB7VQ1006M

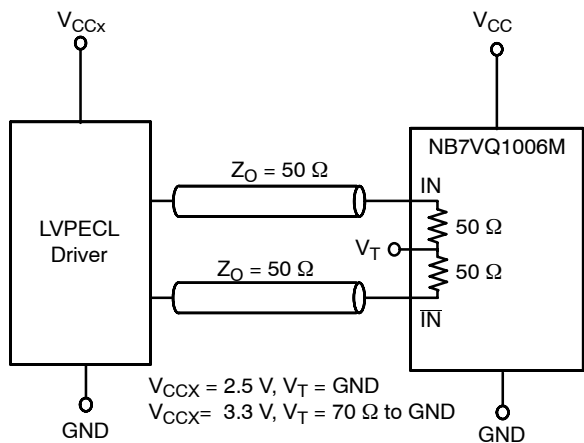


Figure 12. LVPECL Interface

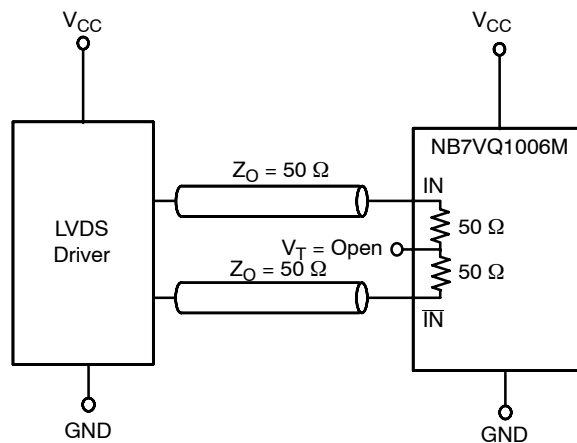


Figure 13. LVDS Interface

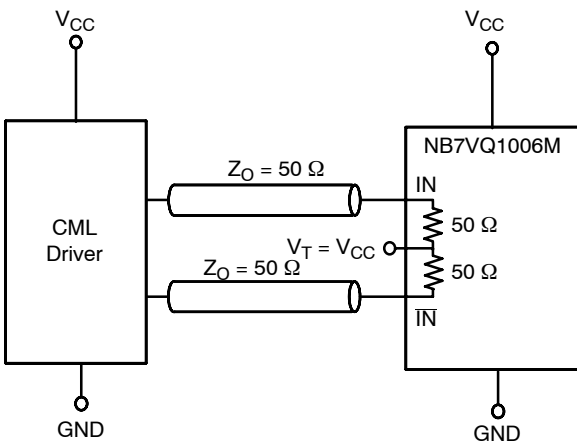


Figure 14. Standard 50  $\Omega$  Load CML Interface

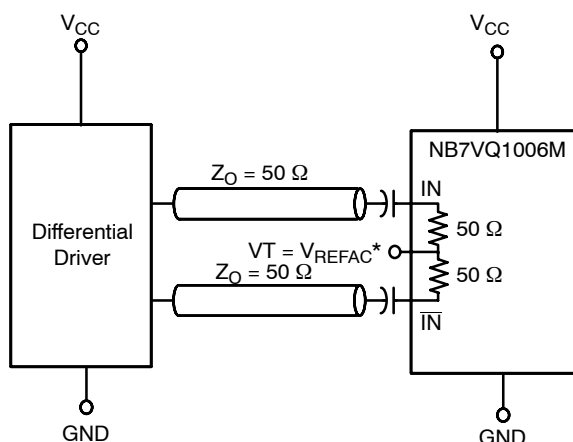


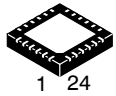
Figure 15. Capacitor-Coupled Differential Interface  
( $V_T$  Connected to External  $V_{REFAC}$ )

\* $V_{REFAC}$  bypassed to ground with a 0.01  $\mu F$  capacitor

# MECHANICAL CASE OUTLINE

## PACKAGE DIMENSIONS

ON Semiconductor®

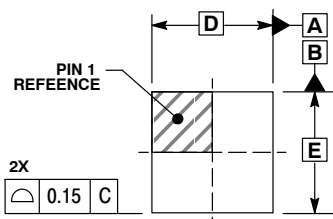


1 24

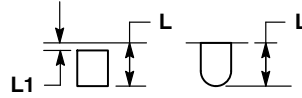
SCALE 2:1

QFN24, 4x4, 0.5P  
CASE 485L  
ISSUE B

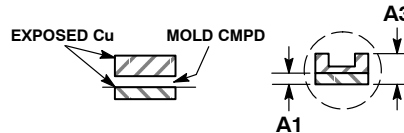
DATE 05 JUN 2012



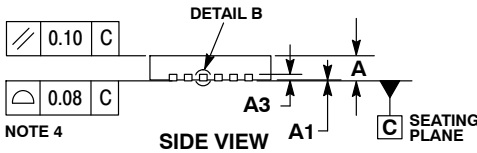
TOP VIEW



DETAIL A  
ALTERNATE  
CONSTRUCTIONS



DETAIL B  
ALTERNATE TERMINAL  
CONSTRUCTIONS



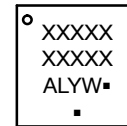
SIDE VIEW

NOTES:

- DIMENSIONING AND TOLERANCING PER ASME Y14.5M, 1994.
- CONTROLLING DIMENSION: MILLIMETERS.
- DIMENSION b APPLIES TO PLATED TERMINAL AND IS MEASURED BETWEEN 0.25 AND 0.30 MM FROM THE TERMINAL TIP.
- COPLANARITY APPLIES TO THE EXPOSED PAD AS WELL AS THE TERMINALS.

DIM	MILLIMETERS	
	MIN	MAX
A	0.80	1.00
A1	0.00	0.05
A3	0.20	REF
b	0.20	0.30
D	4.00	BSC
D2	2.70	2.90
E	4.00	BSC
E2	2.70	2.90
e	0.50	BSC
L	0.30	0.50
L1	0.05	0.15

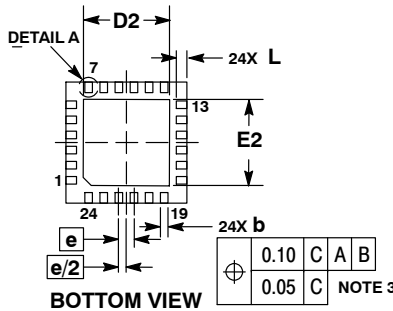
### GENERIC MARKING DIAGRAM\*



- XXXXXX = Specific Device Code
- A = Assembly Location
- L = Wafer Lot
- Y = Year
- W = Work Week
- = Pb-Free Package

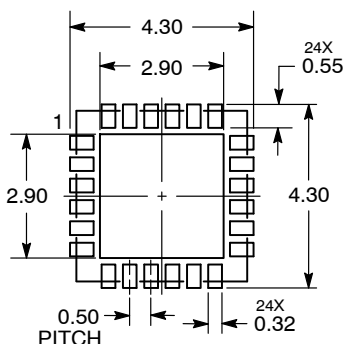
(Note: Microdot may be in either location)

\*This information is generic. Please refer to device data sheet for actual part marking. Pb-Free indicator, "G" or microdot "▪", may or may not be present.



BOTTOM VIEW

### RECOMMENDED SOLDERING FOOTPRINT



DIMENSIONS: MILLIMETERS

DOCUMENT NUMBER:	98AON11783D	Electronic versions are uncontrolled except when accessed directly from the Document Repository. Printed versions are uncontrolled except when stamped "CONTROLLED COPY" in red.
DESCRIPTION:	QFN24, 4X4, 0.5P	PAGE 1 OF 1

ON Semiconductor and ON are trademarks of Semiconductor Components Industries, LLC dba ON Semiconductor or its subsidiaries in the United States and/or other countries. ON Semiconductor reserves the right to make changes without further notice to any products herein. ON Semiconductor makes no warranty, representation or guarantee regarding the suitability of its products for any particular purpose, nor does ON Semiconductor assume any liability arising out of the application or use of any product or circuit, and specifically disclaims any and all liability, including without limitation special, consequential or incidental damages. ON Semiconductor does not convey any license under its patent rights nor the rights of others.

**onsemi**, **Onsemi**, and other names, marks, and brands are registered and/or common law trademarks of Semiconductor Components Industries, LLC dba "**onsemi**" or its affiliates and/or subsidiaries in the United States and/or other countries. **onsemi** owns the rights to a number of patents, trademarks, copyrights, trade secrets, and other intellectual property. A listing of **onsemi**'s product/patent coverage may be accessed at [www.onsemi.com/site/pdf/Patent-Marking.pdf](http://www.onsemi.com/site/pdf/Patent-Marking.pdf). **onsemi** reserves the right to make changes at any time to any products or information herein, without notice. The information herein is provided "as-is" and **onsemi** makes no warranty, representation or guarantee regarding the accuracy of the information, product features, availability, functionality, or suitability of its products for any particular purpose, nor does **onsemi** assume any liability arising out of the application or use of any product or circuit, and specifically disclaims any and all liability, including without limitation special, consequential or incidental damages. Buyer is responsible for its products and applications using **onsemi** products, including compliance with all laws, regulations and safety requirements or standards, regardless of any support or applications information provided by **onsemi**. "Typical" parameters which may be provided in **onsemi** data sheets and/or specifications can and do vary in different applications and actual performance may vary over time. All operating parameters, including "Typicals" must be validated for each customer application by customer's technical experts. **onsemi** does not convey any license under any of its intellectual property rights nor the rights of others. **onsemi** products are not designed, intended, or authorized for use as a critical component in life support systems or any FDA Class 3 medical devices or medical devices with a same or similar classification in a foreign jurisdiction or any devices intended for implantation in the human body. Should Buyer purchase or use **onsemi** products for any such unintended or unauthorized application, Buyer shall indemnify and hold **onsemi** and its officers, employees, subsidiaries, affiliates, and distributors harmless against all claims, costs, damages, and expenses, and reasonable attorney fees arising out of, directly or indirectly, any claim of personal injury or death associated with such unintended or unauthorized use, even if such claim alleges that **onsemi** was negligent regarding the design or manufacture of the part. **onsemi** is an Equal Opportunity/Affirmative Action Employer. This literature is subject to all applicable copyright laws and is not for resale in any manner.

## PUBLICATION ORDERING INFORMATION

### LITERATURE FULFILLMENT:

Email Requests to: [orderlit@onsemi.com](mailto:orderlit@onsemi.com)

**onsemi Website:** [www.onsemi.com](http://www.onsemi.com)

### TECHNICAL SUPPORT

**North American Technical Support:**

Voice Mail: 1 800-282-9855 Toll Free USA/Canada

Phone: 011 421 33 790 2910

**Europe, Middle East and Africa Technical Support:**

Phone: 00421 33 790 2910

For additional information, please contact your local Sales Representative