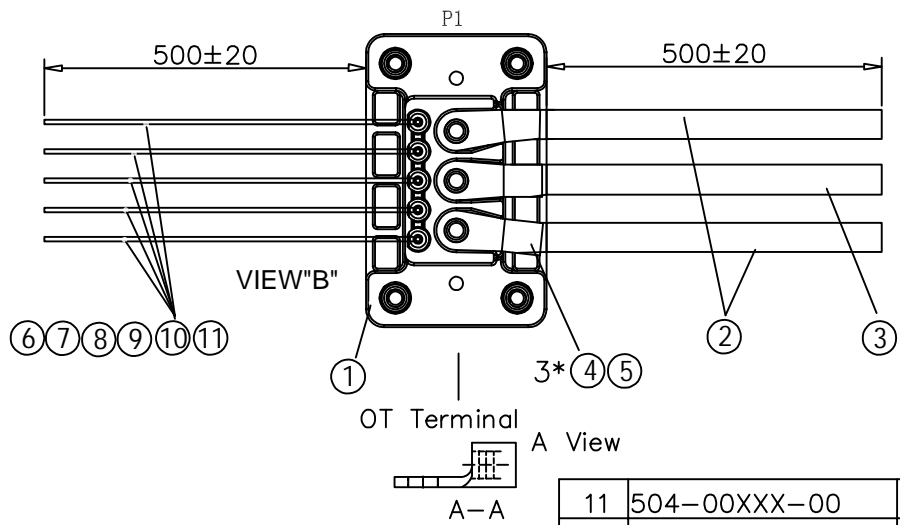
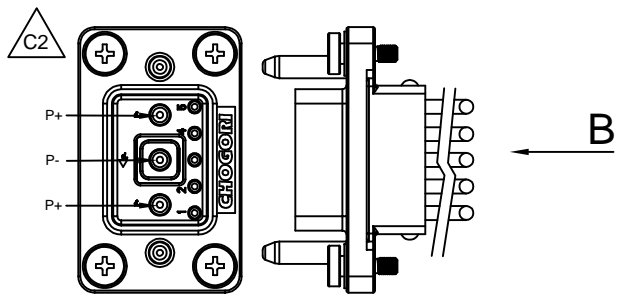


THIS INFORMATION IS CONFIDENTIAL AND IS DISCLOSED TO YOU ON CONDITION THAT NO FURTHER DISCLOSURE IS MADE BY YOU TO OTHER THAN CHOG RI PERSONNEL WITHOUT AUTHORIZATION IN WRITING FROM CHOG RI.

REV	ECN NO.	DESCRIPTION	SIGN	DATE
C1	N/A	INITIAL DRAWING	Joseph	2021/11/26
C2	N/A	1.Added view 2.The wire color of pin 5 in the table should be changed from purple to white 3.Update the specifications	Kevi_n_Rdz	2022.08.12



P1	Color	Wire Gauge	Notes
P+	RED	8AWG	
P-	BLACK	8AWG	
P+	RED	8AWG	
P+	RED	22AWG	
1	GREEN	22AWG	OPEN
2	YELLOW	22AWG	
3	YELLOW	22AWG	
4	BLUE	22AWG	
5	WHITE	22AWG	

PIN OUT

SPECIFICATIONS&TEST REQUIREMENTS

- TEMPERATURE RATING: -10°C~85°C
- CURRENT RATING :POWER: 40A,SIGNAL: 3A
- VOLTAGE RATING: 72V DC
- INSULATION RESISTANCE: 20MΩ@500VDC,1MIN
- DIELECTRIC WITHSTANDING VOLTAGE:
POWER: 1500VAC, 1MIN
SIGNAL: 500VAC, 1MIN
- MATING CYCLE: 5000 Cycles.
- ROHS COMPLIANT.

11	504-00XXX-00	A/C	M	Heat shrinkable tube φ2.0 black
10	900-00101-00XXX	A/C	M	UL1007 22AWG Red PVC wire
9	900-00101-00XXX	A/C	M	UL1007 22AWG Green PVC wire
8	900-00101-00XXX	A/C	M	UL1007 22AWG Blue PVC wire
7	900-00101-00XXX	A/C	M	UL1007 22AWG WHITE PVC wire
6	900-00101-00XXX	A/C	M	UL1007 22AWG Yellow PVC wire
5	504-00XXX-00	A/C	M	Heat shrinkable tube φ8.0 black
4	901-00XXX-00XXX	3	PCS	OT Terminal RNBS8-5 8AWG
3	900-00106-00XXX	A/C	M	UL3239 8AWG Black silicone wire OD: 5.5
2	900-00106-00XXX	A/C	M	UL3239 8AWG Red silicone wire OD: 5.5
1	13C2310555-13	1	PC	FC09 connector:Male 2+5pin
ITEM	CHOGORI P/N	QTY	UNIT	DESCRIPTION

UNIT:mm		DESCRIPTION: 13C2310555-13 FC09 Charging connector of cable assembly
TOLERANCE: ±1	SCALE: 1:1	SHEET 1 OF 1
REV. C1	SIZE A4	* :Inspection Item

CHOGORI

PART NO 11C03621112301	DRAWN BY Kevi_n_Rdz	DATE 2022.08.12
DWG NO 11C03621112301	CHECKED BY Kevi_n_Rdz	DATE 2022.08.12
CUSTOMER	APPROVED BY	DATE