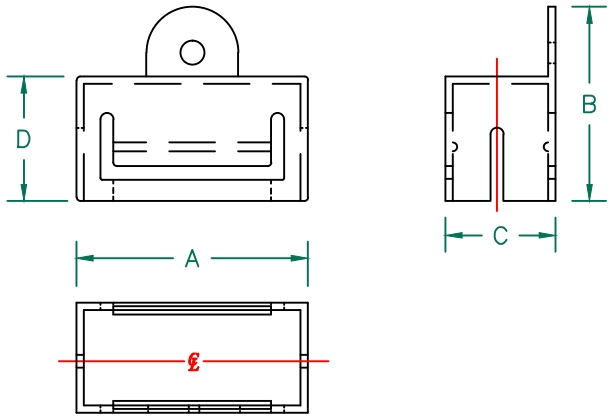
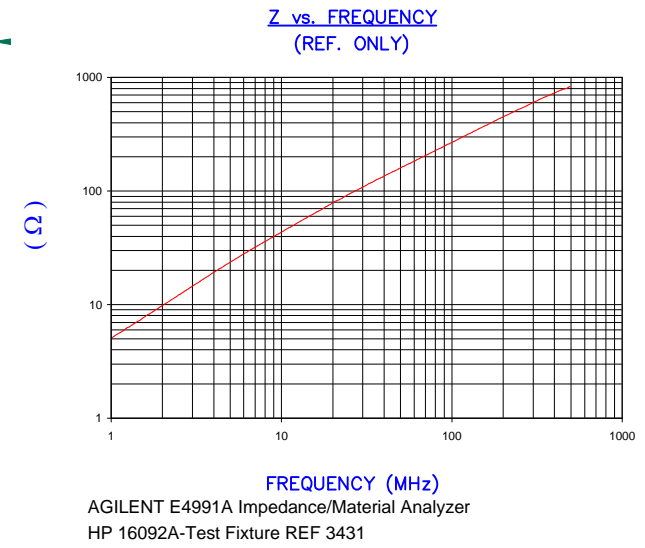


IMPEDANCE (Z)			
Frequency	25 MHz	100 MHz	300 MHz
Nominal (REF)	100 Ω	280 Ω	590 Ω
Minimum	- Ω	224 Ω	- Ω

BARE DIMENSIONS:

A	63.50 [2.500]	+ 1.27 [.050]	F	7.62 [.300]	+ 0.18 [.007]
B	52.07 [2.050]	+ 1.02 [.040]	G	31.75 [1.250]	+ 0.76 [.030]
C	28.58 [1.125]	+ 0.64 [.025]	H	2.74 [.108]	+ 0.25 [.010]
D	6.35 [.250]	+ 0.25 [.010]	J	0.86 [.034]	+ 0.25 [.010]
E	0.84 [.033]	+ 0.25 [.010]			

WEIGHT/1000 50.13 kgs 110.53 Lbs



PLASTIC CLIP (S2001-0P0)

CLIP DIMENSIONS:

A	31.50 [1.240]	+ 0.30 [.012]
B	26.62 [1.048]	+ 0.25 [.010]
C	15.44 [.608]	+ 0.15 [.006]
D	16.94 [.667]	+ 0.18 [.007]



NOTES:

1. ADD ONE PLASTIC CLIP FOR SHIPPING.
2. PLASTIC CLIP SPECIFICATION: 21137
3. PART WEIGHT IS FOR ONE CORE..
4. USE FERRITE CORE STEWARD P/N 28S2001-000.
5. INCLUDES ONE CORE AND ONE CLIP.
6. COSMETIC SPECIFICATION REFER TO WI-QA-038.

DIMENSIONS ARE IN mm[INCHES].				This print is the property of Laird Tech. and is loaned in confidence subject to return upon request and with the understanding that no copies shall be made without the written consent of Laird Tech. All rights to design or invention are reserved.		Laird	
K	UPDATE THE LOGO AND NOTE 6	07/01/15	QIU	PROJECT/PART NUMBER:	REV	PART TYPE:	DRAWN BY:
H	CHANGE HOLE	07/09/10	JUN	28S2001-0P0	J	FERRITE SPLIT RIBBON	IS
G	UPDATE COMPANY LOGO REVISE DIMPLE DESIGN CHANGE DIA. OF DIMPLE	10/16/08	JRK	DATE:	SCALE:	MATERIAL:	
F	REVISE NOTES ADD TEST REF # REM ISO VIEW	08/11/05	JRK	02/02/98	1.5 : 1	Ferrite	
E	REVISE TOLS B, C, & D, CHG NOTE 2 AND PLASTIC CLIP P/N	07/09/03	JRK	CAD #	TOOL #		
REV	DESCRIPTION	DATE	INT	28S2001-0P0-J	S2001		