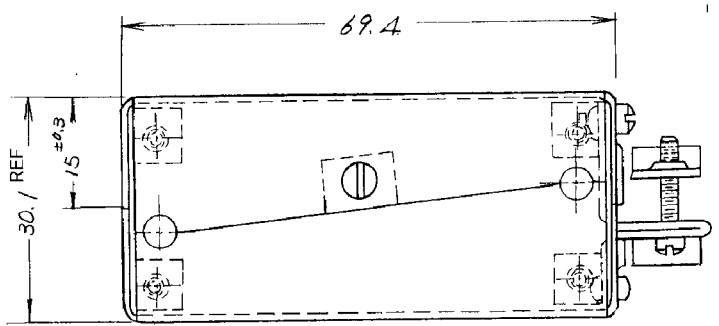


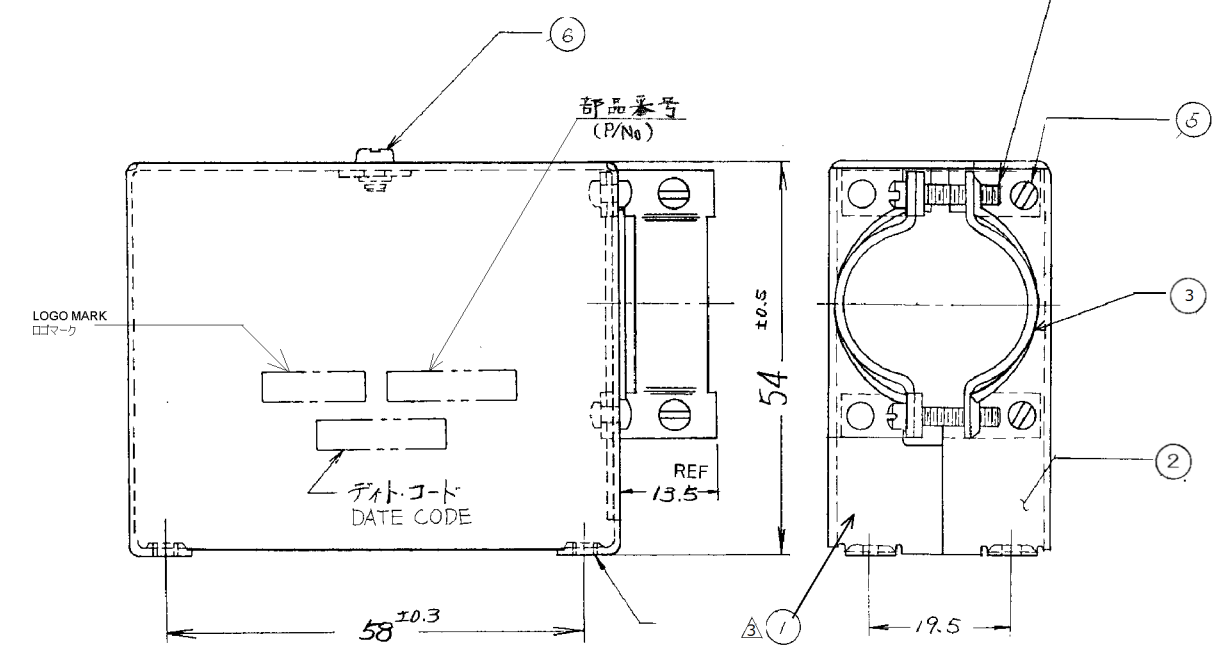
THIS DRAWING IS UNPUBLISHED
 RELEASED FOR PUBLICATION
 (C) COPYRIGHT 2012 BY Tyco Electronics Japan G.K.

REVISEMENTS		変更				
P	LTR	DESCRIPTION	ECN	DATE	DWN	APVD
	D	REDRAWN	FJ00-0518-97	9Apr'97	C.O	I.H
	E	REVISED		09SEP 2013	T.N	N.Y
	F	REVISED PER ECO-20-007658	-	12JUN 2020	KR	MZ



類似 No. 202711-1
 SIMILAR SHIELD No. 202711-1

△ ウィスカ対策・RoSH対応品
 WHISKER COUNTERMEASURE & RoSH COMPLIANCE



OBSOLETE		MATERIAL AND FINISH		NAME		ITEM NO.
2	2	2	STAINLESS STEEL, ORGANIC COATING	△	SCREW # 4-40 UNC-2A LENGTH 3.2 REF	⑥
2	2	2	STAINLESS STEEL, ORGANIC COATING	△	SCREW # 4-40 UNC-2A LENGTH 6.4 REF	⑤
2	2	2	STAINLESS STEEL, ORGANIC COATING	△	SCREW # 4-40 UNC-2A LENGTH 19.1 REF	④
1	1	1	ZINC-COATED STEEL, PAINTED TO METALIC SILVER	△	CABLE-CLAMP	③
1	1	1	ZINC-COATED STEEL, PAINTED TO METALIC SILVER	△	CABLE-CLAMP	③
1	1	1	ZINC-COATED STEEL, PAINTED TO METALIC SILVER	△	SHIELD (R.H)	②
1	1	1	ZINC-COATED STEEL, PAINTED TO METALIC SILVER	△	SHIELD (R.H)	②
1	1	1	ZINC-COATED STEEL, PAINTED TO METALIC SILVER	△	SHIELD (L.H)	①
1	1	1	ZINC-COATED STEEL, PAINTED TO METALIC SILVER	△	SHIELD (L.H)	①

NOTE

1. 電線束線径: 最大φ 26, 最小φ 17
 WIRE BUNDLE THICKNESS: MAX φ 26, MIN φ 17
2. -1, 7-1: 絶縁スリーブなし
 -1, 7-1: WITHOUT INSULATED SLEEVE
 -2: 絶縁スリーブ (P/N21330-4) 2ヶ添付
 -2: INSULATED SLEEVE (P/N21330-4) WITH 2 PEACE
3. リベット (スチール ニッケルめっき) で、固定側ケーブルクランプを組込んだもの。
 ASSEMBLED CABLE CLAMP FIXED SIDE BY RIVET (SCALE, NICKEL PLATING)

THIS DRAWING IS A CONTROLLED DOCUMENT FOR AND INCORPORATED IT IS SUBJECT TO CHANGE AND THE CONTROLLING ENGINEERING ORGANIZATION SHOULD BE CONTACTED FOR THE LATEST REVISION.		C. OHASHI 3/APR/97			
DIMENSIONS: 単位: 概 mm	TOLERANCES UNLESS OTHERWISE SPECIFIED 一般公差 ±0.4 ±1°	PRODUCT SPEC 製品規格	APVD: 9/APR/97 NAME:	75極90°シールド 75POS 90° SHIELD	
MATERIAL 上図参照 SEE DWG	FINISH 上図参照 SEE DWG	WEIGHT CUSTOMER DRAWING	SIZE: A3 CAGE CODE: 00779 DRAWING NO: C-171076	RESTRICTED TO: -	
SCALE: 尺度 NON			SHEET 1 OF 1 REV F		