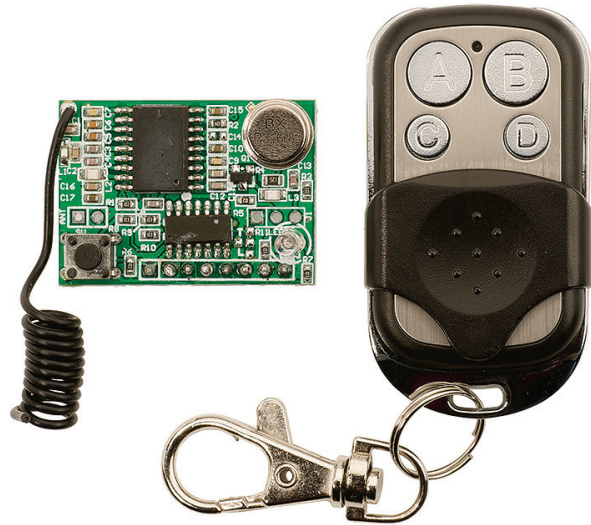


Key Fob Remote (#700-10016)

The Key Fob Remote is a simple device that lets you control four outputs on the included Receiver PCB. Just press a button on the Remote to make the corresponding output pins on the Receiver PCB send a 5 V high signal. It's an affordable way to add wireless human input to your projects.



Features

- 4 channel control
- Signal indicator LED
- Remote and Receiver PCB are pre-synchronized
- Up to 50 foot line-of sight range
- Source 40 mA per Receiver channel @ 5 VDC for your projects
- Pre-installed battery in the remote

Key Specifications

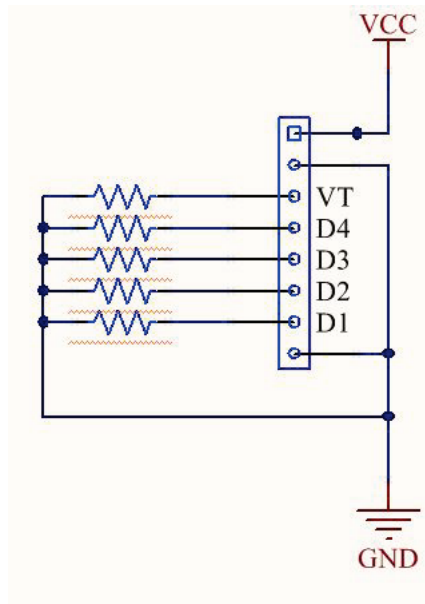
- Operating frequency: 316 MHz band
- Standard 0.1" pin spacing
- Range: Up to 50 feet (15.25 meters) line-of-sight
- Power requirements: 5.0 VDC; 40 mA @ 5 VDC per receiver channel
- Communication: TTL level
- Receiver PCB Dimensions: 1.34 x 0.96 in (3.40 x 2.44 cm)
- Operating temp range: -4 to +158 °F (-20 to +70 °C)

Application Ideas

- Remote lighting activator
- Keyless access
- Remote digital sign controller

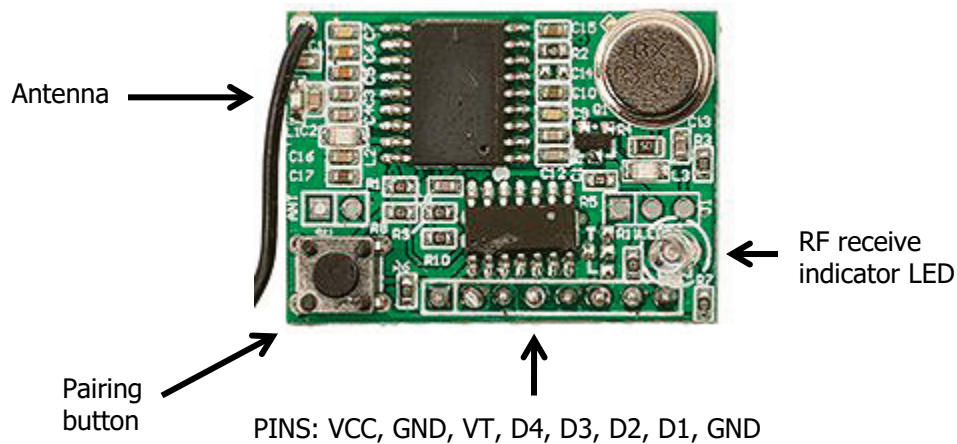
Connection Diagram

The representation below shows a typical interface to the Key Fob Receiver Board. Resistors indicate your added devices (e.g. microcontroller I/O pin, relay, etc...).



Receiver Board

The receiver board only needs 5 VDC on the VCC pin. Once it is powered up, you are ready to connect "VT" or any of the "D" pins to your project.



The Receiver Board has a pre-soldered antenna in "ANT2". To add even more range to the receiver you can add your own antenna to "ANT1" on the receiver board.

Key Chain Remote

The Key Chain Remote has four buttons. The large buttons are labeled A and B; the smaller buttons are labeled C and D. The table below shows which pins on the Receiver Board that become active "high" (5 VDC @ 40 mA) when its corresponding button is pressed. When a button is released, its pin goes back to a "low" state.



Key Chain Button	Receiver Board Pins
"A"	VT & D1
"B"	VT & D2
"C"	VT & D3
"D"	VT & D4

Adding Additional Remotes

The Remote and Receiver PCB are pre-synchronized. You can synchronize the PCB with additional keychain remotes by pressing and holding down the PCB's "pairing button" while pressing any of the buttons on the Remote you want to add.

Changing the Remote's Battery

The remote uses one size 27 A, 12 V alkaline battery. The remote comes with the battery pre-installed, and it may be replaced if needed. To access the battery compartment, remove the three tiny Phillips-head screws on the back of the remote, and remove the back cover.

Revision History

Version 1.1: Documentation updated to correct for range.

Version 1.2: corrected operating frequency from 433 to 316 MHz band.