

4

3

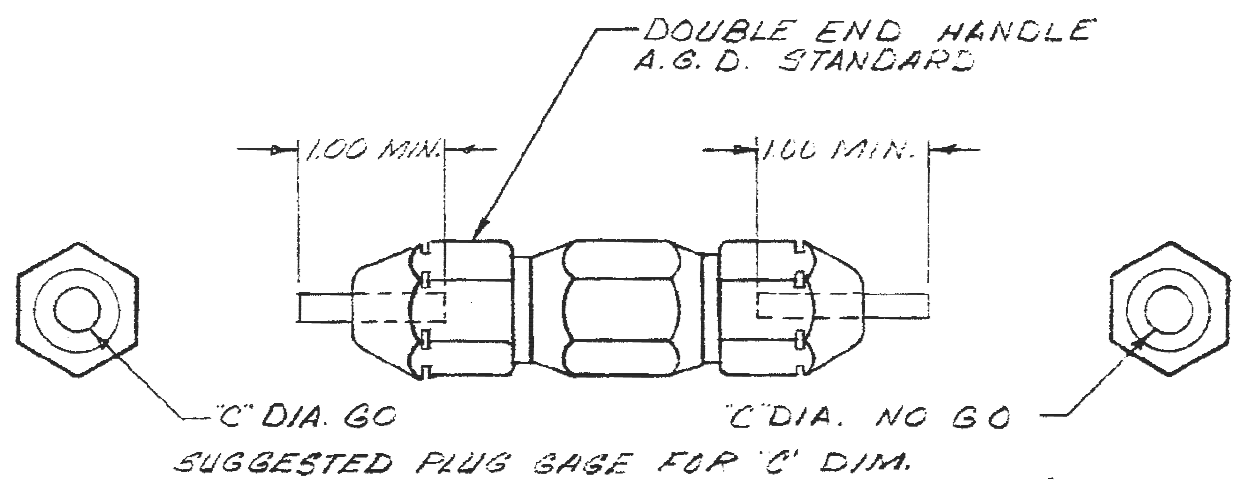
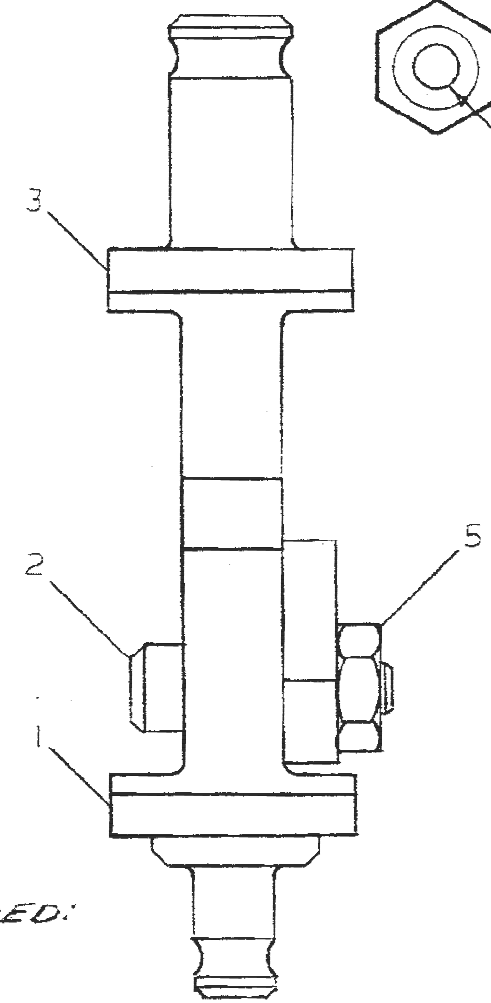
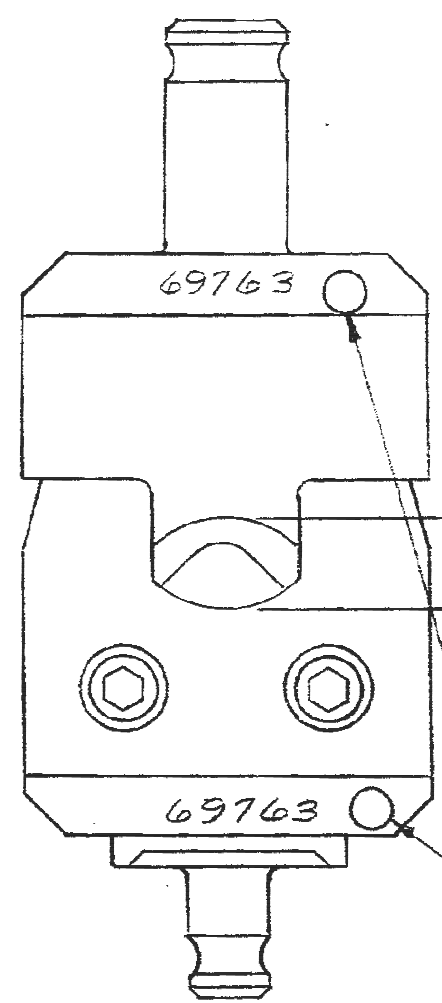
2

1

THIS DRAWING IS UNPUBLISHED. RELEASED FOR PUBLICATION  
 © COPYRIGHT BY TYCO ELECTRONICS CORPORATION. ALL INTERNATIONAL RIGHTS RESERVED.

LOC	DIST	REVISIONS			
P	LTR	DESCRIPTION	DATE	DWN	APVD
A	00	B1	ECR-11-003839	2-2011	MY MH

PART NUMBER	REV	FIRST USED
69763	B	59974-1



"C" DIM	
GO	NO GO
.2730-.2733 [6.934-6.942mm]	.2829-.2830 [7.185-7.188mm]

QTY REQD	U/M	PART NO	DESCRIPTION	ITEM NO
2	-	21028-6	NUT, 8-32	5
1	-	45997-4	STOP	4
1	-	307336-1	ANVIL	3
2	-	2-21000-8	SCREW, 8-32UNC X .68 LG	2
1	-	307337-1	INDENTER	-1

COLOR CODED:  
RED

THIS DRAWING IS A CONTROLLED DOCUMENT.

DIMENSIONS: INCHES	TOLERANCES UNLESS OTHERWISE SPECIFIED:	DWN M.YOUNGER 20JUL2009	Tyco Electronics Corporation Harrisburg, PA 17105-3608
0 PLC ±- 1 PLC ±- 2 PLC ±- 3 PLC ±- 4 PLC ±- ANGLES ±-		CHK M.HOUSER	
MATERIAL	FINISH	APVD M.HOUSER	NAME DIE ASSEMBLY
		PRODUCT SPEC	SIZE A3
		APPLICATION SPEC	CAGE CODE 00779
		WEIGHT	DRAWING NO C=69763
		CUSTOMER DRAWING	RESTRICTED TO
		SCALE NTS	SHEET 1 OF 1
			REV B1