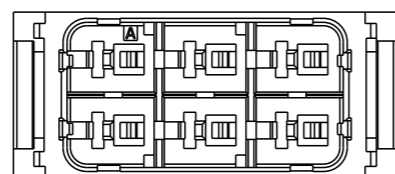
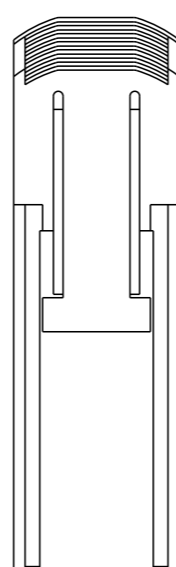
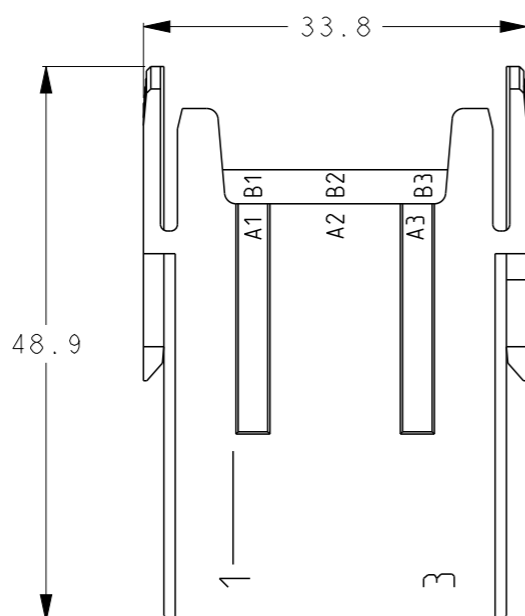
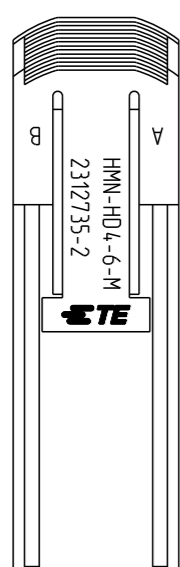
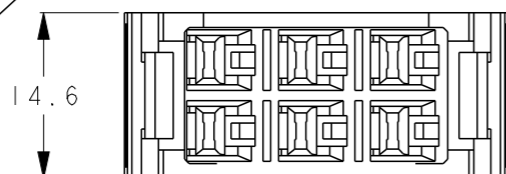
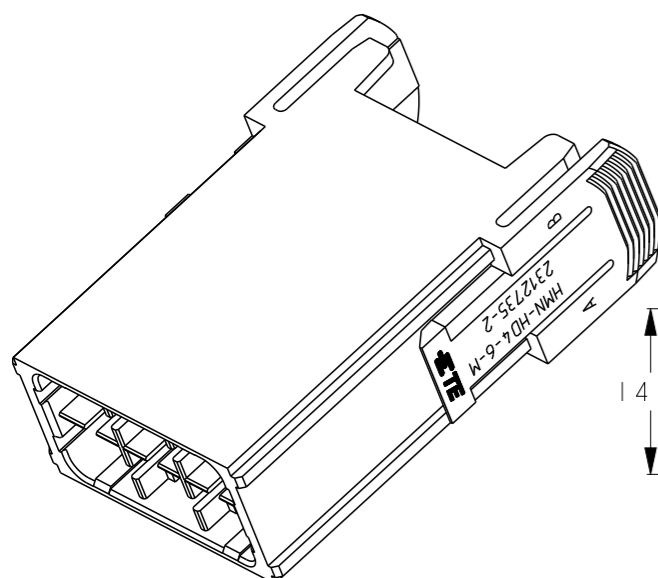


REVISIONS

P	LTR	DESCRIPTION	DATE	DWN	APVD
	A	RELEASED	13DEC2017	RI	EI
	A1	REVISED PER ECR-18-003832	12MAR2018	RI	EI



- TECHNICAL CHARACTERISTICS :
 INSULATION MATERIAL : PBT
 RATED VOLTAGE : 500V
 RATED CURRENT : 16A
 INSULATION RESISTANCE : $\geq 100M\Omega$
 RATED IMPULSE VOLTAGE : 6KV
 POLLUTION DEGREE : 3
 FLAMMABILITY : UL94V-0
 MATING CYCLES : 100 CYCLES
 OPERATION TEMPERATURE : $-40^{\circ}C \sim +125^{\circ}C$
 WIRE RANGE : 0.34SQmm~3.62SQmm
 CONTACT TYPE : CRIMP CONTACT
- CONTACT NEED TO BE ORDERED SEPARATELY.
 (ORDER No. REFER TO DRAWING : SEE TABLE 1)
- FRAMES NEED TO BE ORDERED SEPARATELY.
 (ORDER No. REFER TO DRAWING : SEE TABLE 2)

TABLE 1

INSULATION RANGE	WIRE RANGE	SIZE	REEL	L/P	DESCRIPTION
2.9-4.2	AWG14-12, 2.08-3.62SQmm	L	1-1747416-2	1-1747500-2	D4 LONG TAB CONTACT
2.0-3.75	AWG16-14, 1.23-2.18SQmm	M	1-1747419-2	1-1747501-2	
1.8-3.23	AWG20-16, 0.50-1.42SQmm	S	1-2040016-2	1-2040586-1	
1.58-2.56	AWG22-20, 0.34-0.56SQmm	SS	1-2287732-2	1-2288019-1	
			PART NUMBER		

TABLE 2

DESCRIPTION	PART NUMBER
H24B MALE FRAME FOR 6 MODULES	T2070244101-002
H16B MALE FRAME FOR 4 MODULES	T2070164101-002
H10B MALE FRAME FOR 3 MODULES	T2070104101-002
H6B MALE FRAME FOR 2 MODULES	T2070064101-002
H10A MALE FRAME FOR 1 MODULE	T2079104101-002

2312735-2
PART NUMBER

THIS DRAWING IS A CONTROLLED DOCUMENT.		DWN R. ITO 13DEC2017	TE Connectivity NAME MODULE INSERT HMN-HD4-6-M HDC DYNAMIC				
DIMENSIONS: mm		CHK T. SHIMOYASU 13DEC2017				PRODUCT SPEC 108-140159	RESTRICTED TO
TOLERANCES UNLESS OTHERWISE SPECIFIED:		APVD E. IKEMATSU 13DEC2017				APPLICATION SPEC 114-78027	
0 PLC ±0.5 1 PLC ±0.5 2 PLC ±0.5 3 PLC ±0.5 4 PLC ±0.5 ANGLES ±5° FINISH -		WEIGHT 14.2g				SIZE A3	CAGE CODE -
MATERIAL SEE NOTE		DRAWING NO C-2312735		SCALE 3:2			
		CUSTOMER DRAWING		SHEET 1 OF 1			
				REV A1			