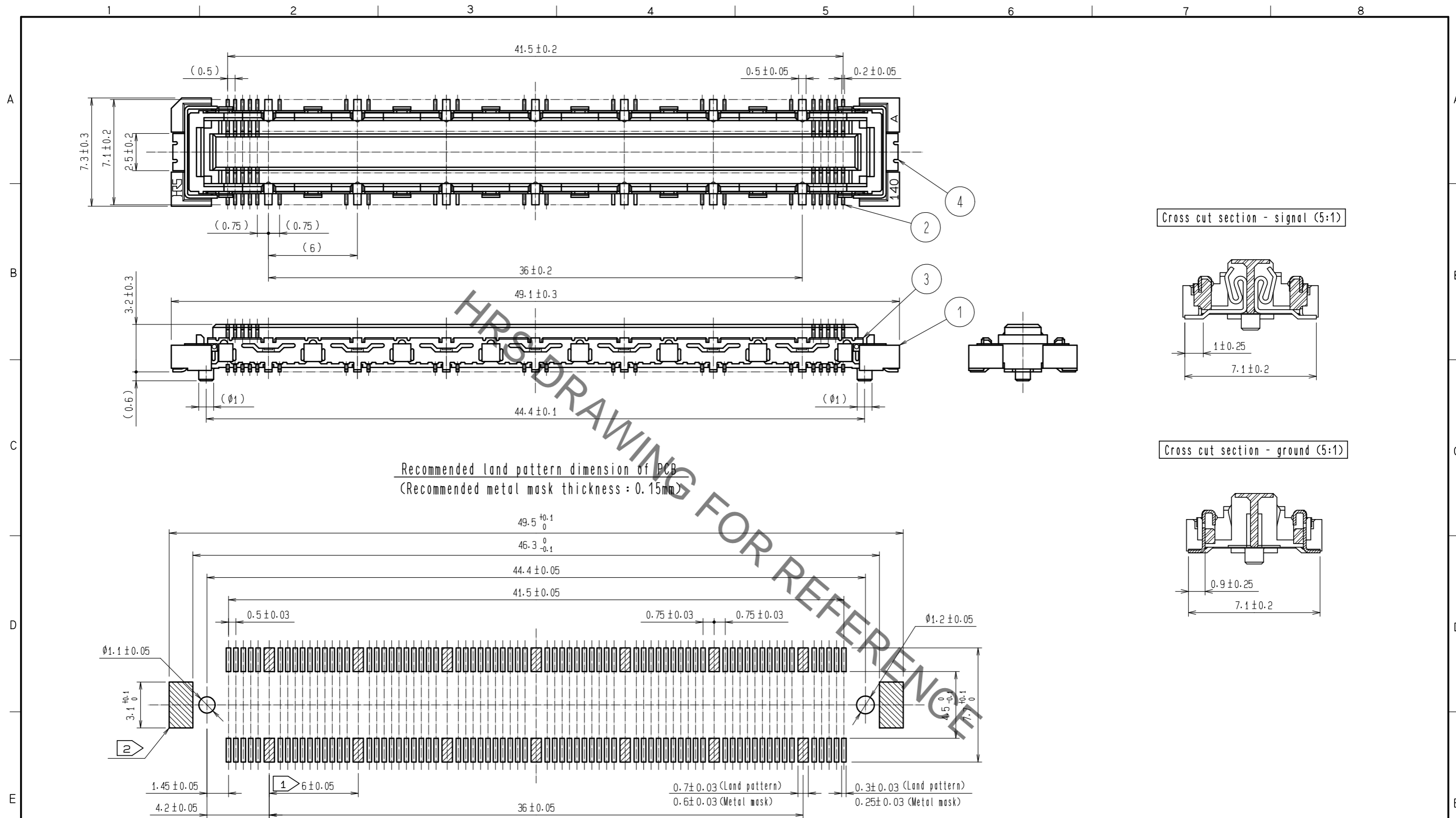


May.1.2023 Copyright 2023 HIROSE ELECTRIC CO., LTD. All Rights Reserved.  
In case of consideration for using Automotive equipment / device which demand high reliability, kindly contact our sales window correspondents.



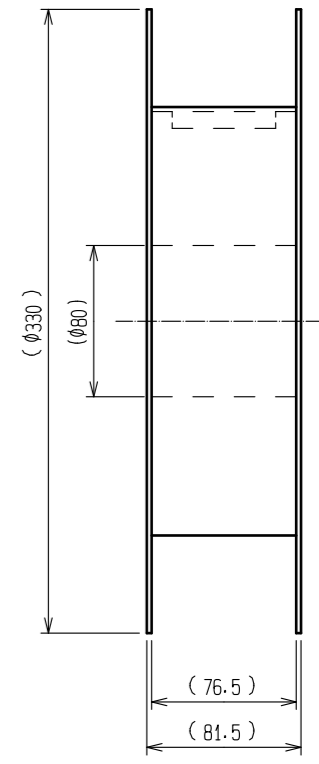
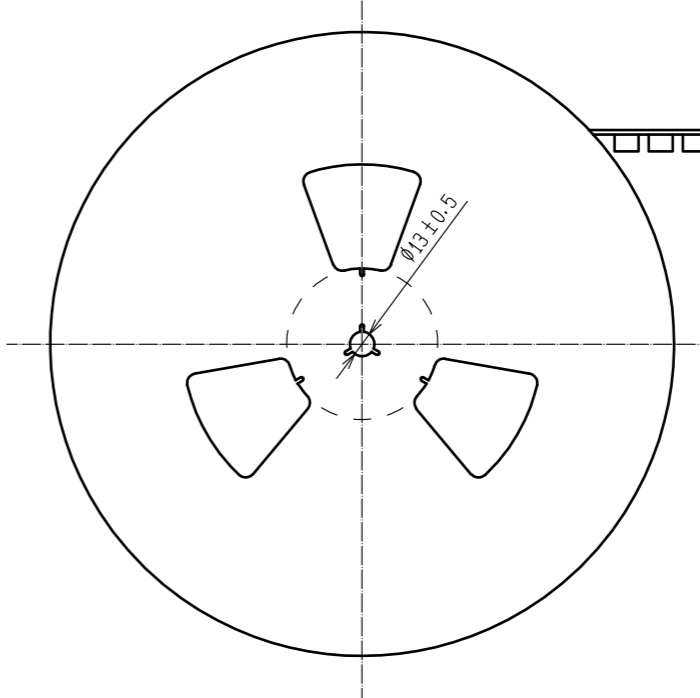
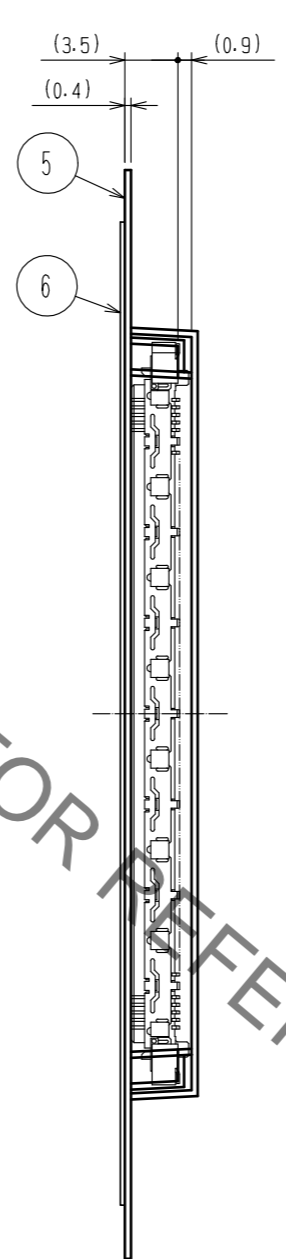
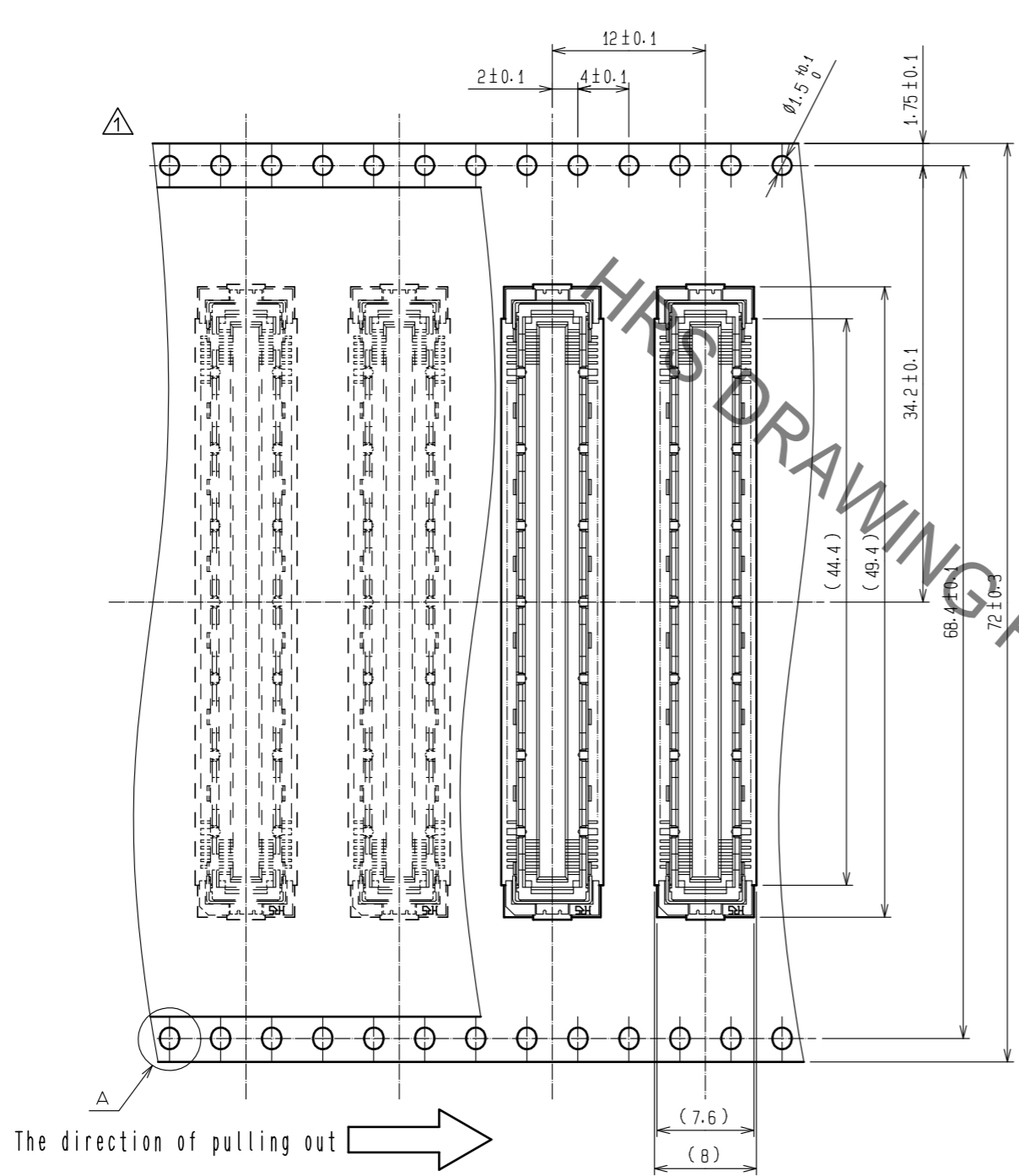
- Notes
- 1 14 hatched parts : ground circuit.
  - 2 2 hatched parts : ground circuit.
  - 3 SMT lead - coplanarity : 0.1 max.
  - 4 This product has no polarity to pattern for mounting.
  - 5 Emboss carrier tape package is applied on this product.  
Please refer to the sheet 2/2 for the details.
  - 6 The dimensions in parentheses are for reference.

2	Phosphor blonze	Contact area : Gold 0.1 $\mu$ m min	6	Polyester	(Top cover tape)		
		Lead area : Gold 0.05 $\mu$ m min	5	Polyethylene	(Emboss carrier tape)		
		Under plating : Nickel 1 $\mu$ m min	4	Phosphor blonze	Tin - plating		
1	LCP	Beige UL94V-0	3	Phosphor blonze	Tin - plating		
NO.	MATERIAL	FINISH . REMARKS	NO.	MATERIAL	FINISH . REMARKS		
UNITS		SCALE	COUNT	DESCRIPTION OF REVISIONS	DESIGNED	CHECKED	DATE
mm		4 : 1	1	DIS-F-00011032	MT. ITANO	HT. YAMAGUCHI	20211007
APPROVED : HS. OKAWA		20080220	DRAWING NO. EDC3-151979-21				
CHECKED : HS. OZAWA		20080220	PART NO. FX10A-140S/14-SV(C91)				
DESIGNED : SY. KAMIGA		20080220	CODE NO. CL0570-0204-2-91				
DRAWN : HK. SUNADORI		20080219					

May.1.2023 Copyright 2023 HIROSE ELECTRIC CO., LTD. All Rights Reserved.  
 In case of consideration for using Automotive equipment / device which demand high reliability, kindly contact our sales window correspondents.

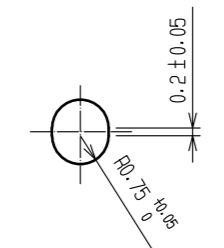
Drawing for packing (2:1)

Reeled dimension (Free)



The direction of pulling out →

A (5:1)



- Notes
- 7 1 reel : 1,000 connectors.
  - 8 Minimum 10 compartments from both reel ends remain empty.
  - 9 This product has no polavity to tape and reel packaging.
  - 10 The dimensions in parentheses are for reference.

<b>HRS</b>	DRAWING NO.	EDC3-151979-21	
	PART NO.	FX10A-140S/14-SV(91)	
	CODE NO.	CL0570-0204-2-91	