

REV	DESCRIPTION	DATE	BY	APP'D
1	CONVERTED RADIAL DWG TO TYCO ACAD DWG	09/04	RF	JM
2	REVISED	07APR10	RF	JM

1 SHELL: ALUMINUM ALLOY 6061 T651
 GROUND BLOCK RETENTION SCREW, JACKNUT & RETAINING NUT: STAINLESS STEEL PER AISI 316
 JACKNUT SPRING: STAINLESS STEEL PER AISI 302
 INSERT RETENTION CLIP, GROUNDING SPRING, GROUND CONTACT RETENTION CLIP & GROUNDING CLIP: COPPER ALLOY PER ASTM B194
 INTERMEDIATE PLATE: COPPER ALLOY PER ASTM B103
 GROUND BLOCK INSULATOR: PEI THERMOPLASTIC PER ASTM D5205
 PROTECTIVE COVER: THERMOPLASTIC ELASTOMER

2 SHELL: ELECTROLESS NICKEL PER SAE AMS-C-26074, CLASS 1.
 GROUNDING CLIP: 1.27µm [50 µin] MIN GOLD PER ASTM B488 OVER 1.25µm [50 µin] MIN NICKEL PER SAE AMS-QQ-N-290
 INTERMEDIATE PLATE & GROUNDING SPRING: ELECTROLYTIC NICKEL PER SAE AMS-QQ-N-290

3 DATE CODE - YEAR & WEEK (YY WW)

4 INDEXING POINT FOR POLARIZATION.

5 SHELL CAVITY FOR GPRB SERIES INSERTS WITH KEYING CODE A.

6 SHELL CAVITY FOR GPRB SERIES INSERTS WITH KEYING CODE B.

7 PROTECTIVE COVERS NOT SHOWN FOR CLARITY.

8 36 CAVITIES FOR GROUNDING CONTACTS PER M39029/1-101.
 GROUNDING CONTACTS, TYCO ELECTRONICS PART NUMBER 2-592404-1, MAY BE PURCHASED SEPARATELY.

9 6-32 SCREWS ARE REQUIRED FOR PANEL MOUNTING (NOT INCLUDED)
 RECOMMENDED TORQUE: 1.6 N-m [14 in-lb] MIN.

10 THREADED HOLES ARE SELF-LOCKING, HAVING THE SPIRALOCK® THREAD FORM.
 SPIRALOCK® IS A REGISTERED TRADEMARK OF SPIRALOCK CORPORATION.

11 SCREW HEAD DIAMETER: 8.50 [0.335] MAX.

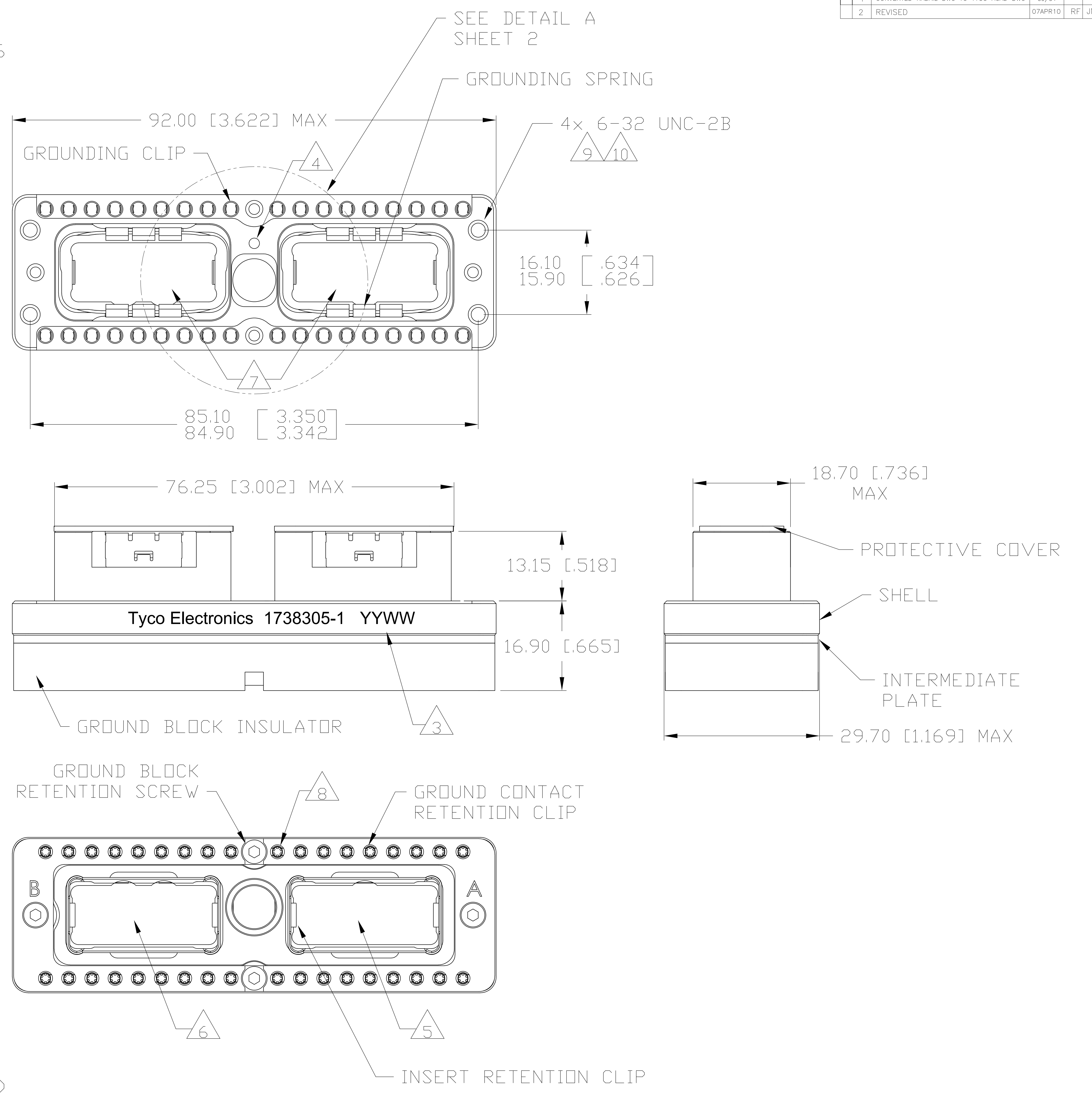
12 THE JACKNUT AND RETAINING NUT ARE SHIPPED UNASSEMBLED.
 THE CUSTOMER SHALL APPLY LOCTITE® PRODUCT 272 THREADLOCKING ADHESIVE WHEN INSTALLING THESE ON THE SHELL ASSEMBLY. LOCTITE® IS A REGISTERED TRADEMARK OF LOCTITE CORPORATION.

13 A SPANNER WRENCH TOOL, TYCO ELECTRONICS P/N 1738220-1 (WITH 1/4-in ADAPTER) OR 1738221-1 (WITH T-HANDLE), IS USED TO LOCK THE RETAINING NUT.
 RECOMMENDED LOCKING TORQUE: 1.5 N-m [13 in-lb].

14. PITCH FOR SIDE-BY-SIDE MOUNTING: 30.10 [1.185] MIN.

15. DESCRIPTIVE PART NUMBER: GPRB2ZA22N
 SERIES: GPRB
 SHELL SIZE: 2 (TWO-CAVITY SHELL)
 SHELL STYLE: Z (RECEPTACLE, WITH GROUNDING BLOCK AND GROUNDING SPRINGS)
 MODIFICATION CODE: A (REAR PANEL-MOUNTED CONNECTOR WITH 4x 6-32 UNC MOUNTING HOLES)
 LOCKING & POLARIZING DEVICE: 2 (JACKNUT)
 POLARIZATION CODE: 2 (A-F JACKNUT HARDWARE SHIPPED UNASSEMBLED)
 SHELL PLATING: N (NICKEL PLATING)

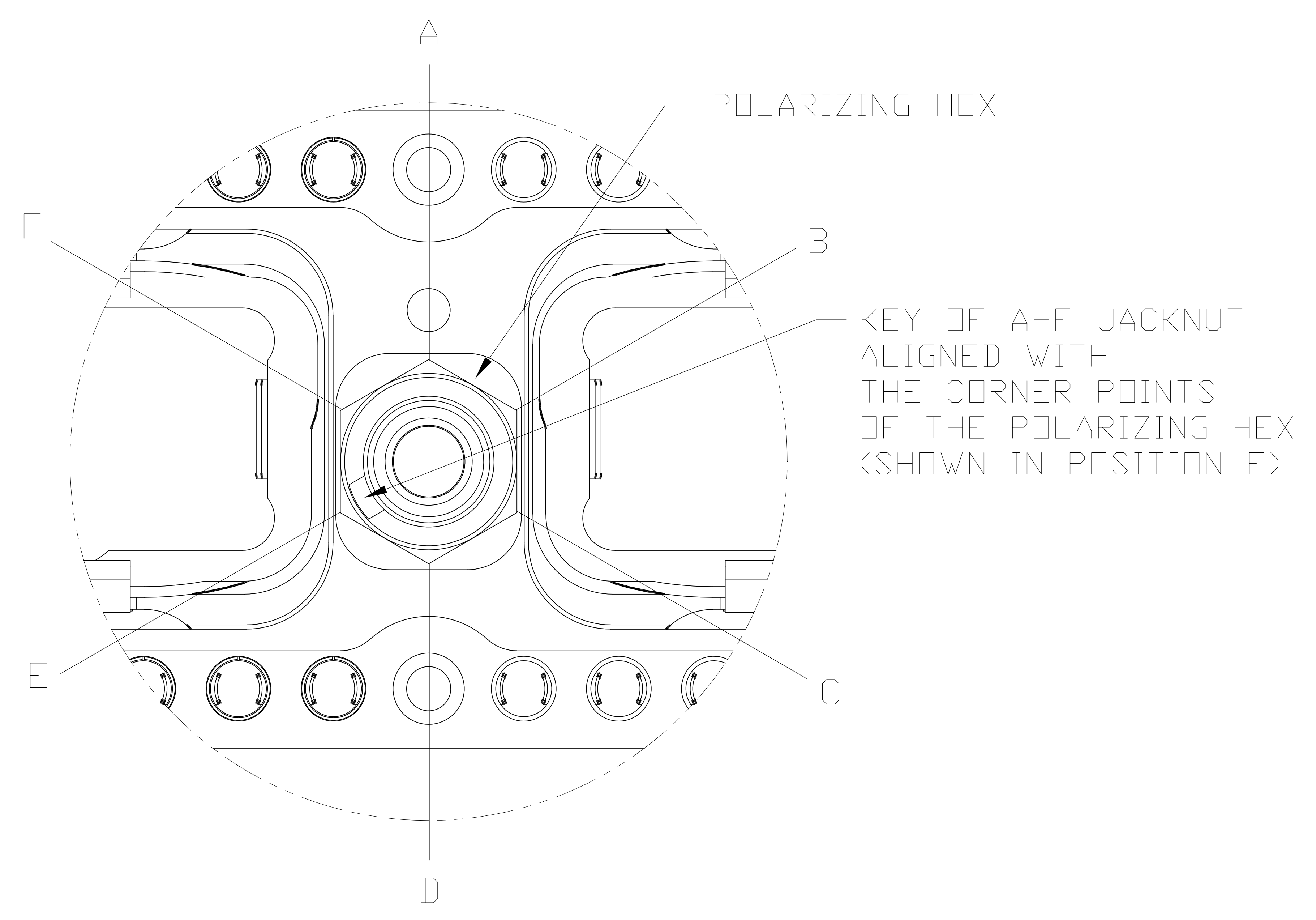
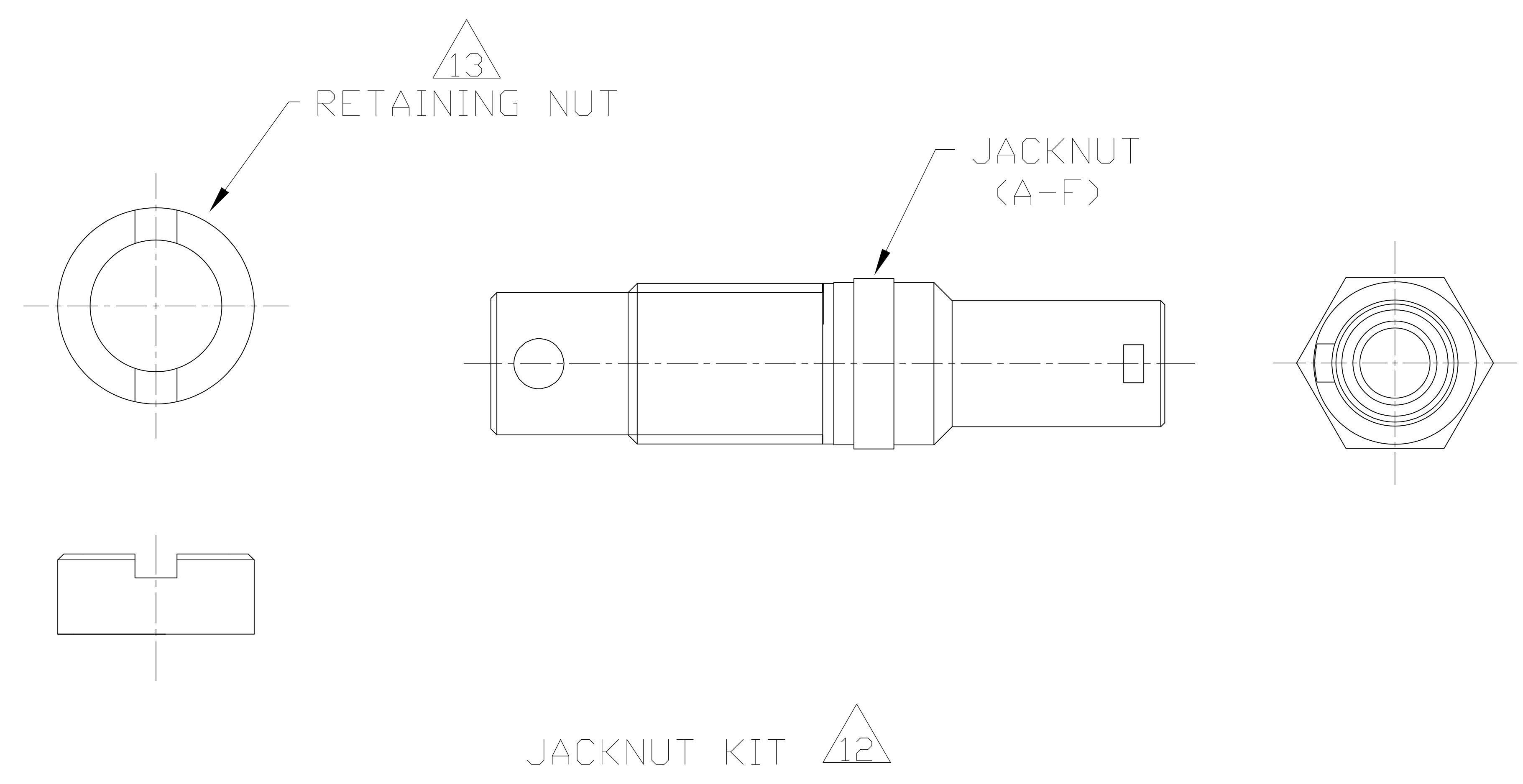
16. THIS PRODUCT IS SOLD BY TYCO ELECTRONICS UNDER A LICENSE FROM RADIALL SA.



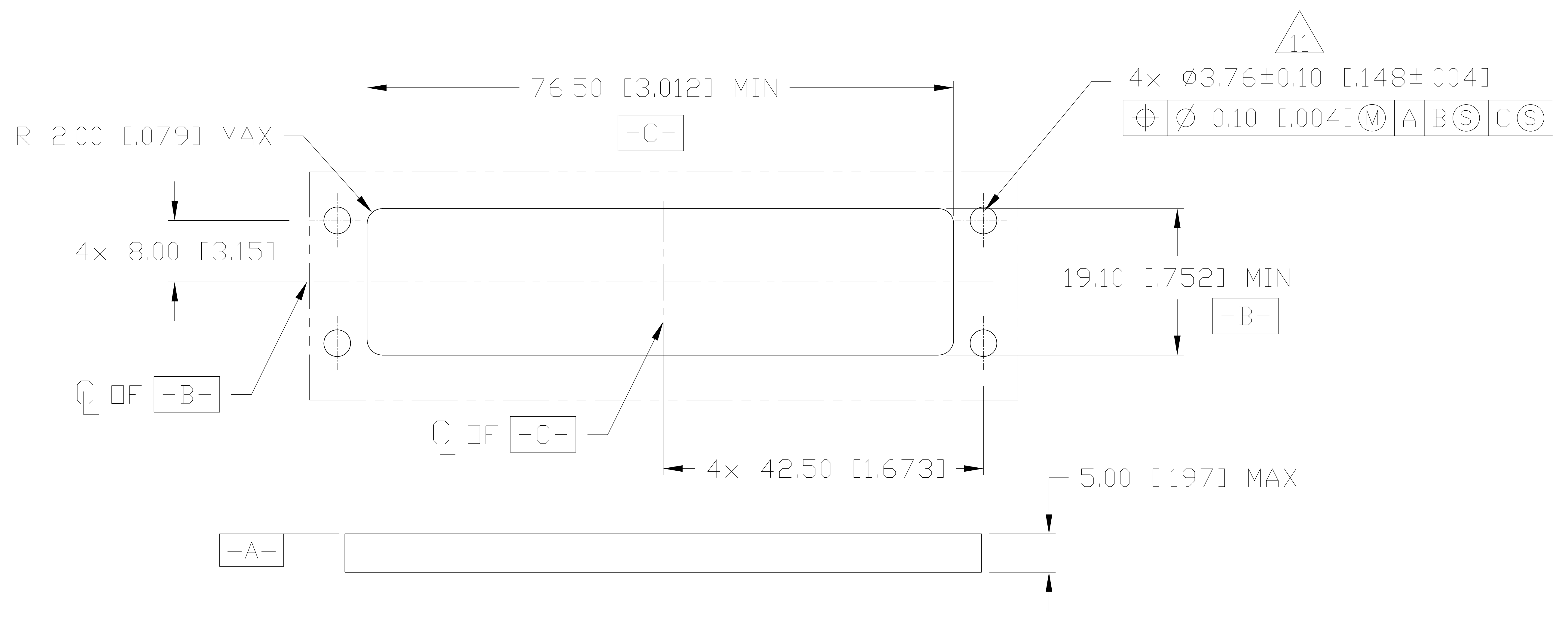
THIS PRINT IS
PRELIMINARY
 UNQUALIFIED PRODUCT
 CONTACT PRODUCT ENGINEERING
 BEFORE USING THIS PRINT

1738305-1
 PART NUMBER

THIS DRAWING IS A CONTROLLED DOCUMENT.		REV	DATE	BY	APP'D
DIMENSIONS: UNLESS OTHERWISE SPECIFIED:		1	09/04	RF	JM
mm (INCHES)		2	07APR10	RF	JM
Ø	0.0125 (0.0005)	Tyco Electronics Corporation Harrisburg, Pa 17105-3608			
□	0.025 (0.0010)	RECEPTACLE SHELL KIT, WITH GROUND BLOCK, REAR PANEL MOUNT, WITH A-F JACKNUT, GPRB2			
□	0.050 (0.0020)	SIZE: 1.185 (0.047)			
□	0.125 (0.0050)	DRAWING NO: 1738305			
□	0.250 (0.0100)	SCALE: 1:1			
□	0.500 (0.0200)	SHEET 1 OF 2			
□	1.270 (0.0500)	REV 2			
MATERIAL: ALUMINUM ALLOY 6061 T651		CUSTOMER DRAWING			



DETAIL A - JACKNUT KIT ASSEMBLED



RECOMMENDED PANEL CUTOUT

THIS PRINT IS
PRELIMINARY
UNQUALIFIED PRODUCT
CONTACT PRODUCT ENGINEERING
BEFORE USING THIS PRINT

1738305-1
PART NUMBER

THIS DRAWING IS A CONTROLLED DOCUMENT.		REV	DATE	BY	CHKD	APPD	DESCR	DATE	BY	CHKD	APPD
DIMENSIONS: mm (INCHES)		1									
TOLERANCES UNLESS OTHERWISE SPECIFIED:		0.15	0.15	0.15	0.15	0.15	0.15	0.15	0.15	0.15	0.15
MATERIAL:		FINISH:		TYPICAL FINISH:		TYPICAL FINISH:		TYPICAL FINISH:		TYPICAL FINISH:	
CUSTOMER DRAWING		SCALE: 1:1		SHEET 2 OF 2		REV 2		DRAWING NO: A000779		PART NUMBER: 1738305	