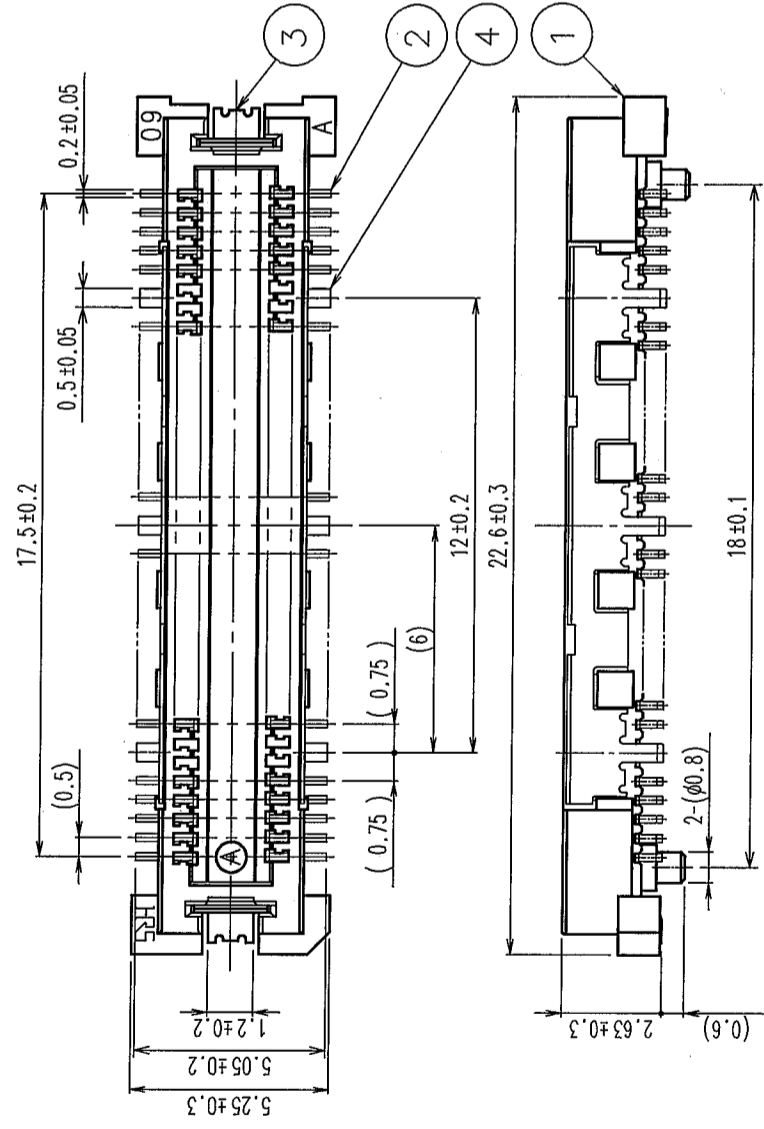
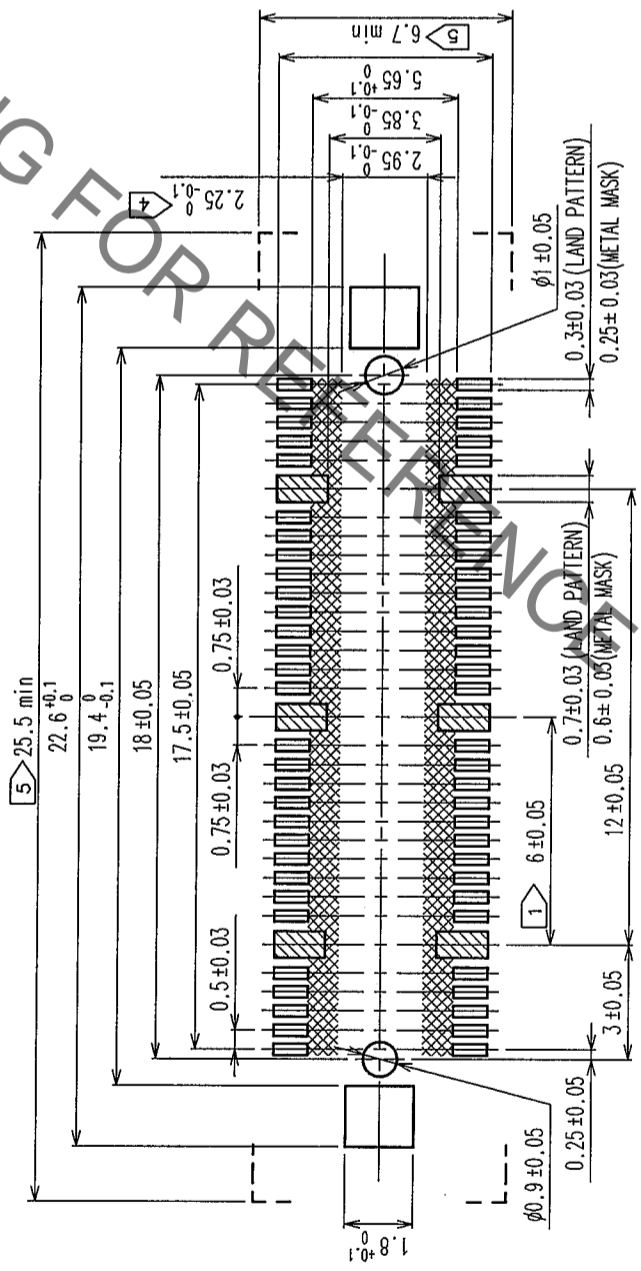


COUNT	DESCRIPTION OF REVISIONS	BY	CHKD	DATE	COUNT	DESCRIPTION OF REVISIONS	BY	CHKD	DATE
△					△				
△					△				
△					△				

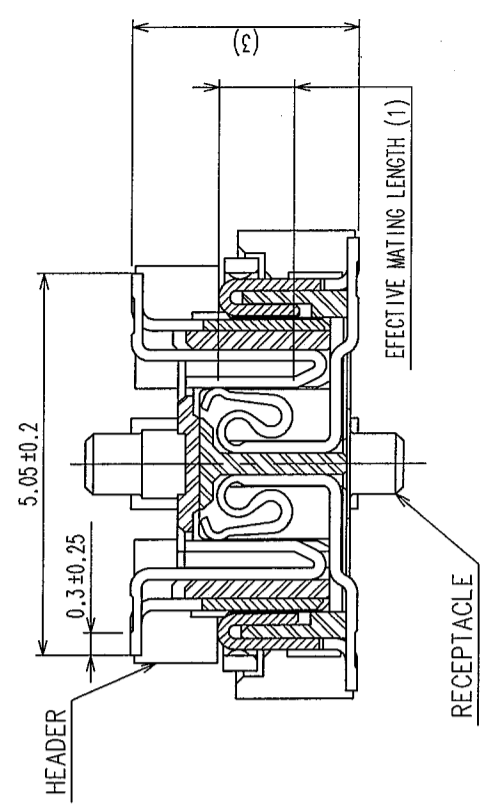


RECOMMENDED LAND PATTERN DIMENSION OF PCB

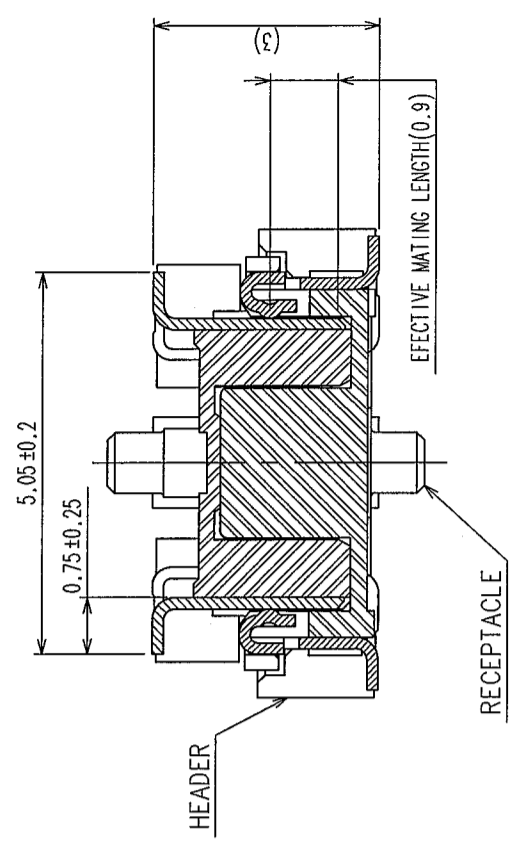


- NOTES
- 1 HATCHED PARTS: GROUND CIRCUIT.
  - 2 SMT LEAD-COPPLANARITY: 0.1 MAX.
  - 3 THIS PRODUCT HAS NO POLARITY TO PATTERN FOR MOUNTING.
  - 4 MAKE SURE WIDTH OF PATTERN IS WITHIN THAT OF LAND, OR LEAD MAY TOUCH PATTERN. (THIS APPLIES TO HATCHED AREA.)
  - 5 DO NOT MOUNT OTHER DEVICES ONTO [ ] AREA, OR MATING PAIR CANNOT BE MATED.
  - 6 DIMENSION IN PARENTHESES ARE FOR REFERENCE.

SIGNAL PORTION CROSS SECTION (10:1)



GROUND PORTION CROSS SECTION (10:1)



3,4	PHOSPHOR BRONZE	TIN PLATING	2	COPPER ALLOY	CONTACT AREA : GOLD 0.1μm min.
1	LCP	BEIGE UL94V-0			MOUNTING AREA : GOLD FLASH
NO.	MATERIAL	FINISH, REMARKS	NO.	MATERIAL	UNDER PLATING : NICKEL 1μm min.
CODE NO. (OLD)	CL		DRAWN	DESIGNED	FINISH, REMARKS
			T. YAMAGISAWA	J. Mada	APPROVED
			'05.10.11	'05.10.12	RELEASED
				'05.10.12	
DRAWING NO.		PART NO.			
EDC3-152614-25		FX11A-60P/6-SVO.5(71)			
SCALE	5 : 1	CODE NO.	CL573-0602-4-71		
UNITS	mm	HIROSE ELECTRIC CO., LTD.			

TO