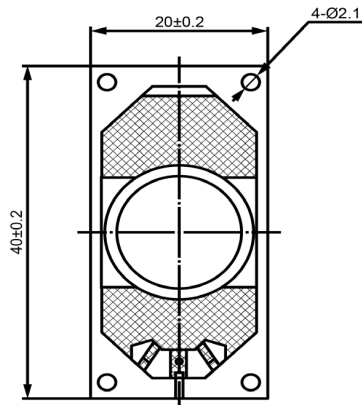
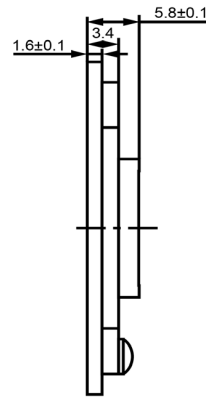


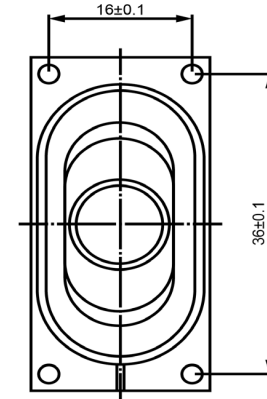
TOP VIEW





SIDE VIEW



BOTTOM VIEW



Specifications			Notes	Revision History							
Description	Value	Unit		Version	Description		Date	Approved			
Shape	Rectangle		1) All dimensions are in mm unless otherwise noted 2) All parts meet RoHS	1	Released from Engineering		2/5/2014	J.S.			
Resonant Frequency	650	(Hz)									
Frequency Range	200 ~ 20,000	(Hz)									
SPL @ 10cm	90	(dBA)									
Impedance	8	(Ohm)									
Cone Material	Cloth										
Nominal Power	2.0	(W)									
Max Power	2.5	(W)									
Mount Type	Frame Mount										
Operating Temperature	-40 ~ +85	°C									
Storage Temperature	-40 ~ +85	°C									
Weight	7.6	(g)									
 DB UNLIMITED			 High Temp Dynamic Speaker			SC400608-1					
						Drawn by G.W.	Date 1/27/2014	Checked by C.E.	Date 2/5/2014	Approved by J.S.	Date 2/5/2014

Additional considerations can be found at www.dbunlimitedco.com/technical-articles.