

TECHNICAL SPECIFICATION:

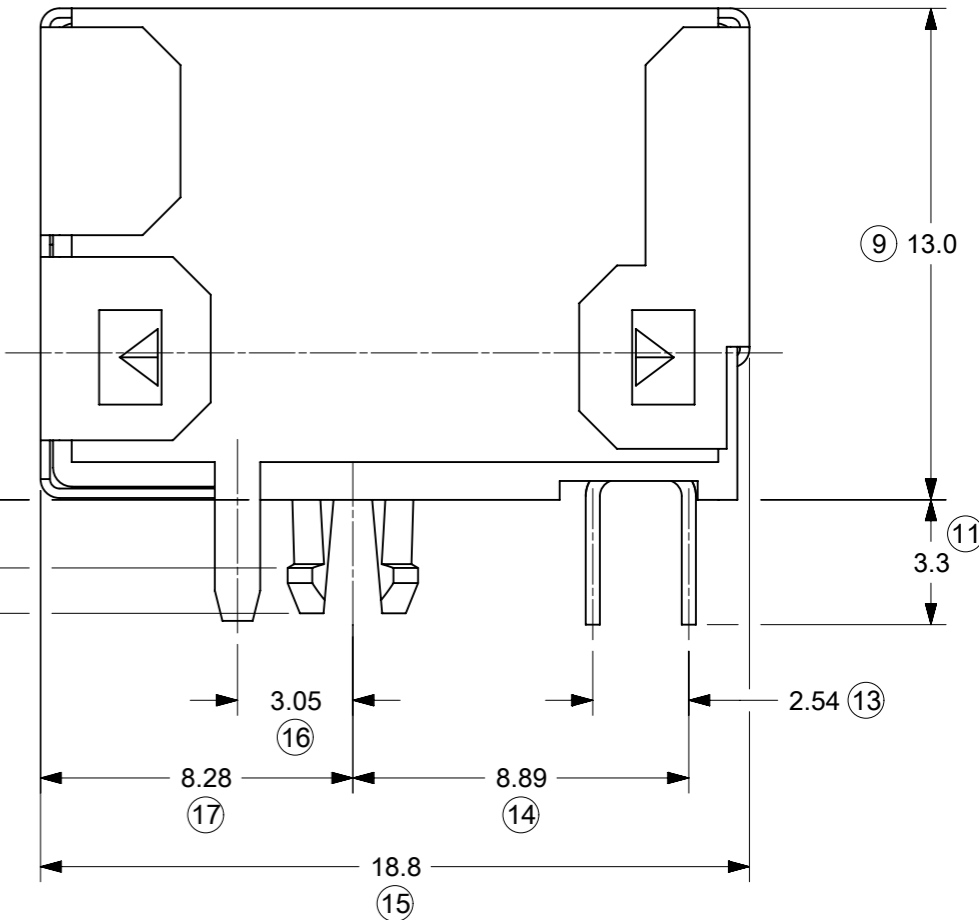
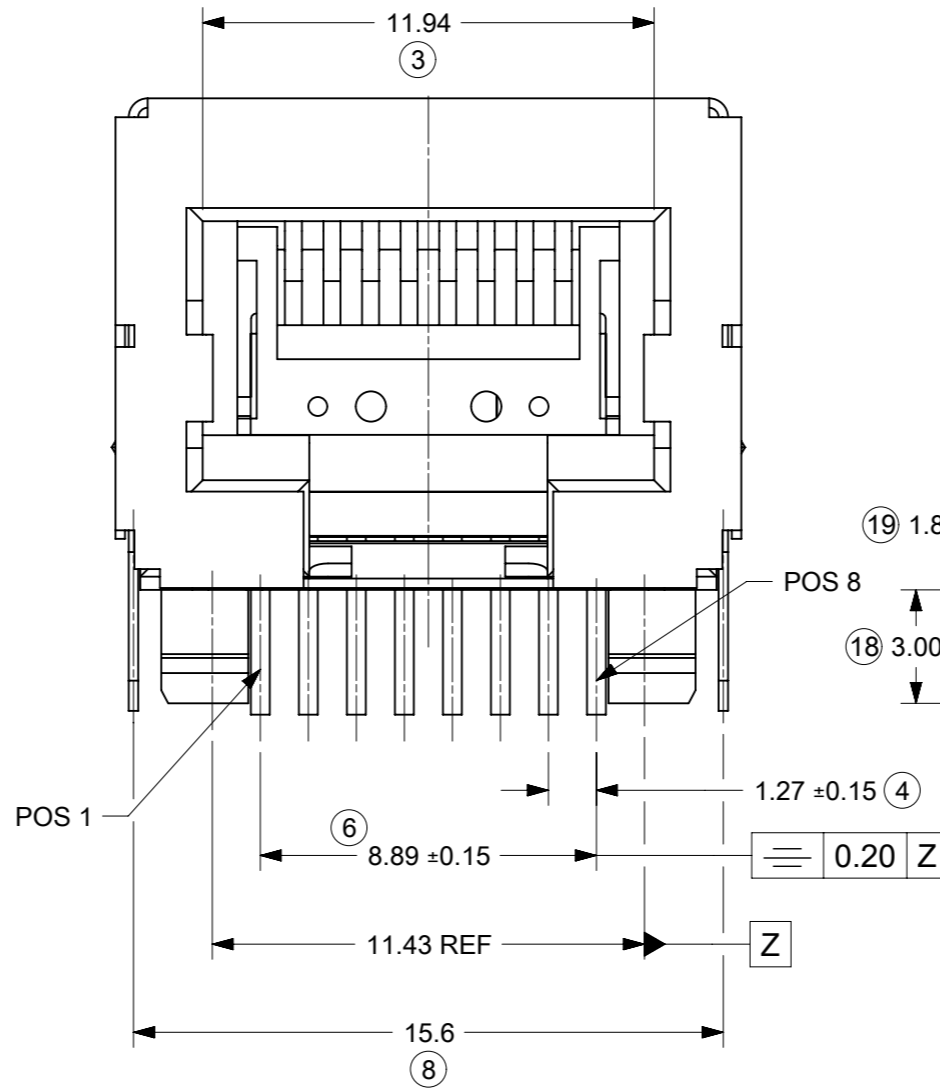
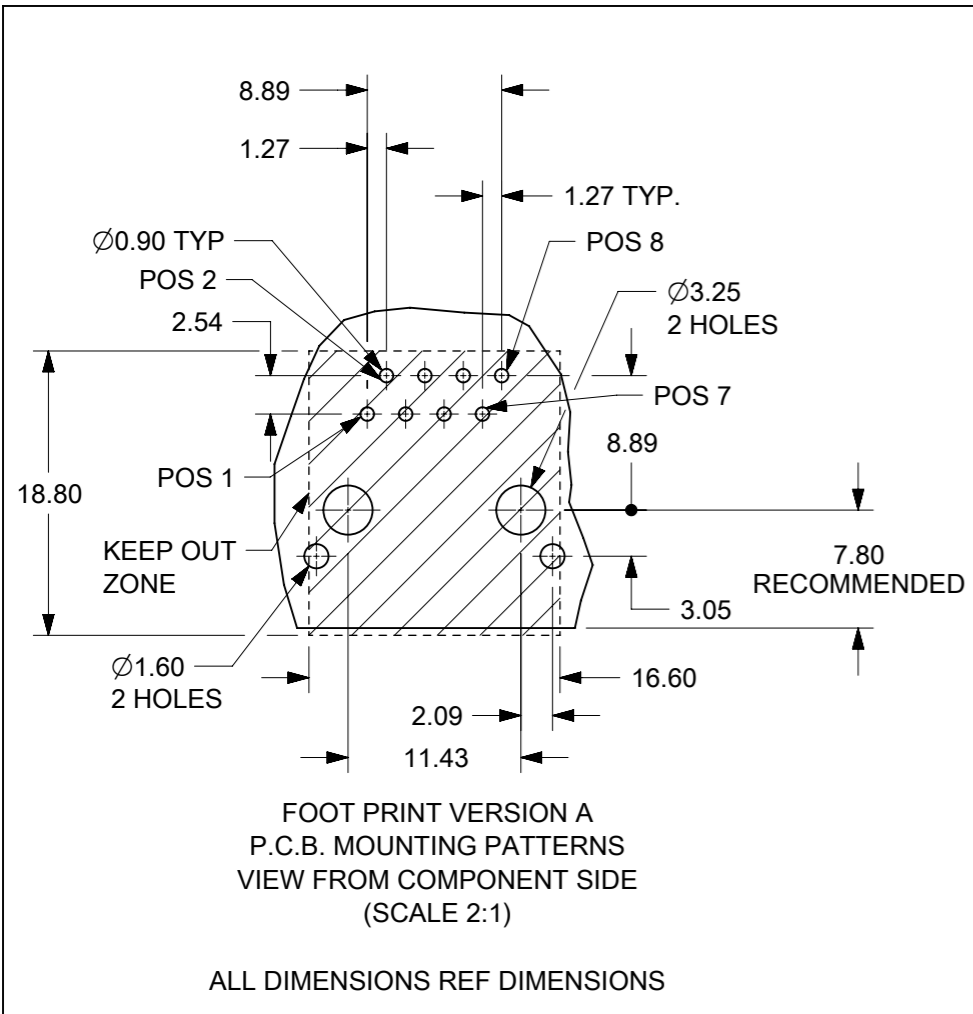
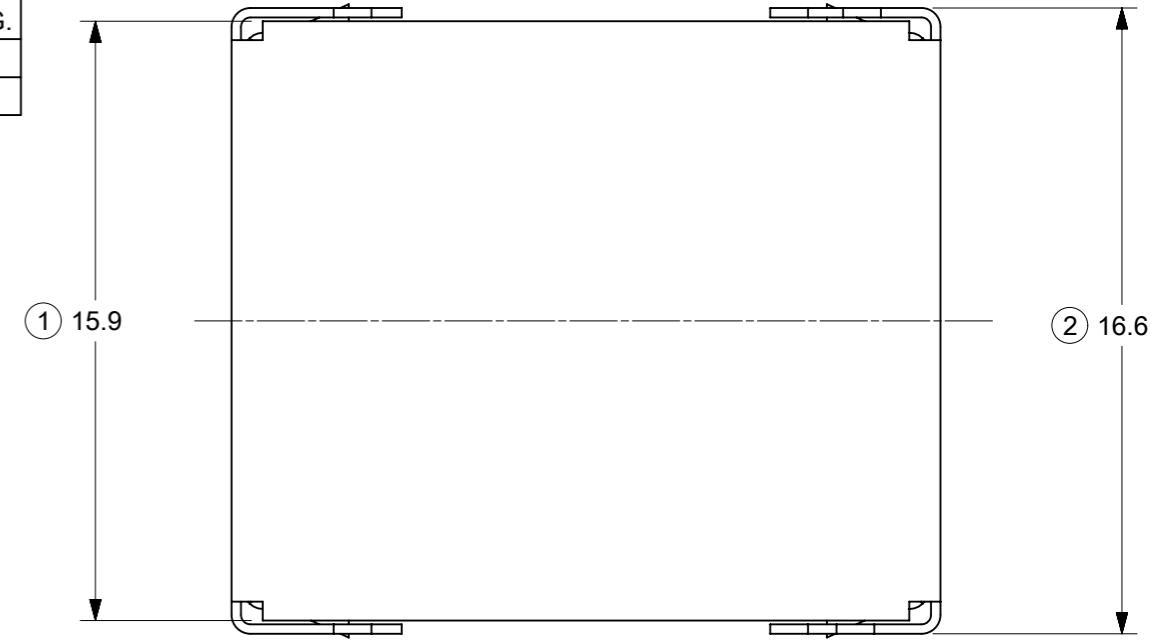
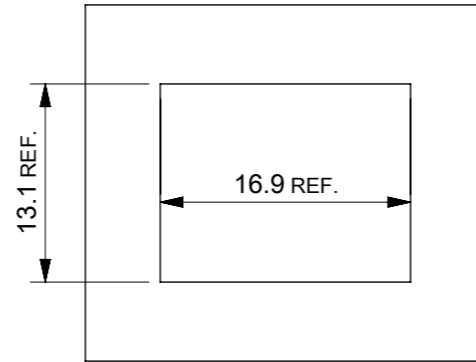
1- MATERIAL:

HOUSING: L C P GLASS FILLED UL 94V0 COLOR BLACK
 TERMINAL: PHOSPHOR BRONZE PLATED WITH:
 BASE FINISH: NICKEL
 CONTACT SURFACE FINISH:
 GOLD
 OR
 GOLD FLASH OVER PALLADIUM NICKEL.
 EXCEEDS PRODUCT REQUIREMENTS BASED ON PS-85543-002

SHIELD: BRASS PLATED WITH TIN

ENG.N°.	FOOTPRINT VERSION	HOUSING SIZE	LOADED CKTS	PANEL GROUND	TOOLED	PACKAGING SPEC. TUBE PACKAGING.
85505-5113	A	8	8	NO	YES	PK-95122-006

**SUGGESTED PANEL CUTOUT
SCALE 2:1**



NOTES:

- 1- JACK FOR MATING WITH SHIELDED PLUG MOLEX 95043 AND 85568 SERIES.
- 2- PRODUCT SPECIFICATION: MOLEX PS- 85543-002
- 3- APPLICATION SPECIFICATION: MOLEX AS-85513-001
- 4- PACKAGING SPECIFICATION: SEE CHART
- 5- P.C. BOARD THICKNESS: 1.57
- 6- EXCEEDS CATEGORY 5E PERFORMANCE.

LAST INSPECTION NUMBER: 19
 REMOVED INSPECTION NUMBERS: 7, 10, 12.

THIS DRAWING CONTAINS INFORMATION THAT IS PROPRIETARY TO MOLEX ELECTRONIC TECHNOLOGIES, LLC AND SHOULD NOT BE USED WITHOUT WRITTEN PERMISSION									
DIMENSION UNITS		SCALE		CURRENT REV DESC: ADDED PANEL CUTOUT					
mm		5:1		<p>HIGH SPEED MODULAR JACK R/A FULLY SHIELDED THROUGH HOLE - VERSION A</p> <p>PRODUCT CUSTOMER DRAWING</p>					
GENERAL TOLERANCES (UNLESS SPECIFIED)									
ANGULAR TOL ± 2.0°									
4 PLACES ±		EC NO: 735778							
3 PLACES ±		DRWN: ASWINA 2022/12/26							
2 PLACES ± 0.25		CHK'D: KLANG 2023/01/27							
1 PLACE ± 0.35		APPR: KLANG 2023/01/27		INITIAL REVISION:		DOCUMENT NUMBER		DOC TYPE DOC PART REVISION	
0 PLACES ±		DRWN: DBYRNES 2013/02/13		2013/02/13		SD-85505-106		PSD 001 H2	
DRAFT WHERE APPLICABLE MUST REMAIN WITHIN DIMENSIONS		THIRD ANGLE PROJECTION		DRAWING		SERIES		MATERIAL NUMBER CUSTOMER SHEET NUMBER	
		A3-SIZE		85505		SEE TABLE GENERAL MARKET		1 OF 1	