

6

5

4

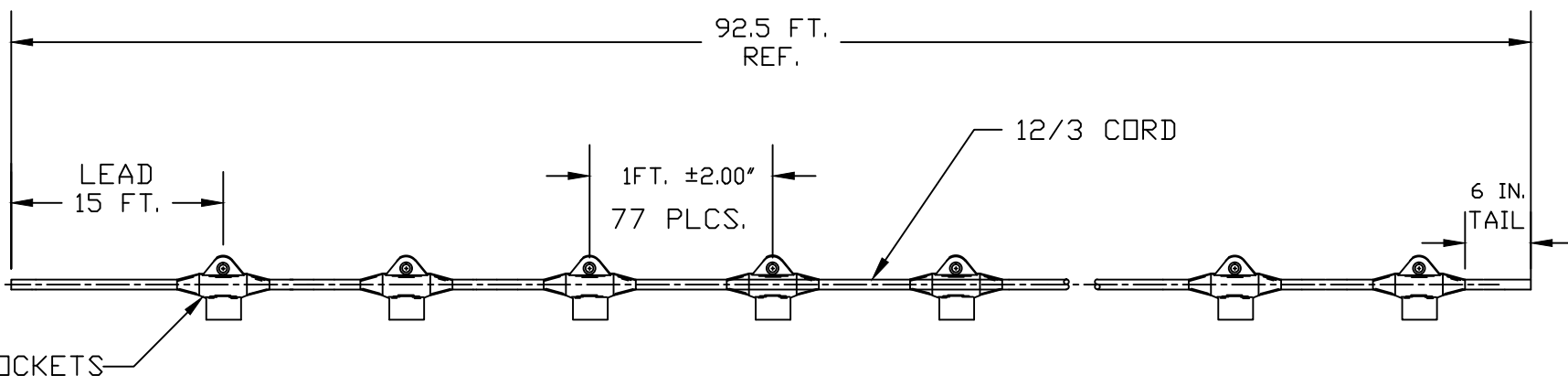
3

2

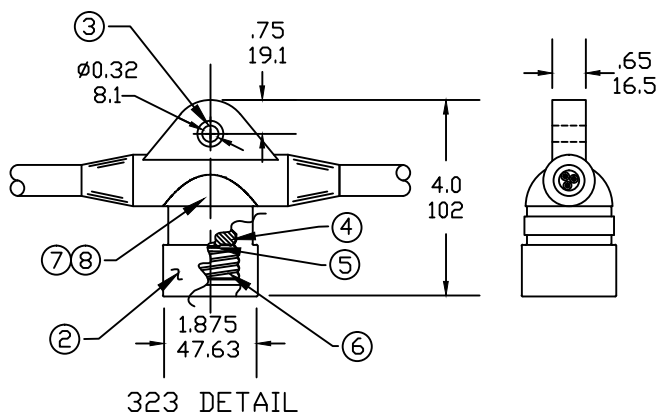
1

E

E



[QTY-78] 323 MOLDED SOCKETS  
CORD #12/3 SOW BLACK



ITEM	DESCRIPTION	MATERIAL
1	#12-3 BLACK CABLE	SOOW/COPPER
2	MOLDED SOCKETS BLACK	NITRILE/PVC
3	EYELET	BRASS
4	BUTTON WHITE	PORCELAIN
5	RIVET	BRASS
6	SCREWSHELL	COOPER
7	1 CONDUCTOR WIRE BLACK	NEOPRENE
8	1 CONDUCTOR WIRE WHITE	NEOPRENE

B

B

A

A

CUSTOMER APPROVAL DRAWING EC NO: IPC2013-0082 DRWN: HKNEELAN 2012/07/18 CHKD: HKNEELAN APPR: DTITUS 2012/08/03	QUALITY SYMBOLS $\nabla = 0$ $\nabla C = 0$	GENERAL TOLERANCES (UNLESS SPECIFIED)	DIMENSION STYLE INCH	SCALE NTS	DESIGN UNITS INCH	THIRD ANGLE PROJECTION																											
		<table border="1"> <thead> <tr> <th></th> <th>mm</th> <th>INCH</th> </tr> </thead> <tbody> <tr> <td>4 PLACES</td> <td><math>\pm .05</math></td> <td><math>\pm .0015</math></td> </tr> <tr> <td>3 PLACES</td> <td><math>\pm .02</math></td> <td><math>\pm .00075</math></td> </tr> <tr> <td>2 PLACES</td> <td><math>\pm .01</math></td> <td><math>\pm .000375</math></td> </tr> <tr> <td>1 PLACE</td> <td><math>\pm .005</math></td> <td><math>\pm .0001875</math></td> </tr> </tbody> </table>		mm	INCH	4 PLACES	$\pm .05$	$\pm .0015$	3 PLACES	$\pm .02$	$\pm .00075$	2 PLACES	$\pm .01$	$\pm .000375$	1 PLACE	$\pm .005$	$\pm .0001875$	<table border="1"> <thead> <tr> <th>DRAWN BY</th> <th>DATE</th> </tr> </thead> <tbody> <tr> <td>HKNEELAN</td> <td>2012/07/18</td> </tr> <tr> <th>CHECKED BY</th> <th>DATE</th> </tr> <tr> <td>HKNEELAN</td> <td>2012/07/18</td> </tr> <tr> <th>APPROVED BY</th> <th>DATE</th> </tr> <tr> <td>DTITUS</td> <td>2012/08/03</td> </tr> </tbody> </table>	DRAWN BY	DATE	HKNEELAN	2012/07/18	CHECKED BY	DATE	HKNEELAN	2012/07/18	APPROVED BY	DATE	DTITUS	2012/08/03	TITLE <b>STRINGLIGHT 92.5 ALL BLK (78) 323 SCKTS, 1' SPNGS 15' LDR AND 6" TAIL</b>		
		mm	INCH																														
	4 PLACES	$\pm .05$	$\pm .0015$																														
3 PLACES	$\pm .02$	$\pm .00075$																															
2 PLACES	$\pm .01$	$\pm .000375$																															
1 PLACE	$\pm .005$	$\pm .0001875$																															
DRAWN BY	DATE																																
HKNEELAN	2012/07/18																																
CHECKED BY	DATE																																
HKNEELAN	2012/07/18																																
APPROVED BY	DATE																																
DTITUS	2012/08/03																																
DRAFT WHERE APPLICABLE MUST REMAIN WITHIN DIMENSIONS	MATERIAL NO. <b>1301060175</b>	DOCUMENT NO. <b>SD-130106-035</b>	SHEET NO. <b>1 OF 1</b>																														

6

5

4

3

2

1

THIS DRAWING CONTAINS INFORMATION THAT IS PROPRIETARY TO MOLEX INCORPORATED AND SHOULD NOT BE USED WITHOUT WRITTEN PERMISSION