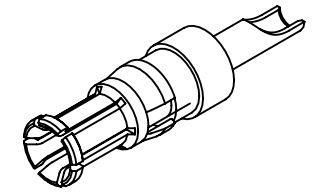
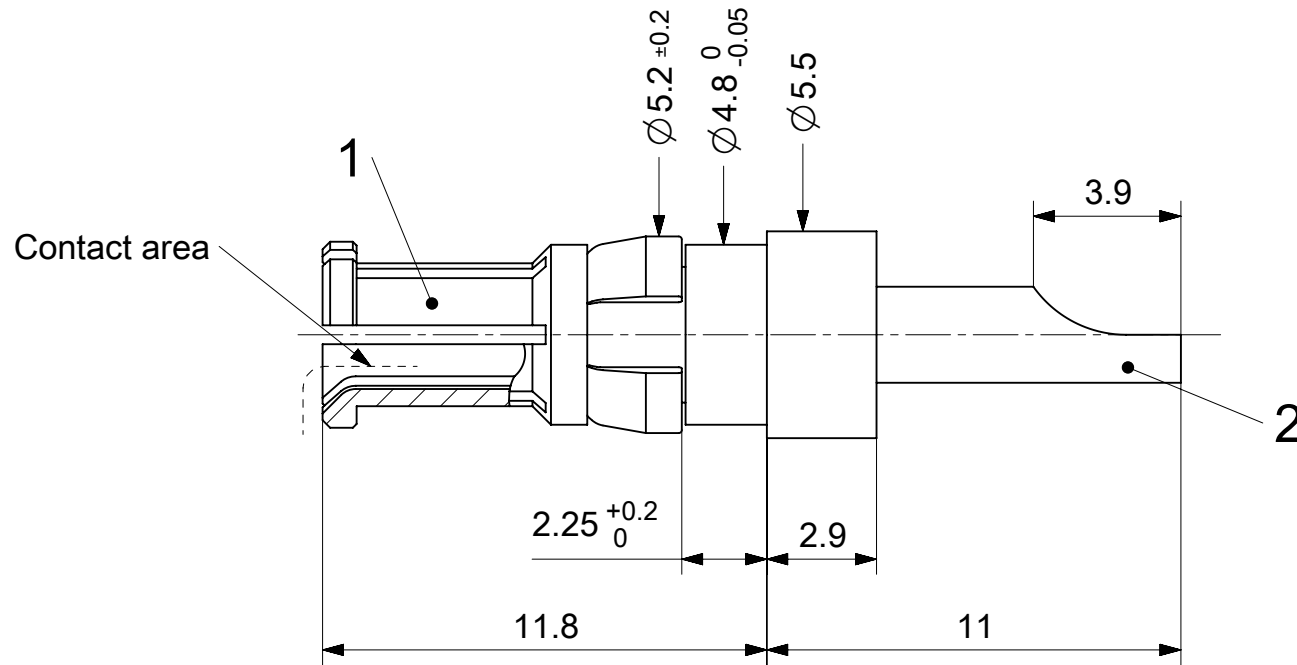


For plug $\varnothing 2.7\text{mm}$



2:1

RoHS compliant
by exemption

1731120045	FMA026S103	103
1731121807	FMA026S104	104
1731121195	FMA026S105	105
Material Number	FCT Part Number	Material + Finish See extra sheet

UNLESS OTHERWISE SPECIFIED DIMENSIONS FOR REFERENCE ONLY				REPLACEMENT FOR DOCUMENT NUMBER: FMA026S			
THIS DRAWING CONTAINS INFORMATION THAT IS PROPRIETARY TO MOLEX ELECTRONIC TECHNOLOGIES, LLC AND SHOULD NOT BE USED WITHOUT WRITTEN PERMISSION							
FUNCTIONAL SYMBOLS	DIMENSION UNITS	SCALE	CURRENT REV DESC:				
$\frac{F}{A} = 0$	mm	5:1	EC NO: 710158 DRWN: VLOKESHA 2021/06/14 CHK'D: FVETTER 2022/06/13 APPR: FVETTER 2022/06/13 INITIAL REVISION: DRWN: VLOKESHA 2021/06/14 APPR: FVETTER 2022/06/13				
$\frac{F}{E} = 0$	GENERAL TOLERANCES (UNLESS SPECIFIED)						
$\frac{F}{P} = 0$	ANGULAR TOL \pm °						
DIVISIONAL SYMBOLS	4 PLACES	\pm					
	3 PLACES	\pm					
	2 PLACES	\pm	PRODUCT CUSTOMER DRAWING				
	1 PLACE	\pm	DOCUMENT NUMBER		DOC TYPE	DOC PART	REVISION
	0 PLACES	\pm	1731120045		PSD	000	A
DRAFT WHERE APPLICABLE MUST REMAIN WITHIN DIMENSIONS		FIRST ANGLE PROJECTION	DRAWING	SERIES	MATERIAL NUMBER	CUSTOMER	SHEET NUMBER
			A4-SIZE	173112	SEE TABLE	GENERAL MARKET	1 OF 1

DOCUMENT STATUS	P1	RELEASE DATE	2022/06/13	13:27:14
-----------------	----	--------------	------------	----------