

| SYN | DESCRIPTION | DATE | APPROVED |
|-----|---|----------|----------|
| G | 35448 NOTE 6 ADDED | 98/05/04 | RS |
| H | 39042 ITEM 6 AND 7 ADDED | 99/03/29 | RS |
| J | 14-016299 REMOVED ITEM 6 (1) 3529-024 OVER LAY/REMOVED ITEM 7 (2) 3529-001 OVER LAY/ADDED MAX TD .280 | 14/10/28 | MDM |

FAA/PMA

3 PDI
RESISTIVE INDUCTIVE MOTOR LAMP
20 15 5 4

10A IND. MIL-R-6106 .7 P.F. LAGGING, 10,000 OPERATIONS MINIMUM
50,000 OPERATIONS, MINIMUM AT RATED
RESISTIVE LOAD
3 MILLISECONDS MAXIMUM-
CONTINUOUS

ELECTRICAL
CONTACT FORM
CONTACT RATING (AMPS/POLE
AT 115 VAC AND 28 VDC)

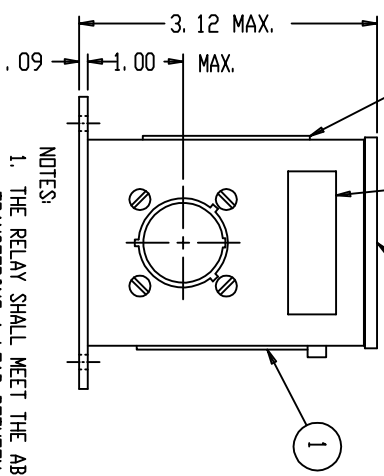
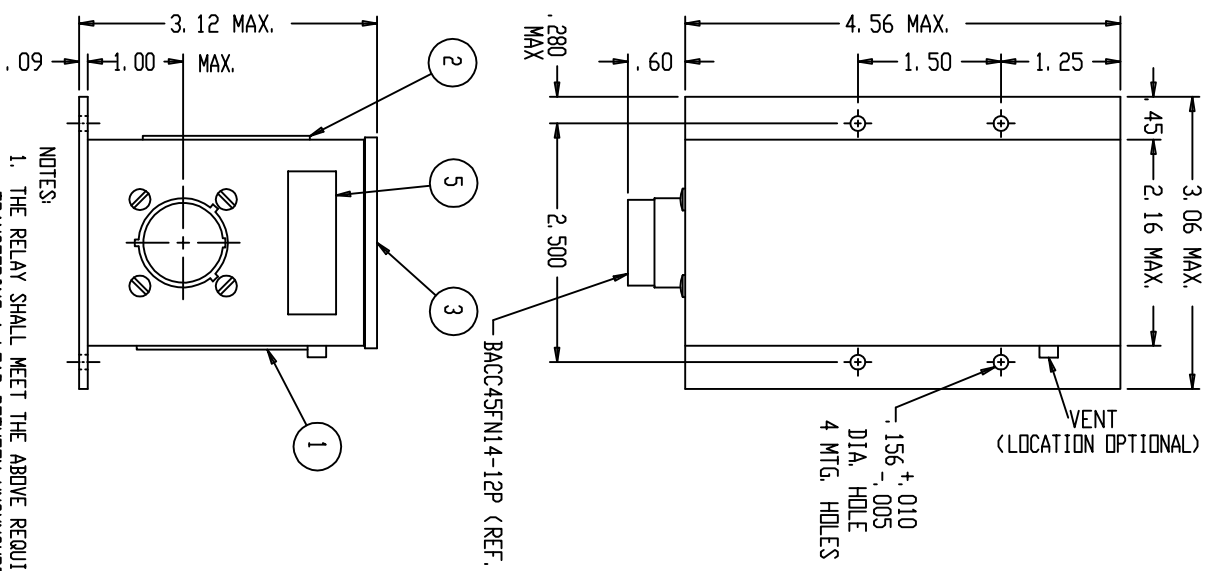
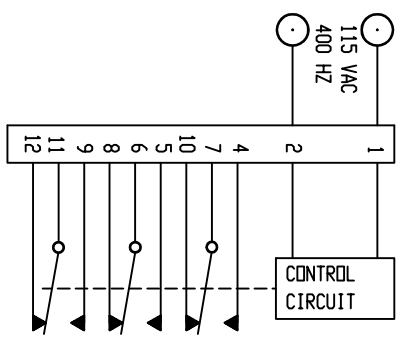
115 VAC, RMS L-N
122 VAC, RMS L-N
400 ± 20 HZ
109 ± 2 VRMS
75 MILLISECONDS MAXIMUM
104 ± 2 VRMS
WHEN THE RELAY IS IN THE ENERGIZED POSITION
AND THE VOLTAGE DROPS BELOW 104 ± 2 VRMS AND
ABOVE 88 ± 4 VRMS THE RELAY SHALL REMAIN
ENERGIZED FOR 200-400 MSEC. WHEN THE
VOLTAGE DROPS BELOW 88 ± 4 VRMS AND ABOVE
8 ± 1 VRMS THE RELAY SHALL REMAIN ENERGIZED
FOR 50-400 MSEC. BELOW 8 ± 1 VRMS THE RELAY
SHALL DEENERGIZE IN 400 MSEC. MAXIMUM.

PER MIL-STD-704A
200 MAX. MILLIAMPS AT 25° C
1000 VRMS, 60 HZ. 1 MIL/AMP MAX. LEAKAGE

1000 MEGOHMS, MINIMUM AT 500 VDC AT 20° C AND 50% RH (MAX.)

-55° C TO +85° C (OPERATING)
-55° C TO +125° C (NON-OPERATING)
.060 DIA 5 TO 80 HZ. 20 G'S 80 TO
2000 HZ.
30 G'S, 11 MILLISECOND, 1/2 SINE,
3 AXES
20 G'S IN ANY AXIS-
0 TO 50,000 FEET

18 DZ.
GASKET SEALED (VENTED)
HERMATIC SEALED CONTACTS
ALUMINUM COVER AND MOUNTING FLANGES
BLACK LACQUER PAINT GLASS MAT
POLYESTER TOP



INPUT VOLTAGE TRANSIENTS
OPERATING CURRENT
DIELECTRIC WITHSTANDING
VOLTAGE
INSULATION RESISTANCE
AMBIENT TEMPERATURE
VIBRATION
SHOCK
ACCELERATION
ALTITUDE
MECHANICAL
HEIGHT
CONSTRUCTION

NOTES:

1. THE RELAY SHALL MEET THE ABOVE REQUIREMENTS WHEN TRANSFERRING A LOAD BETWEEN UNSYNCHRONIZED AC POWER SOURCES.
2. DUE TO CONNECTOR PIN GAGE RATING (#16), THE MAXIMUM CONTINUOUS CURRENT RATING IS 20 AMPERE. PINS 4, 7, AND 10.
3. DUE TO CONNECTOR PIN GAGE RATING (#20), THE MAXIMUM CONTINUOUS CURRENT RATING IS 10 AMPERE. PINS 5, 6, 8, 9, 11, AND 12.
5. CONTACT VOLTAGE DROP 250 MW. MAX.
6. FAA/PMA PLATE (AND OVERLAY) NOT REQUIRED ON UNITS SUPPLIED TO ORIGINAL EQUIPMENT MANUFACTURERS.

| REV | DATE | DESCRIPTION | BY | CHKD | APPV | SCALE | SHEET |
|-----|------|-------------|----|------|------|-------|-------|
| 7 | | | | | | | |
| 6 | | | | | | | |
| 5 | | | | | | | |
| 4 | | | | | | | |
| 3 | | | | | | | |
| 2 | | | | | | | |
| 1 | | | | | | | |

| | | | |
|---|-------------|-----|----------|
| UNLESS OTHERWISE SPECIFIED DIMENSIONS ARE IN INCHES TOLERANCES IN | DR BY | MES | 99/04/12 |
| ± .06 | CHK BY | RS | 99/04/22 |
| ± .010 | ENGR | EAD | 99/04/22 |
| ± 1° | MFG | CC | 99/04/22 |
| | RELEASE | | |
| | CONTR. NDL. | | |
| | GOVT. APPV. | | |

| | | | |
|------|-------|-------|----------|
| SIZE | CODE | IDENT | DWG. NO. |
| C | 74063 | | E-308AH |

| | |
|---------------|-----------|
| REF. TE. P/N: | 1616126-4 |
|---------------|-----------|



RELAY-VOLTAGE SENSING