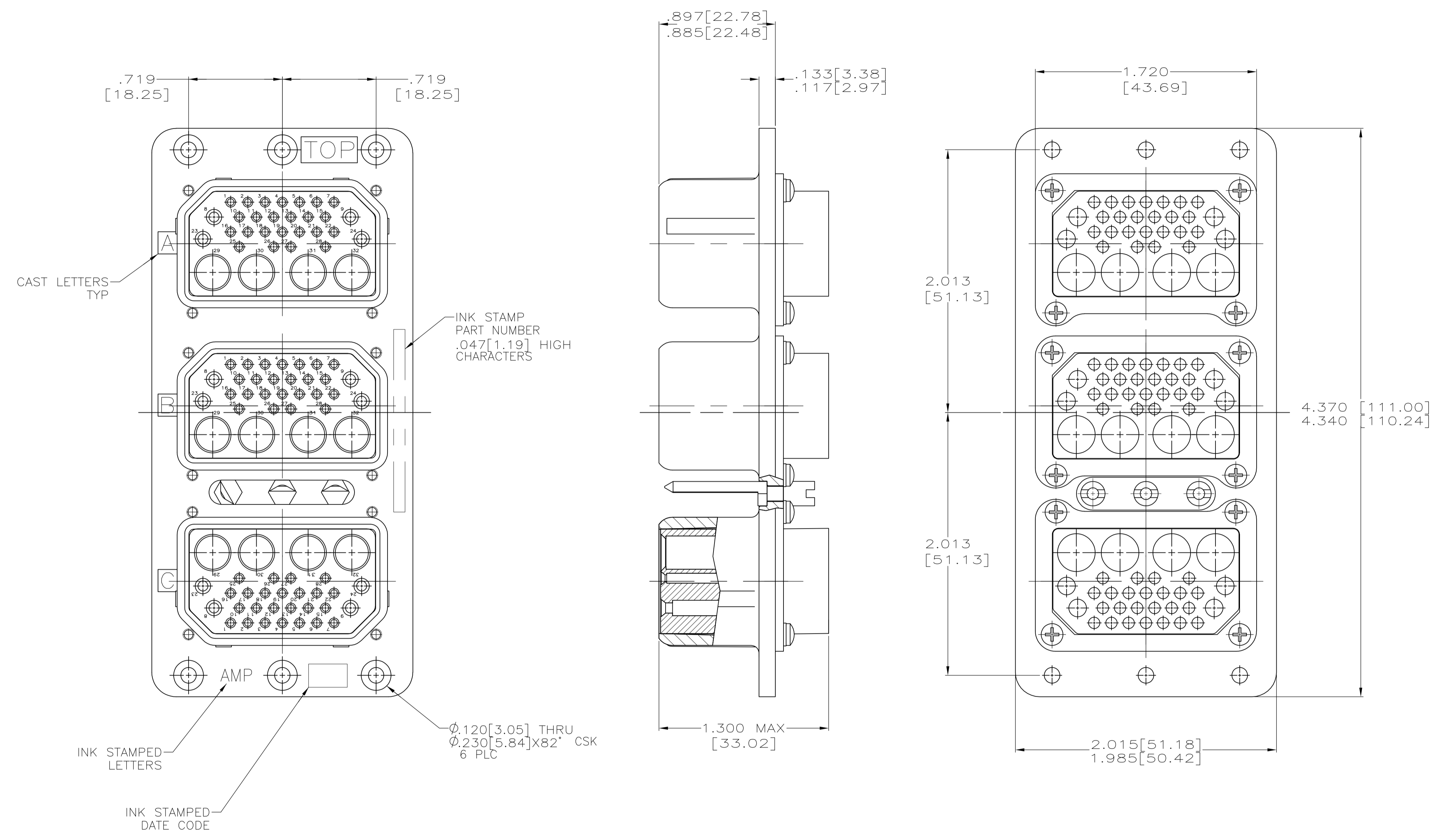


1. MATERIAL AND FINISH:
 SHELL: DIE CAST ALUMINUM ALLOY PER FED. SPEC QQ-A-591.
 STANDARD FINISH: CADMIUM PLATE PER QQ-P-416, TYPE I,
 CLASS 2 YELLOW CHROMATE CONVERSION.
 INSERT RETENTION PLATE: ALUMINUM ALLOY, BLUE ANODIZE
 PER MIL-A-8625.
 SCREWS AND WASHERS: STAINLESS STEEL, PASSIVATED.
 POLARIZING POSTS: STAINLESS STEEL, PASSIVATED.
 POLARIZING NUTS: BRASS, CADMIUM PLATED.



12	SIZE 9 COAX (SOCKET)	225936-2
12	SIZE 16 (SOCKET)	205117-1
72	SIZE 20 (SOCKET)	205116-1
QTY	CONTACT DESCRIPTION	PART NUMBER

THIS DRAWING IS A CONTROLLED DOCUMENT.

DIMENSIONS: INCHES	TOLERANCES UNLESS OTHERWISE SPECIFIED:	DIN T. ALEXANDER 7-10-96	CHK K. GUARAGNO 8-12-96	APVD K. GUARAGNO 8-12-96	NAME RM3P32C4S32C4S32C4S-0005(200) WITH COAX
0 PLC ± .005	1 PLC ± .005	2 PLC ± .005	3 PLC ± .005	4 PLC ± .005	ANGLES ± .005
MATERIAL SEE CALLOUTS	FINISH SEE CALLOUTS	WEIGHT	SIZE A1	CAGE CODE 00779	DRAWING NO. 443195
CUSTOMER DRAWING			SCALE 2:1	SHEET 1 OF 1	REV B

STE TE Connectivity