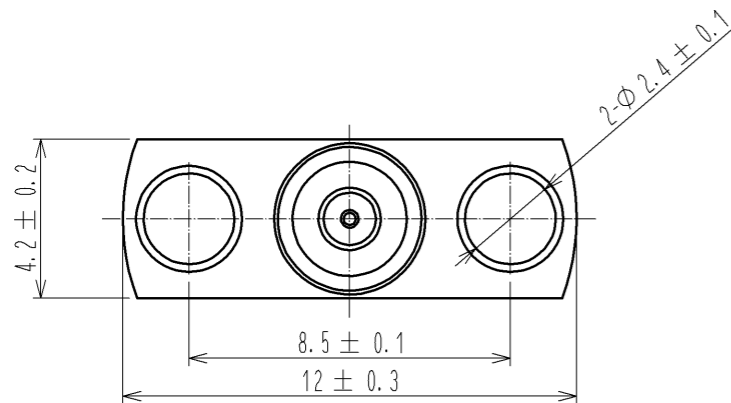
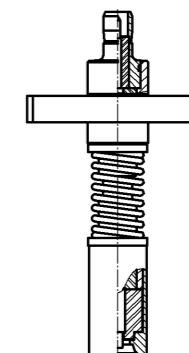
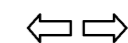


Apr.1.2023 Copyright 2023 HIROSE ELECTRIC CO., LTD. All Rights Reserved.
 In case of consideration for using Automotive equipment / device which demand high reliability, kindly contact our sales window correspondents.



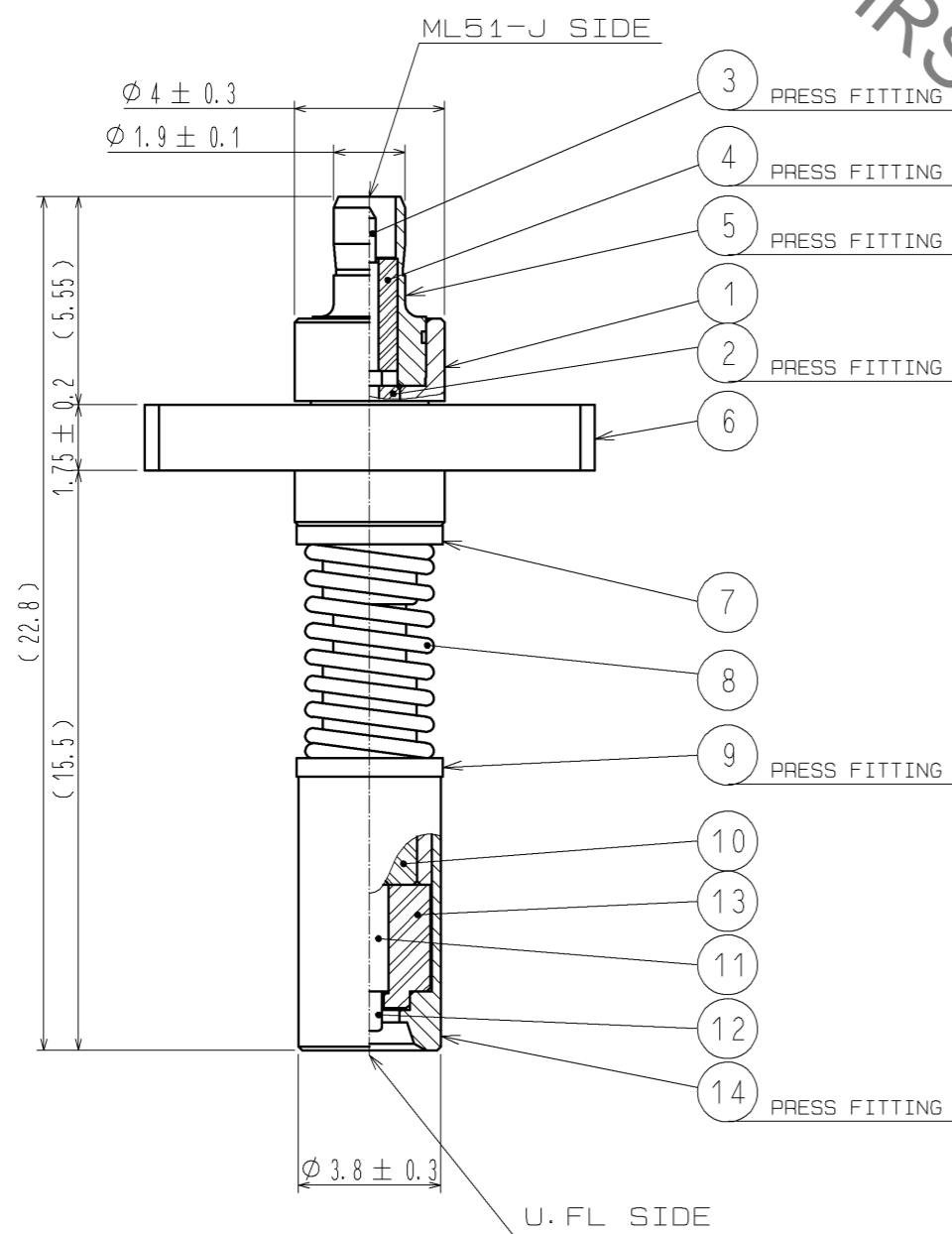
[FLLTING POSITION]

X: ± 0.1
 Y: ± 0.1



- Note 1. The floating portion of U.FLP-ML51.J-PA(F)-ST shall not be used in wrenched conditions nor to be inserted at an angle.
2. Avoid using thick cables or stiff cables which will interfere with the floating function. The cable connection shall be connected properly not to stress and wrench the floating portion.
3. All the dimensions and conditions are guaranteed only when mated to U.FL-R-SMT-1(**) manufactured by Hirose Electric Co.,Ltd.

HRS DRAWING FOR REFERENCE



RoHS COMPLIANT

| 7 | BRASS | NICKEL PLATING | 14 | STAINLESS STEEL | GOLD PLATING |
|-----|------------------|------------------|-----|------------------|------------------|
| 6 | BRASS | NICKEL PLATING | 13 | PTFE | |
| 5 | STAINLESS STEEL | GOLD PLATING | 12 | BERYLLIUM COPPER | GOLD PLATING |
| 4 | PTFE | | 11 | BRASS | GOLD PLATING |
| 3 | BERYLLIUM COPPER | GOLD PLATING | 10 | PTFE | |
| 2 | PTFE | | 9 | PHOSPHOR BRONZE | NICKEL PLATING |
| 1 | BRASS | NICKEL PLATING | 8 | STAINLESS STEEL | |
| NO. | MATERIAL | FINISH . REMARKS | NO. | MATERIAL | FINISH . REMARKS |

| | | | | | | | |
|---------------------------|--|----------------|-----------|--|--|---------|------|
| UNITS mm | | SCALE 5 : 1 | COUNT | DESCRIPTION OF REVISIONS | DESIGNED | CHECKED | DATE |
| HIROSE ELECTRIC CO., LTD. | | | | APPROVED : MH. YAMANE 09.09.29 CHECKED : MH. YAMANE 09.09.29 DESIGNED : NK. NINOMIYA 09.09.25 DRAWN : NK. NINOMIYA 09.09.25 | DRAWING NO. EDC3-327068-00 PART NO. U. FLP-ML51. J-PA(F)-ST CODE NO. CL311-0446-8-00 | | |