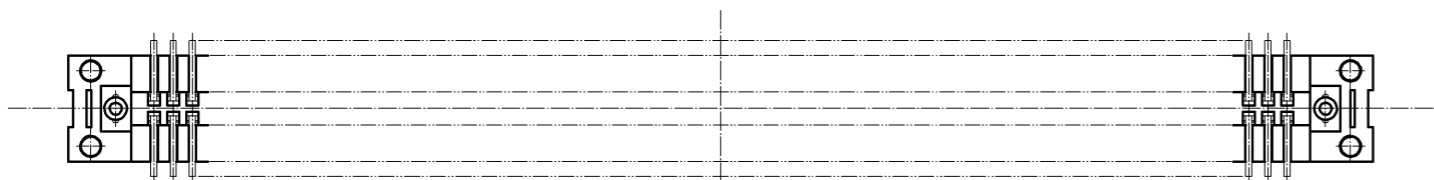
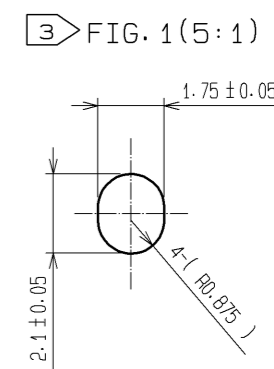
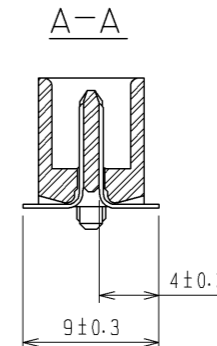
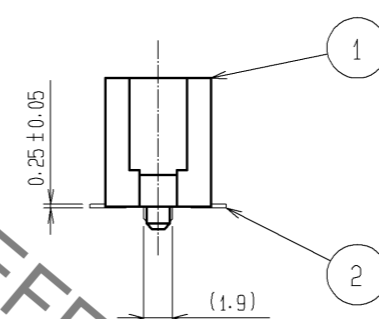
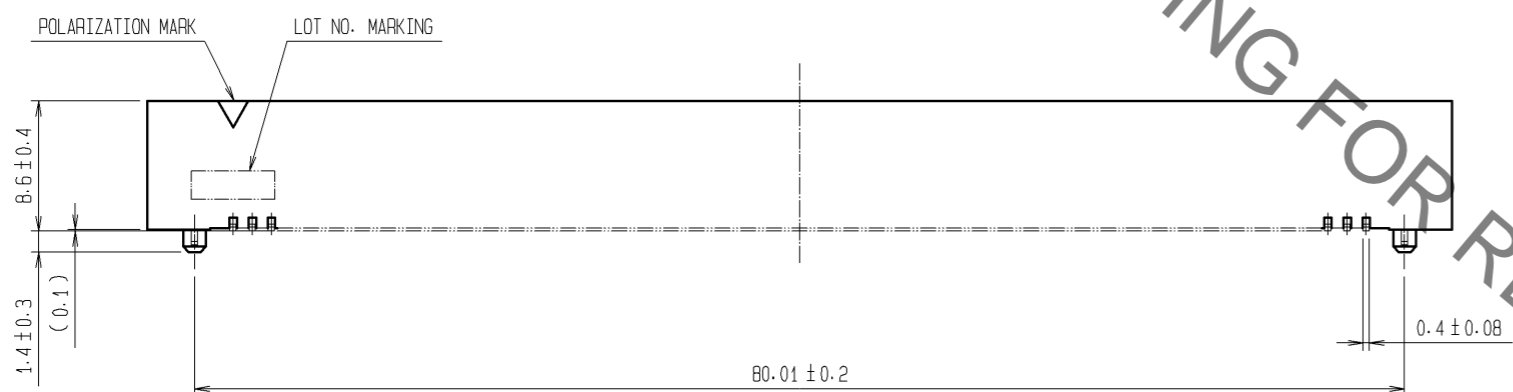
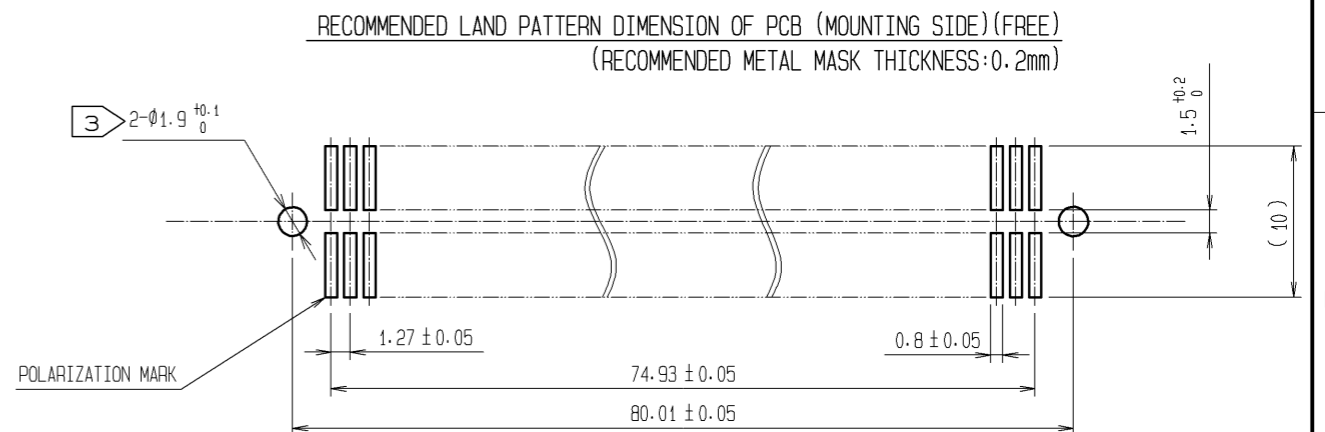


May.1.2023 Copyright 2023 HIROSE ELECTRIC CO., LTD. All Rights Reserved.  
In case of consideration for using Automotive equipment / device which demand high reliability, kindly contact our sales window correspondents.



- NOTES
- 1 LEAD CO-PLANARITY SHALL BE 0.15 MAX.
  - 2 THE DIMENSIONS IN PARENTHESES ARE FOR REFERENCE.
  - 3 IN CASE OF THE AUTOMATED MOUNTING, RECOMMENDED HOLE DIAMETER OF BOSS IS SHOWN IN FIG. 1.

1	PPS	LIGHT BROWN (UL94V-0)	2	PHOSPHOR BRONZE	CONTACT AREA: GOLD 0.2μm min. LEAD AREA: TIN-PLATING 2μm min. UNDER PLATING: NICKEL 2μm min.			
NO.	MATERIAL	FINISH . REMARKS	NO.	MATERIAL	FINISH . REMARKS			
UNITS	mm	SCALE	FREE	COUNT	DESCRIPTION OF REVISIONS	DESIGNED	CHECKED	DATE
<b>HIROSE ELECTRIC CO., LTD.</b>		APPROVED :	HS. OKAWA	10.09.14	DRAWING NO. EDC3-082412-21			
		CHECED :	HT. YAMAGUCHI	10.09.13	PART NO. FX2-120P-1.27SV(71)			
		DESIGNED :	SY. KAMIGA	10.09.08	CODE NO. CL572-2009-0-71			
		DRAWN :	HK. SUNADORI	10.09.08	1/1			