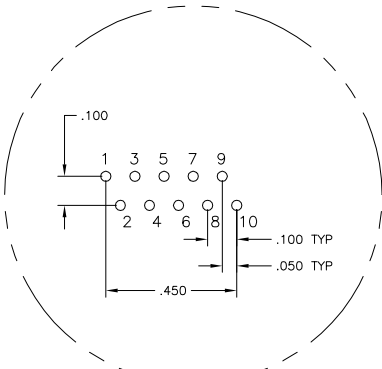
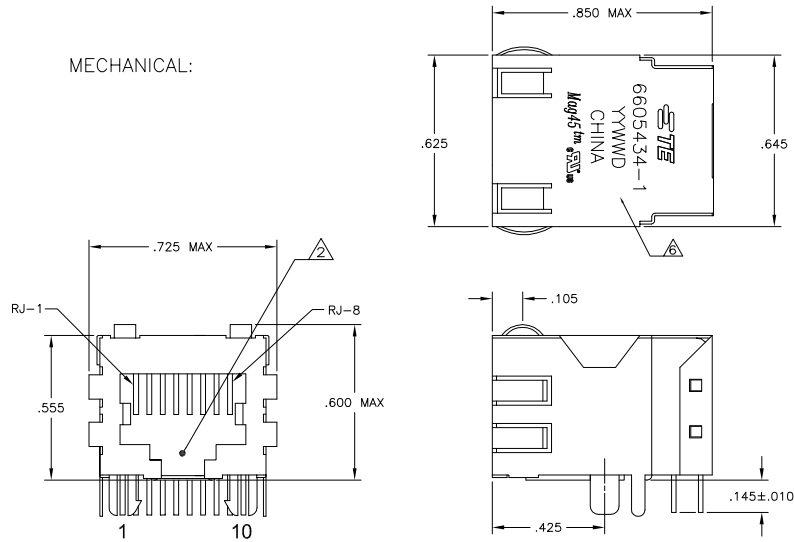


LOC	QTY	REVISIONS
AA	22	
B	REV PER ECO-08-026413	8SEP2008 VL TX
C	ECO-11-015766	30MAY2011 EL LR

MECHANICAL:



Pin Designations

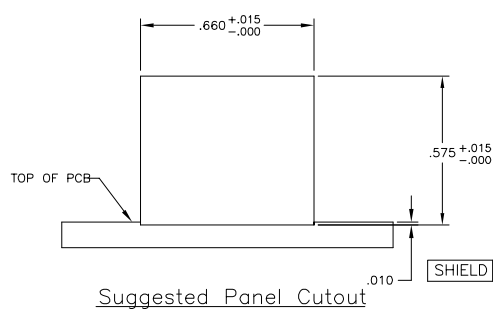
MATERIALS:
 HOUSING - THERMOPLASTIC PET POLYESTER FLAMMABILITY RATING UL 94V-0. SHIELD - .010" THICK, C26800 BRASS PREPLATED WITH 30μINCH SEMI-BRIGHT NICKEL. SOLDER TABS POST DIPPED WITH 100μINCH MIN SAC SOLDER. MOD JACK CONTACTS - 0.0157 X 0.018" PHOSPHOR BRONZE, 50μINCH MIN OVERALL NICKEL UNDERPLATE, WITH SELECT 50μINCH MIN HARD GOLD FINISH PLATE SOLDERDETAILS WITH 100μINCH MIN MATTE TIN AND/OR SAC SOLDER DIP.

RJ45 JACK CAVITY CONFORMS TO FCC RULES AND REGULATIONS PART 68, SUB PART F.

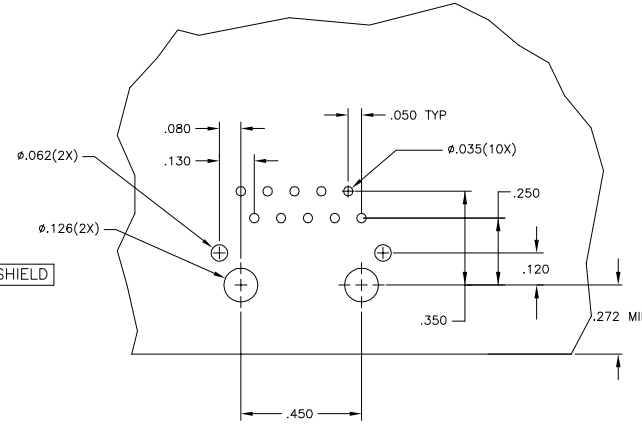
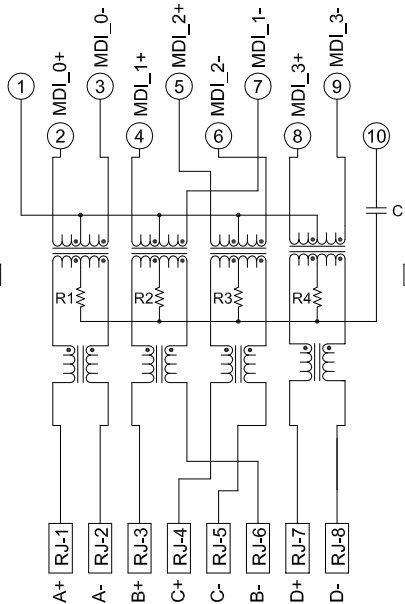
MAGNETICS
 -IMPEDANCE: 100 OHMS
 -TURNS RATIO (CHIP-CABLE): 1:1 ALL FOUR PAIRS
 -OPEN CIRCUIT INDUCTANCE (OCL): 350μH MIN @100kHz, 0.1VRMS, 8mADC BIAS FROM 0°C TO 70°C, ALL FOUR PAIRS
 -ALL FOUR PAIRS BI-DIRECTIONAL
 -PERFORMANCE @ 25°C:
 INSERTION LOSS (IL): 1.1dB MAX FROM 0.5MHz TO 100MHz
 RETURN LOSS (RL): 18dB MIN FROM 0.5MHz TO 4.0MHz
 12-20LOG(f/80)dB MIN FROM 4.0MHz TO 100MHz
 CROSSTALK ATTENUATION: 35dB MIN FROM 0.5MHz TO 4.0MHz
 33-20*LOG(f/50)dB MIN FROM 4.0MHz TO 100MHz
 COMMON MODE REJECTION RATIO (CMRR): 30dB MIN FROM 0.5MHz TO 100MHz
 -ISOLATION VOLTAGE: 2250VDC (MAX) FOR 60 SECONDS WITH A RISE TIME OF 500V/SEC.

- OPERATING TEMPERATURE: FROM 0°C TO +70°C.
- THE MAGNETICS ARE SYMMETRIC TO SUPPORT AUTO-MDI/MDIX.
- TE CONNECTIVITY LOGO, PART NUMBER, DATE CODE, COUNTRY OF ORIGIN AND AGENCY APPROVAL MARKING IN APPROXIMATE LOCATION AS SHOWN.
- THE PART IS RECOMMENDED FOR WAVE SOLDERING PROCESS, PREHEAT TEMPERATURE IS 120°C TO 160°C, 120 SECONDS TO 180 SECONDS, PEAK WAVE SOLDERING TEMPERATURE IS 260°C MAX, 10 SECONDS MAX.

4G01 GIGABIT MAGNETIC CIRCUIT



Suggested Panel Cutout



Suggested PCB Layout (Component Side)

C1 = 1000 pF, 2kV CAPACITOR
 R1-R4 = 75 OHMS, 1/16W RESISTORS

YES	6605434-1
2KV DECOUPLING CAPACITOR	PART NUMBER

THIS DRAWING IS A CONTROLLED DOCUMENT.		REV. ATTADIA - 000PCS		REV. FAROLE - 000PCS	
DIMENSIONS:	INCHES	REV. FAROLE	DATE	REV. FAROLE	DATE
0 P.C.	± .010	1	108-2100	1	108-2100
1 P.C.	± .010	2		2	
2 P.C.	± .010	3		3	
3 P.C.	± .010	4		4	
4 P.C.	± .010				
MATERIAL	FINISH	WEIGHT	SCALE	SHEET	REV. C
TE CONNECTIVITY	TE CONNECTIVITY	1X1 MAG45(TM), MODULAR JACK (10 PIN HORIZ), 4G1 SCHEMATIC, 4G01 GIGABIT CIRCUIT, SHIELDED, OPTIONAL DECOUPLING CAPACITOR, NO LEADS	A1	00779	C=6605434
CUSTOMER DRAWING		SCALE NTS		SHEET 1 OF 1	