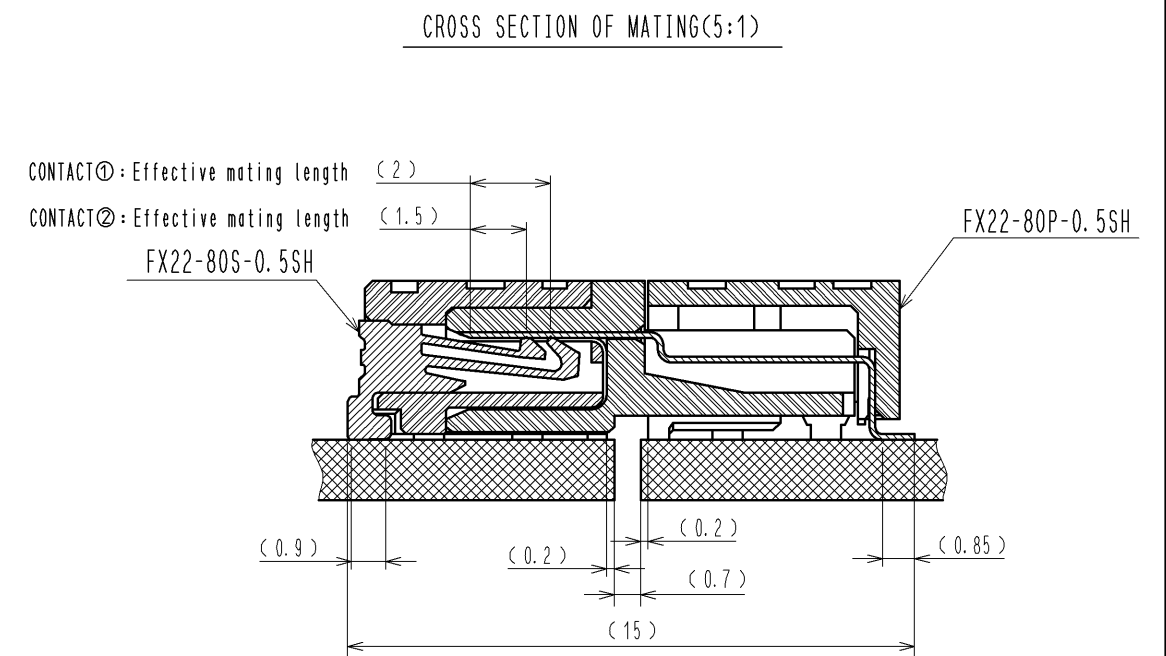
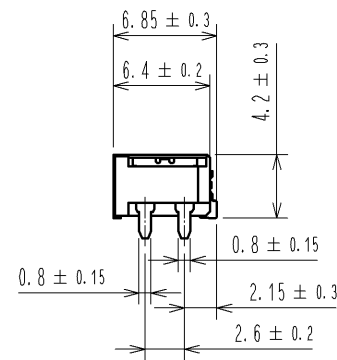
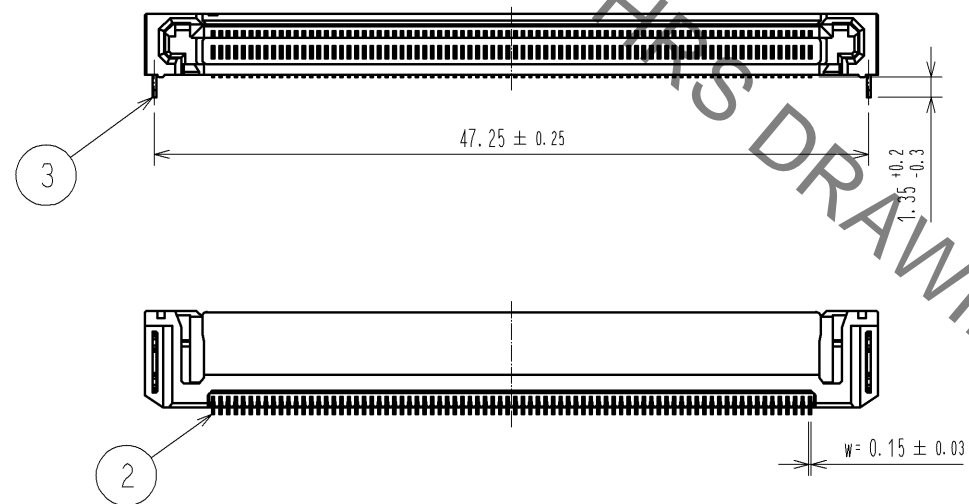
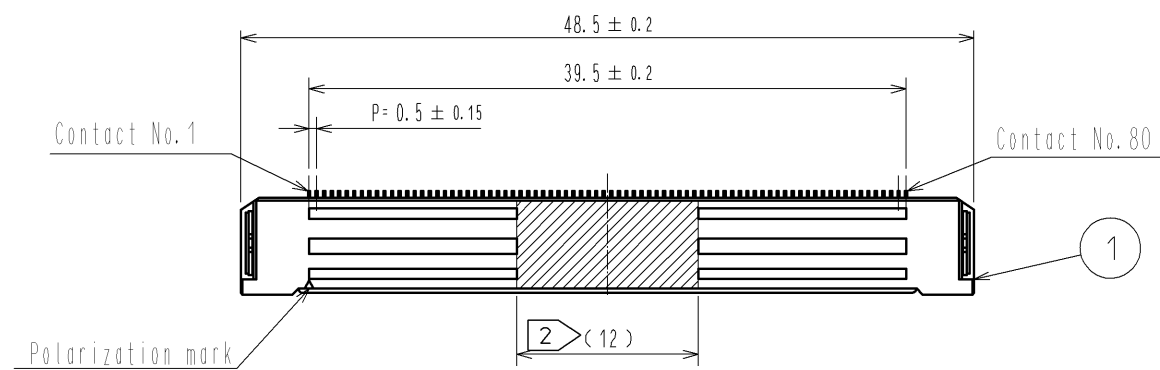
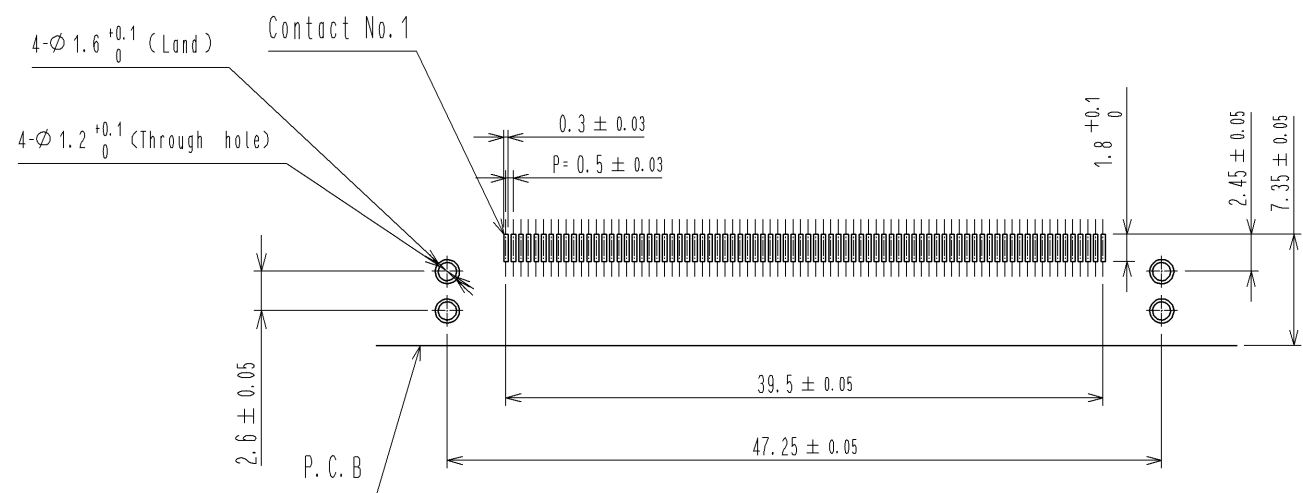


May.1.2023 Copyright 2023 HIROSE ELECTRIC CO., LTD. All Rights Reserved.
In case of consideration for using Automotive equipment / device which demand high reliability, kindly contact our sales window correspondents.



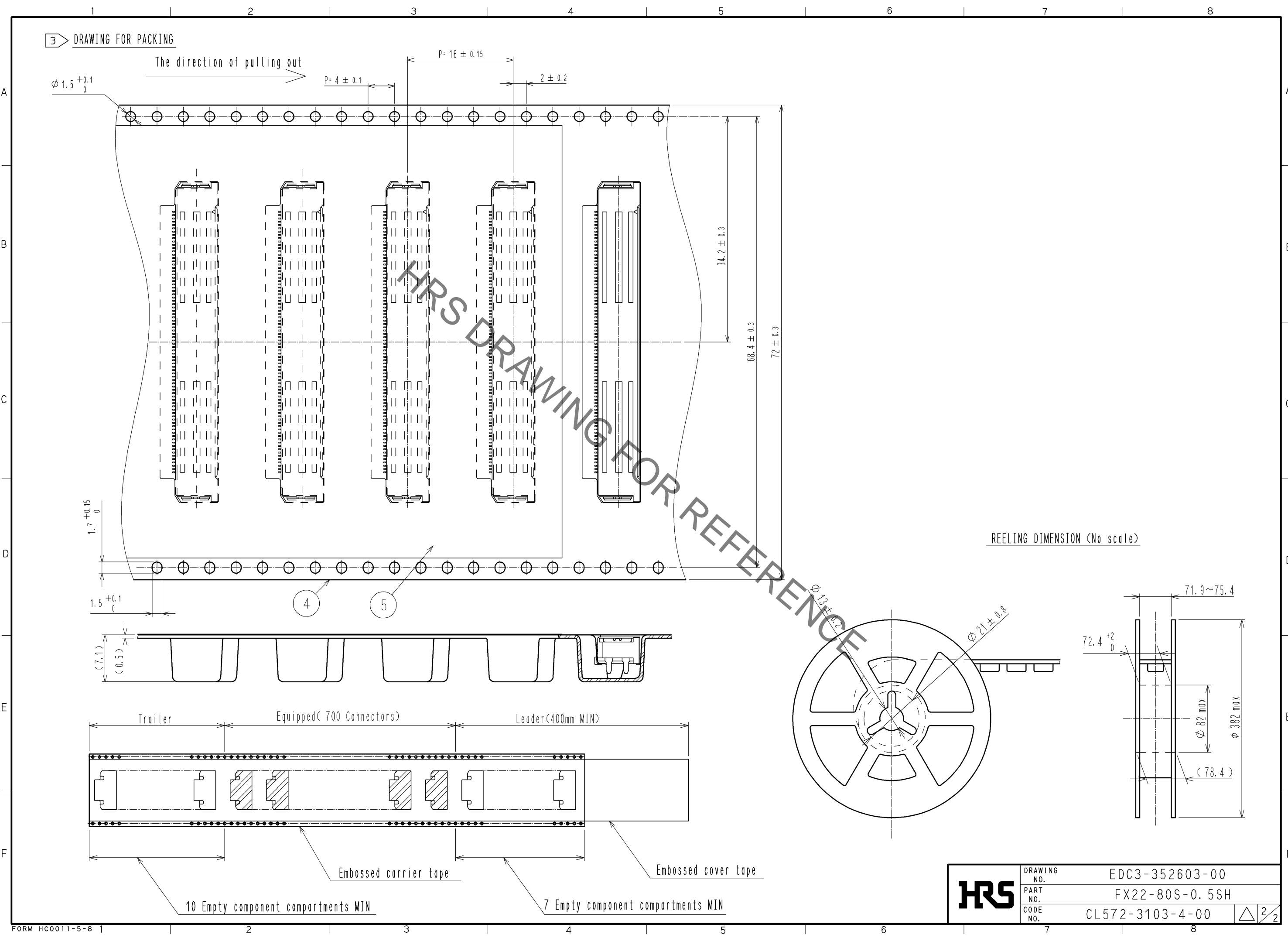
RECOMMENDED LAND PATTERN DIMENSION OF PCB
(PCB THICKNESS: t=1.6mm METAL MASK THICKNESS: t=0.12mm)



- NOTE 1 Lead CO-Planarity is 0.1mm MAX.
 2 It shows the vacuum pickup area.
 3 Packing for product applies embossed carrier tape packing. (700pcs/RL)
 4 Blemish and hit mark can be occurred through out the manufacturing process which doesn't affect quality level.
 5 The dimensions in parentheses are for references.

3	COPPER ALLOY	CONTACT AREA: GOLD 0.1 μm	5	POLYESTER	(EMBOSSED COVER TAPE)			
		LEAD AREA: GOLD 0.03 μm	4	POLYSTYRENE	(EMBOSSED CARRIER TAPE)			
		UNDER PLATING: NICKEL 1.3 μm	3	BRASS	TIN-PLATING 3 μm			
1	LCP	BLACK UL94V-0			UNDER PLATING: NICKEL 1 μm			
NO.	MATERIAL	FINISH . REMARKS	NO.	MATERIAL	FINISH . REMARKS			
UNITS mm		SCALE 2 : 1		COUNT	DESCRIPTION OF REVISIONS	DESIGNED	CHECKED	DATE
HRS HIROSE ELECTRIC CO., LTD.		APPROVED : HS. OKAWA	14.06.26	DRAWING NO. EDC3-352603-00				
		CHECKED : KN. SHIBUYA	14.06.26	PART NO. FX22-80S-0.5SH				
		DESIGNED : AH. EDASHIGE	14.06.26	CODE NO. CL572-3103-4-00				
		DRAWN : AH. EDASHIGE	14.06.26					

May.1.2023 Copyright 2023 HIROSE ELECTRIC CO., LTD. All Rights Reserved.
 In case of consideration for using Automotive equipment / device which demand high reliability, kindly contact our sales window correspondents.



HRS	DRAWING NO.	EDC3-352603-00
	PART NO.	FX22-80S-0.5SH
	CODE NO.	CL572-3103-4-00
		\triangle 2/2