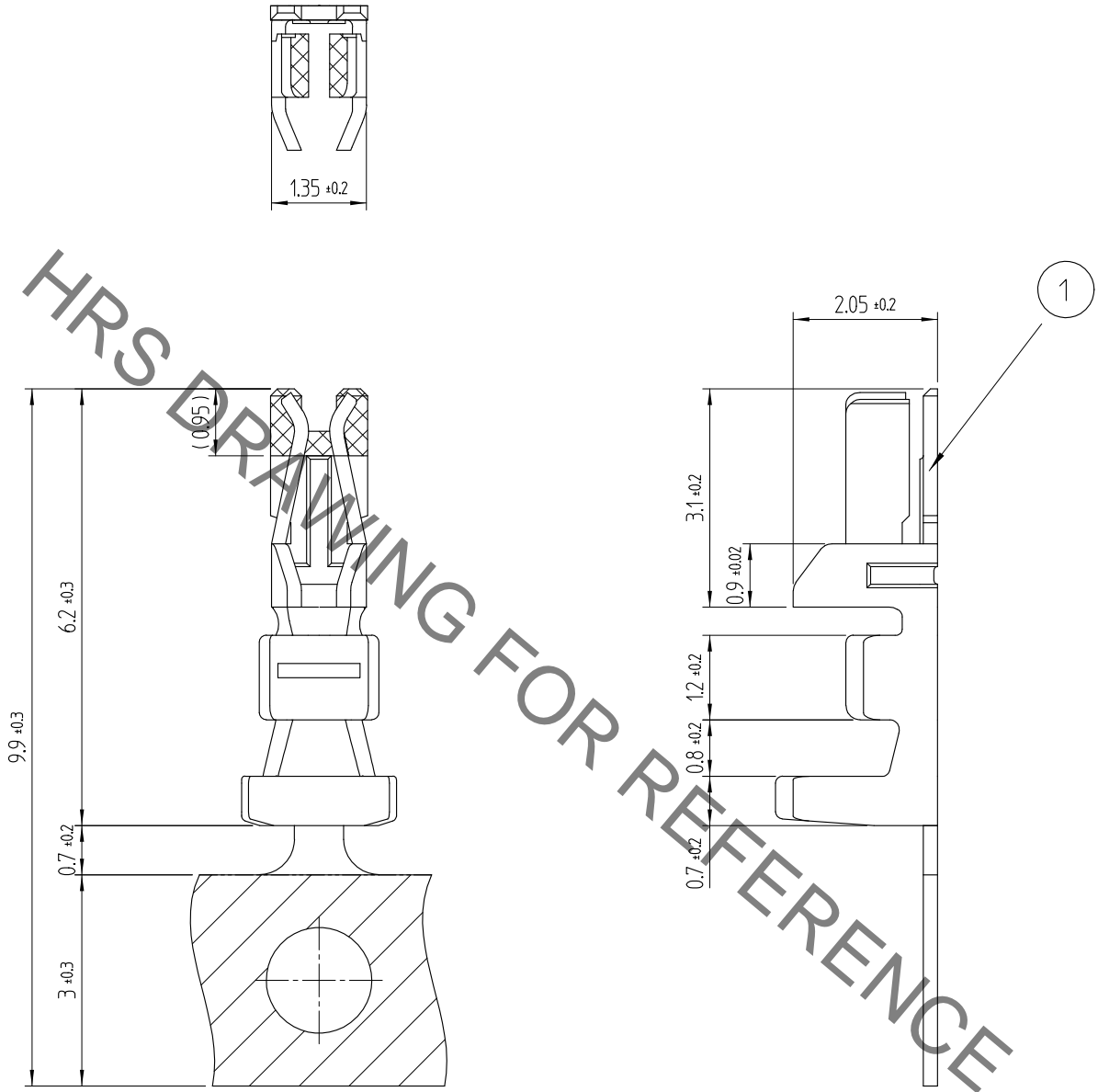


May.1.2023 Copyright 2023 HIROSE ELECTRIC CO., LTD. All Rights Reserved.  
 In case of consideration for using Automotive equipment / device which demand high reliability, kindly contact our sales window correspondents.

1	2				3				4				
△數 COUNT	訂正事項 DESCRIPTION OF REVISIONS			擔當 B Y	檢圖 CHKD	年月日 DATE	△數 COUNT	訂正事項 DESCRIPTION OF REVISIONS			擔當 B Y	檢圖 CHKD	年月日 DATE
△							△						
△							△						
△							△						



NOTE1. ONE REEL HAS 10,000 PIECES OF CONTACTS.

1	PHOSPHOR BRONZE	CONTACT : GOLD PLATING 0.2μm MIN CARRIER : TIN PLATING 1μm MIN OVER NICKEL 0.5μm MIN
---	-----------------	--

NO.	MATERIAL	FINISH. REMARKS	NO.	MATERIAL	FINISH. REMARKS
CODE NO. (OLD)			DRAWN	DESIGNED	CHECKED
			CHOI 17.12.22 J.S	CHOI 17.12.22 J.S	LIM 17.12.22 S.M
					APPROVED
					KANG 17.12.22 T.S
					RELEASED
					ENG 20.02.20 DEPT

 SCALE 10:1 UNITS mm	DRAWING NO.	EDC4-611495	PART NO.	DF51K-2428SCFA (800)
	HIROSE KOREA CO.,LTD.		CODE NO.	6652-0042-9-800
				1/1