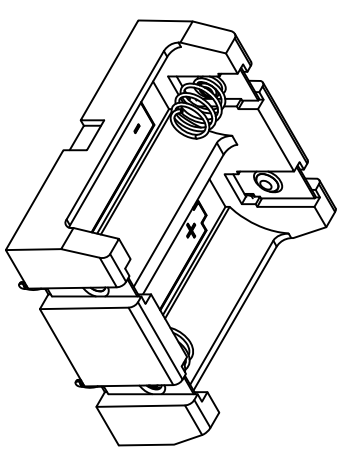
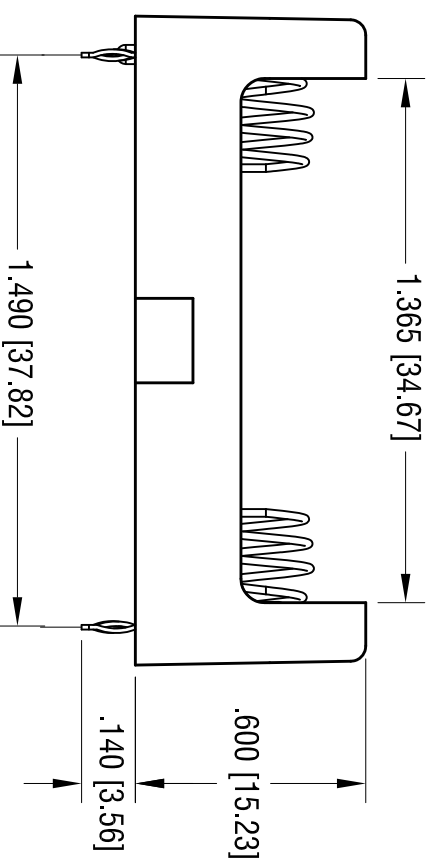
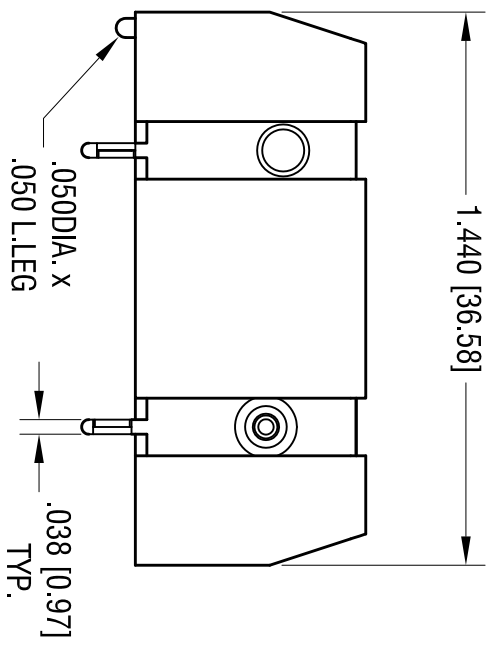
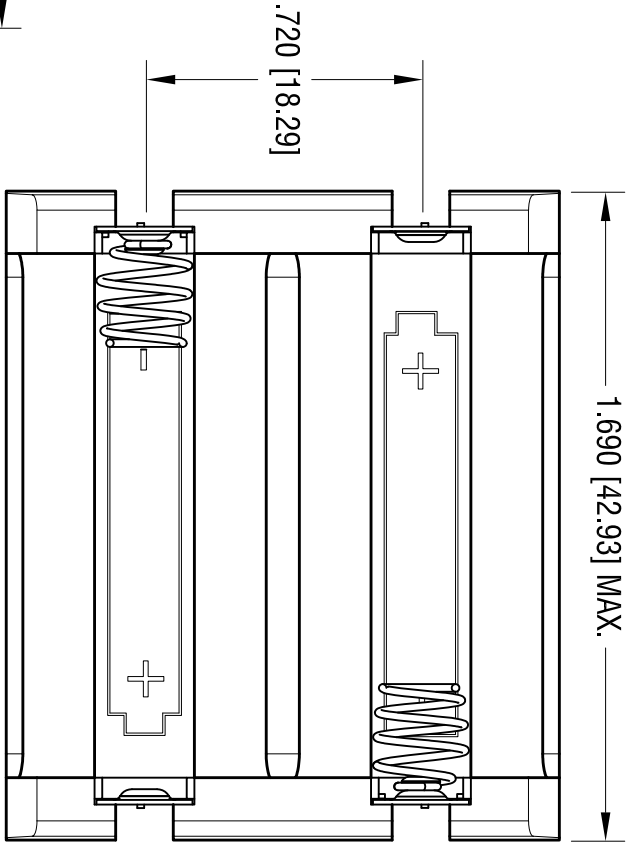
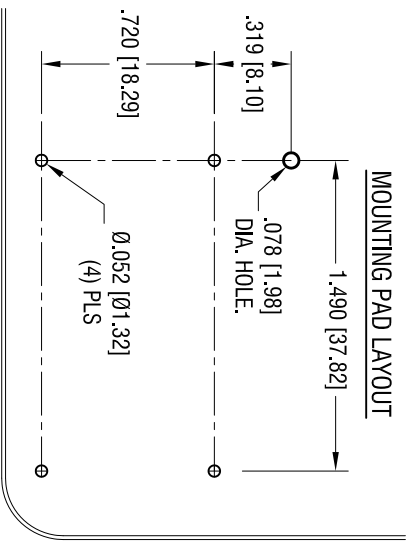


DATE	DESCRIPTION	REV.
6.28.22	CHANGE AS PER AS ECN 22-106 BASE MAT'L WAS HEAT RESISTANCE NYLON (UL94V-0) STANYL 46	A



ACTUAL SIZE

NOTE:  
 1. BASE:  
 MAT'L: PBT (GRAY COLOR)  
 2. CONTACT POSITIVE :  
 MAT'L: .012 [0.30] THK STAINLESS STEEL  
 FINISH: NICKEL PLATE

2. CONTACT NEGATIVE :  
 BASE MAT'L: .012 [0.30] THK STAINLESS STEEL  
 FINISH: NICKEL PLATE  
 SPRING: .020 DIA. MUSIC WIRE, NICKEL PLATE  
 SPRING EYELETED TO BASE

THIS DOCUMENT IS THE PROPERTY OF  
 KEYSTONE ELECTRONICS CORP. AND  
 SHALL NOT BE REPRODUCED, DISTRIBUTED  
 OR USED AS A BASIS FOR MANUFACTURE  
 WITHOUT PRIOR WRITTEN PERMISSION  
 FROM KEYSTONE ELECTRONICS CORP.

**KEYSTONE ELECTRONICS CORP.**  
 www.keystone.com • NEW HYDE PARK, NY 11040 • Tel (516) 328-7500

PART NAME  
 THM BATTERY HOLDER, (2) CR123A

MATERIAL  
 AS NOTED

FINISH  
 AS NOTED

DRN BY	NT	DATE	12.31.14
APP'D	RH	SCALE	2X

TOLERANCES	INCH	[MM]	CODE	DWG NO.
DECIMAL	± .010	[± 0.25]	C	1055
ANGULAR	± 1°			

UNLESS OTHERWISE SPECIFIED