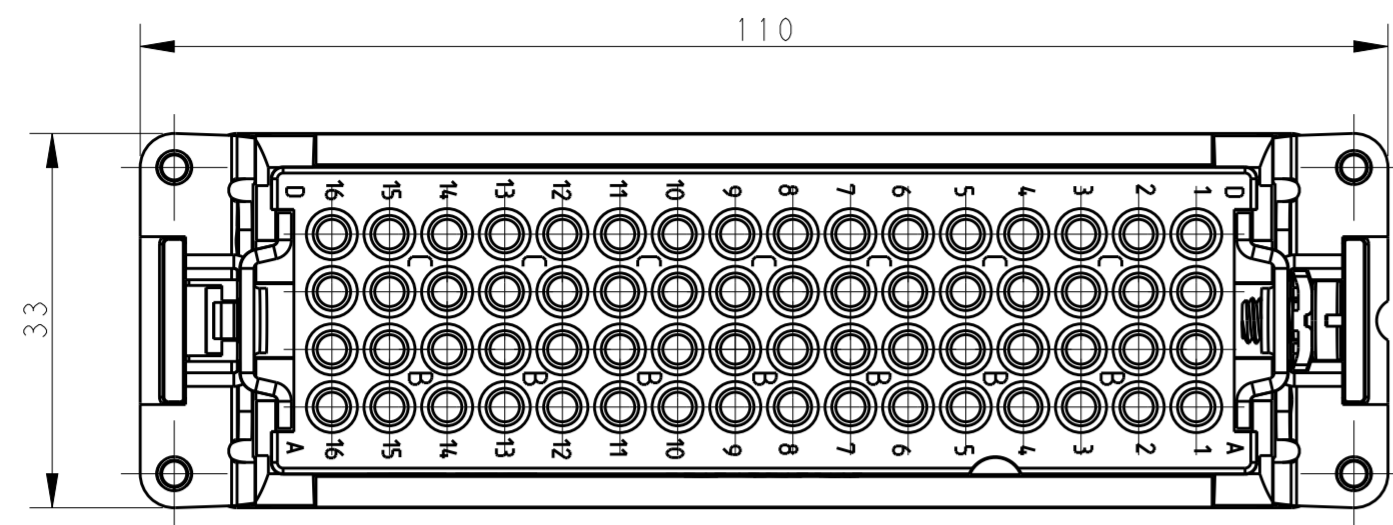
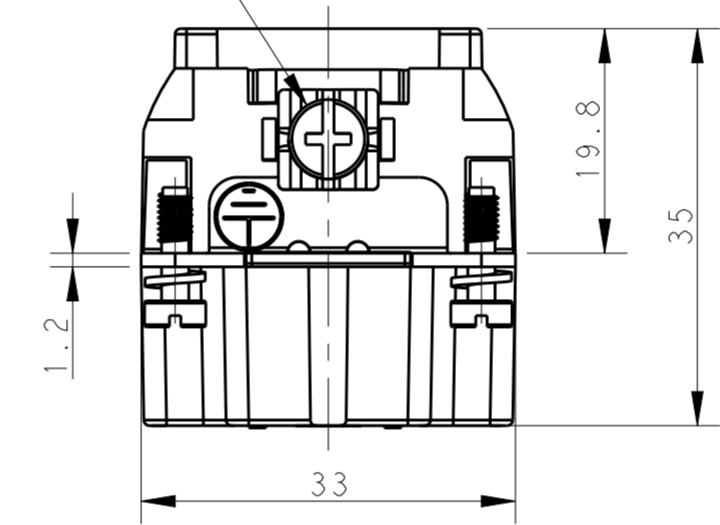


REVISIONS					
P	LTR	DESCRIPTION	DATE	DWN	APVD
B		ECR-20-005011	06APR2020	QY	JB
C		ECR-20-007704	03JUN2020	QY	JB
C1		ECR-20-016724	25NOV2020	QY	JB

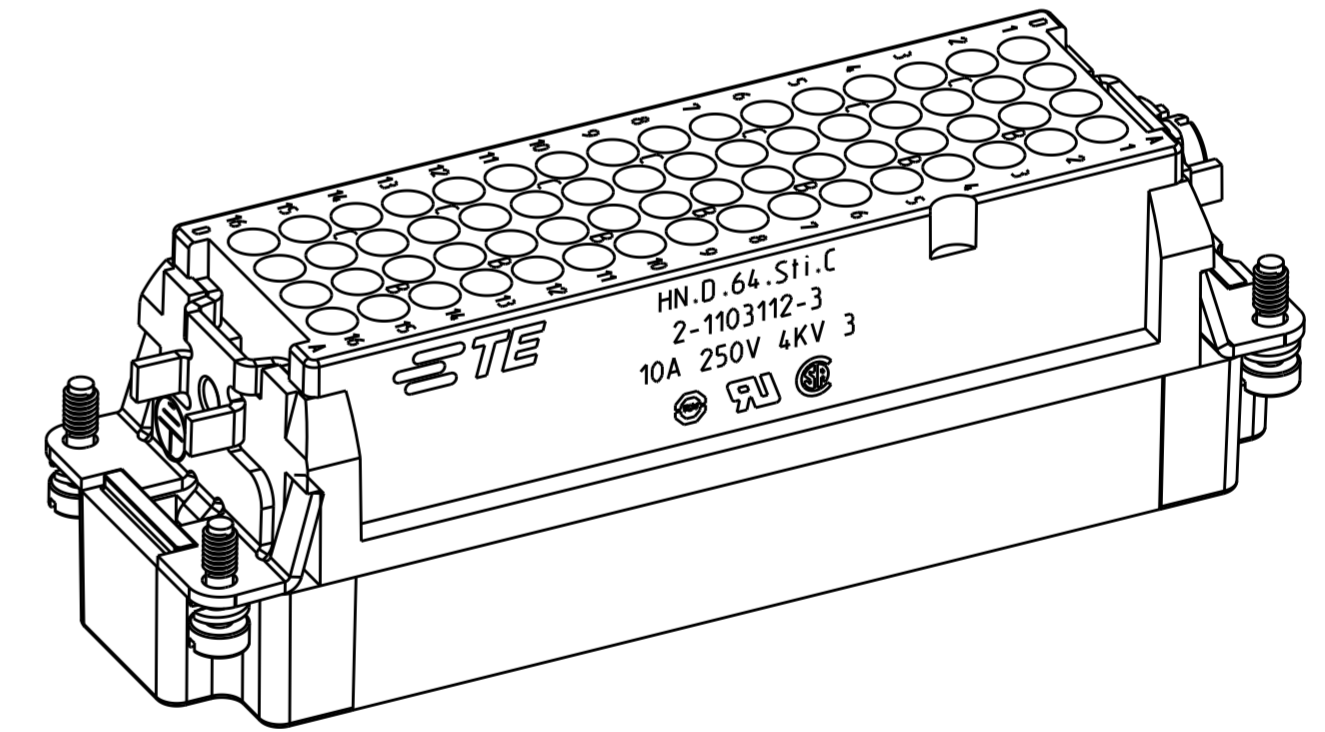
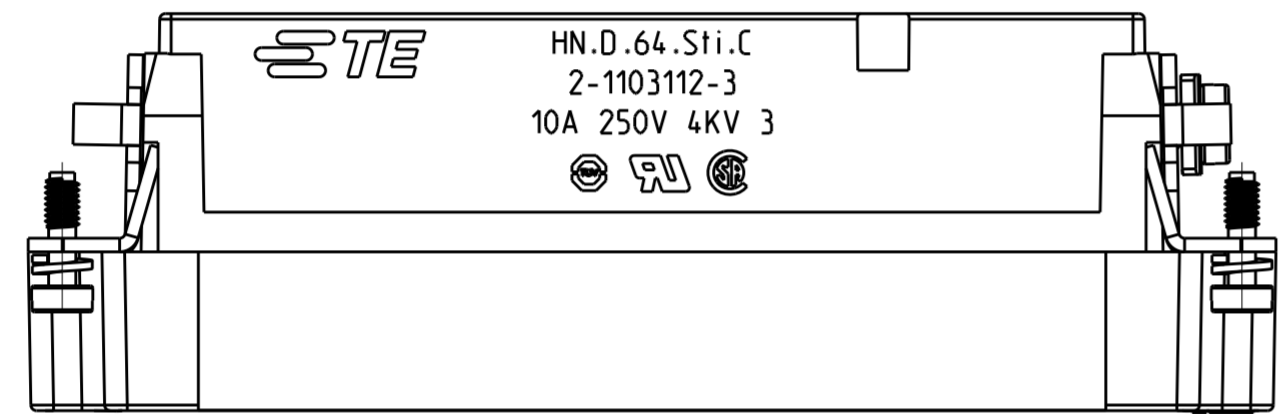


NOTES:
 1. TECHNICAL CHARACTERISTICS:
 INSULATION MATERIAL: PC
 RATED VOLTAGE: 250V
 RATED CURRENT: 10A
 INSULATION RESISTANCE: >=400MΩ
 RATED IMPULSE VOLTAGE: 4KV
 POLLUTION DEGREE: 3
 MATING CYCLES: 500 CYCLES
 TEMPERATURE RANGE: -40~+125°C
 WIRE RANGE: 0.14mm²~2.5mm² (AWG26-AWG14)
 2. CONTACT NEED TO BE ORDERED SEPARATELY.

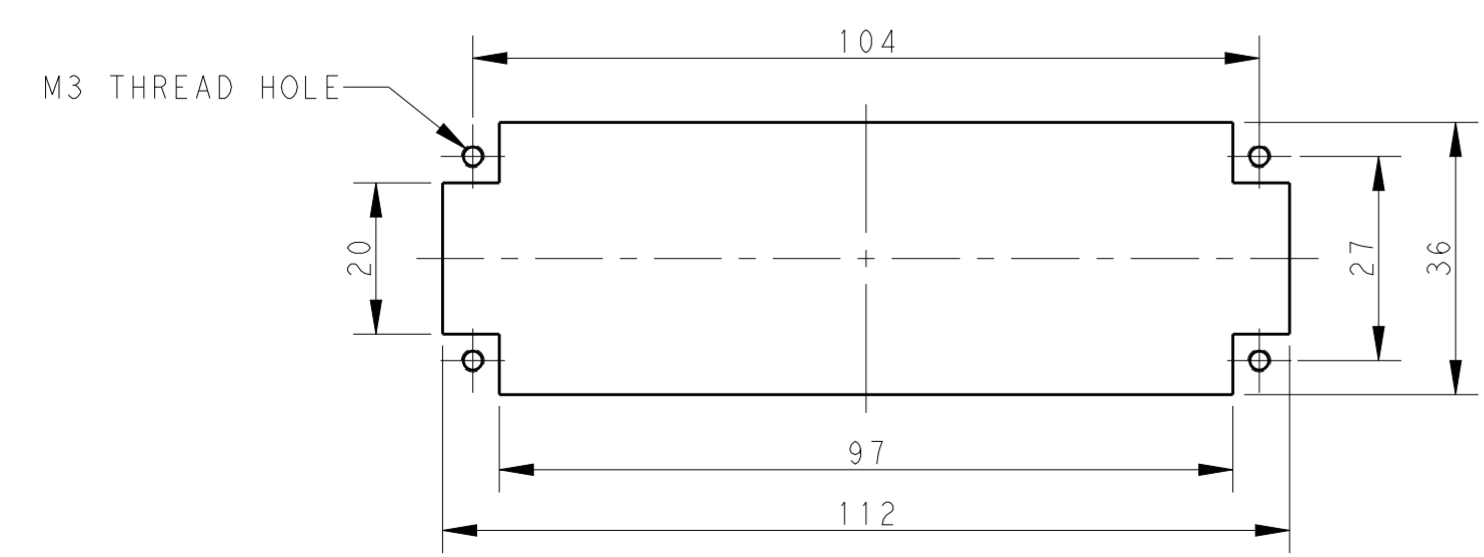
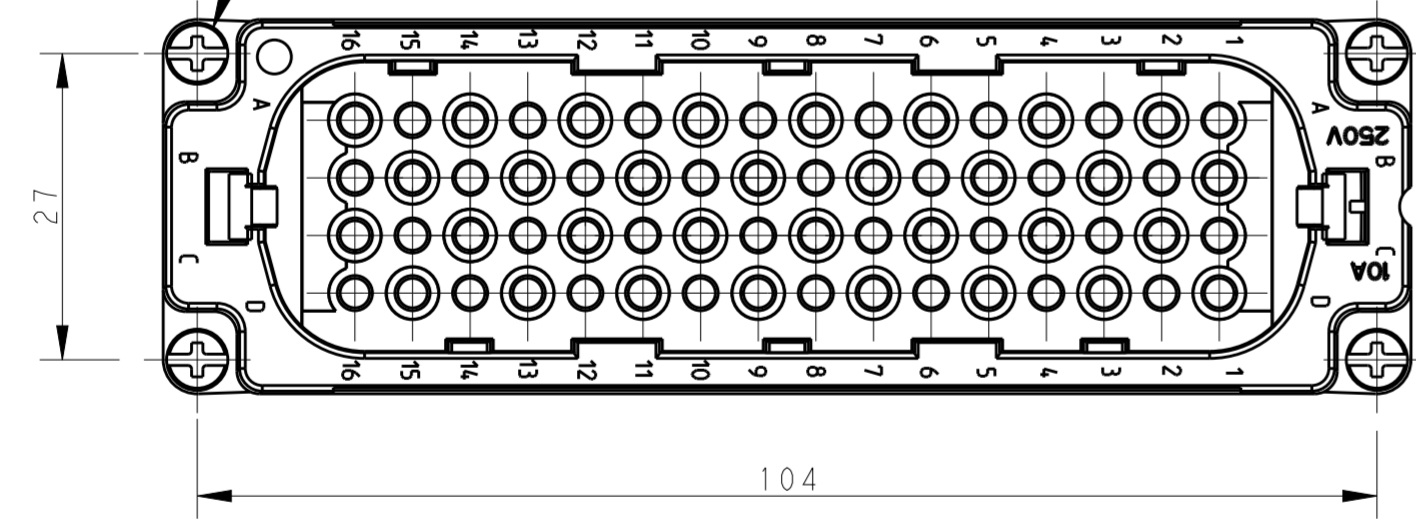
M4 SCREW RECOMMENDED
 TIGHTENING TORQUE 1.2Nm
 M4螺丝, 推荐锁紧力矩1.2Nm



注释:
 1. 技术参数:
 绝缘材料: PC
 额定电压: 250V
 额定电流: 10A
 绝缘电阻: >=400MΩ
 脉冲电压: 4KV
 污染等级: 3
 插拔次数: 500 次
 温度范围: -40~+125°C
 接线范围: 0.14mm²~2.5mm² (AWG26-AWG14)
 2. 端子需要单独订购.



4X M3 SCREW
 RECOMMENDED TIGHTENING TORQUE 0.5Nm
 4X M3 螺丝, 推荐锁紧力矩0.5Nm



PANEL CUT FOR INSERTS FOR USE
 WITHOUT HOODS/ HOUSINGS
 不使用防护外壳时芯件的安装开孔图

2-1103112-3		HN.D.64.Sti.C	HD-064 MALE INSERT FOR MACHINED CONTACT TYPE HD-064 公插, 车削针型(HTS)		
PART NUMBER 料号		PART DESCRIPTION 描述			
THIS DRAWING IS A CONTROLLED DOCUMENT.			DWN 08 JAN 2020 CHK 08 JAN 2020 APVD 08 JAN 2020		
DIMENSIONS: mm		TOLERANCES UNLESS OTHERWISE SPECIFIED:		NAME HN.D.64.Sti.C	
		0 PLC ±	1 PLC ±	2 PLC ±	3 PLC ±
MATERIAL		4 PLC ±	ANGLES ±	FINISH	
		PRODUCT SPEC 108-74002		SIZE A200779	
		APPLICATION SPEC 114-74000		DRAWING NO C-1103112	
		WEIGHT		RESTRICTED TO	
CUSTOMER DRAWING		SCALE 3:2		SHEET 1 OF 1 REV C1	