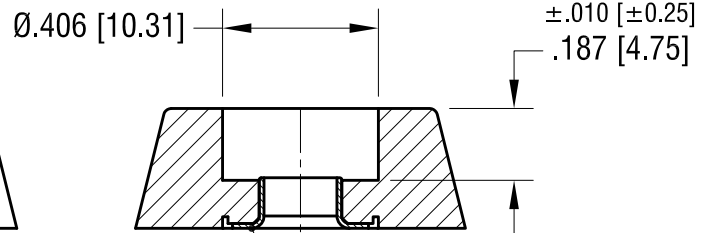
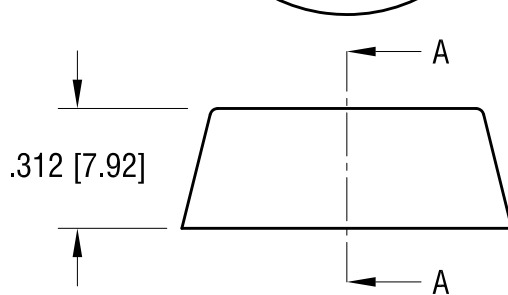
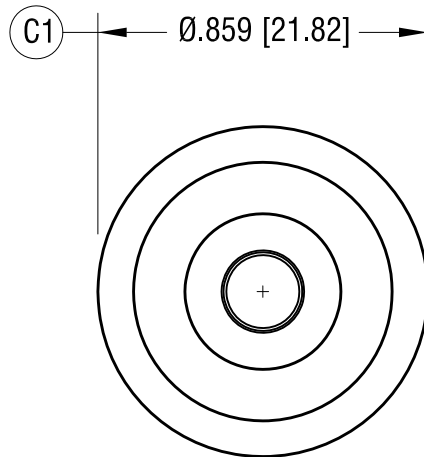
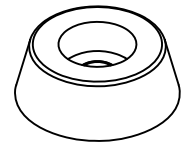
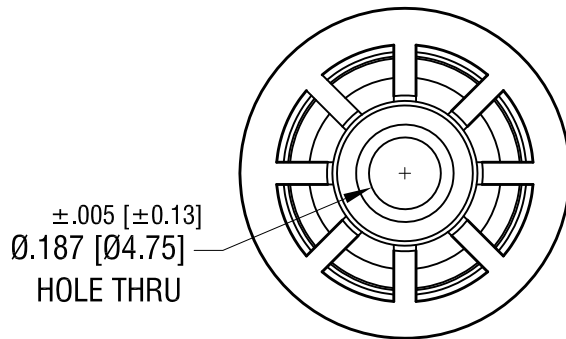


THIS DOCUMENT IS THE PROPERTY OF
KEYSTONE ELECTRONICS CORP. AND
SHALL NOT BE REPRODUCED, DISTRIBUTED
OR USED AS A BASIS FOR MANUFACTURE
WITHOUT PRIOR WRITTEN PERMISSION
FROM KEYSTONE ELECTRONICS CORP.

ACTUAL SIZE



MOLDED-IN WASHER
SECTION A-A



NOTES:

1. BODY: MAT'L - THERMOPLASTIC RUBBER, GREY
2. WASHER: MAT'L - STEEL, ZINC PLATE

8.16.21	C1 WAS .875 [22.23] CHANGE AS PER ECN 21-087	C
7.08.15	CHANGE AS PER ECN 15-066	B
5.7.07	CHANGE AS PER ECN 07-021	A
DATE	DESCRIPTION	REV.

KEYSTONE ELECTRONICS CORP.			
www.keyelco.com • NEW HYDE PARK, NY 11040 • Tel (516) 328-7500			
PART NAME		RECESSED BUMPER	
MATERIAL		AS NOTED	
FINISH		DRN BY	DATE
AS NOTED		BOONE	11.26.96
		APP'D	SCALE
		LN	2X
TOLERANCES	INCH [MM]	CODE	DWG NO.
DECIMAL	± .020 [± 0.50]	C	725
ANGULAR	± 1°		
UNLESS OTHERWISE SPECIFIED			