

1 2 3 4 5 6 7

A

B

C

D

E

F

G

H

A

B

C

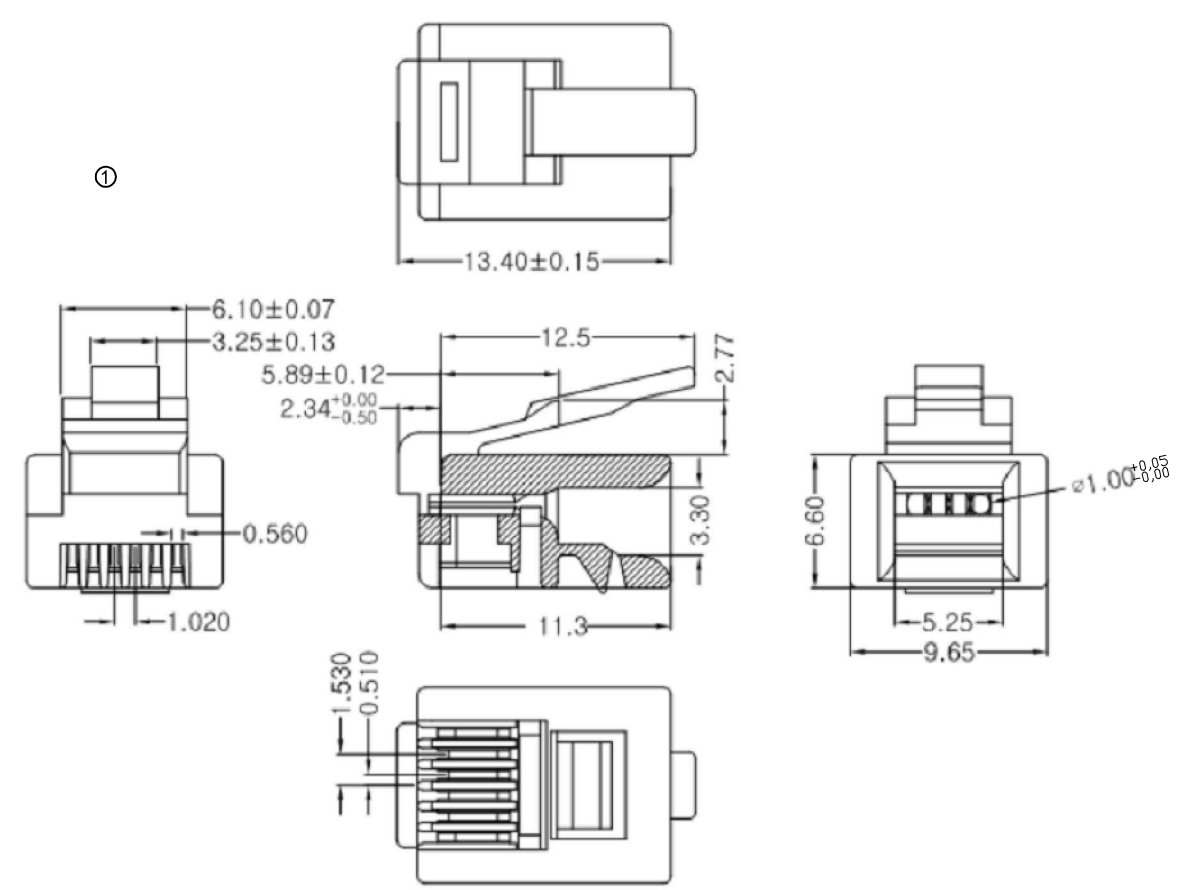
D

E

F

G

H



Specifications:

Material:

Housing: Poly Carbonate(PC) UL94V-2  
 Contact: Phosphor Bronze with 2 prongs  
 Plating: 6u" gold plated  
 100u" Nickel under plated  
 Operating temperature: -40°C to +125°C

Electrical:

Current rating: 250V AC max. at 2A  
 Dielectric: 500V AC  
 Insulation resistance: 500MΩ  
 Termination resistance: 35mΩ max after environmental tests  
 Tensile strength: 20 LBS (89N) min.  
 Durability: 500 mating cycles

Complies with FCC68/F

- ① Wire gauge: 30AWG-24AWG Stranded wire
- Cable OD size: flat cable 2.5x5.0±0.02mm
- Wire size: 0.95±0.05mm

**RoHS compliant**  
 Unit: mm

Scale	Free				Date	Name	Customer-No.
TOLERANCE				Drawn	13.06.2016	Joanna	
X.X	±0.20			Approved	03.04.2019	Amy	
X.XX	±0.10						ASSMANN WSW-No.
X.XXX	±0.05						<b>A-MO 6/4-SF</b>
DIM	TOL	①	Update to new drawing Add cable wire information	03.04.2019	Amy	Drawing-No.	
X.°	±3°	②	Drawn	13.06.2016	Joanna	<b>ASS 7278 CO</b>	rev01
X.X°	±1.0°					Replace	Sheet
Angle	TOL	Id.	Modification	Date	Name		



1 2 3 4 5 6 7