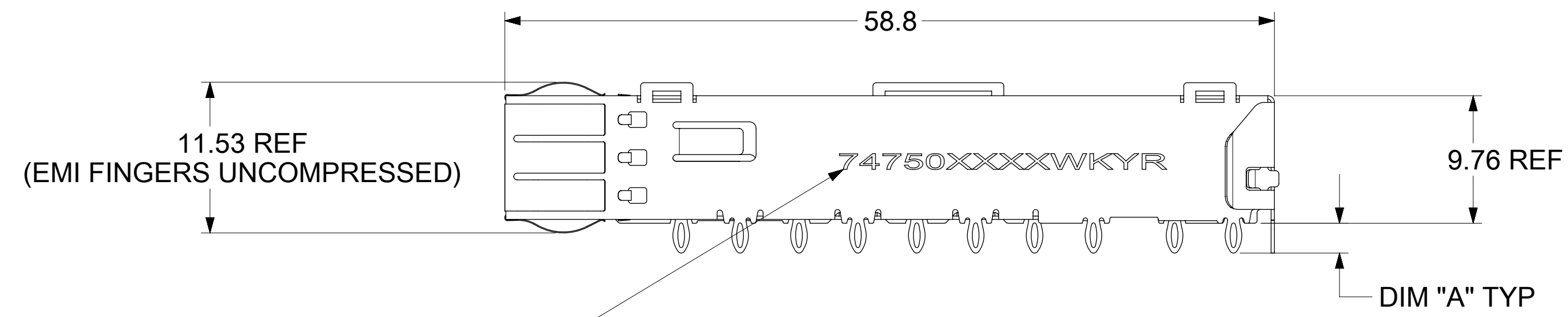
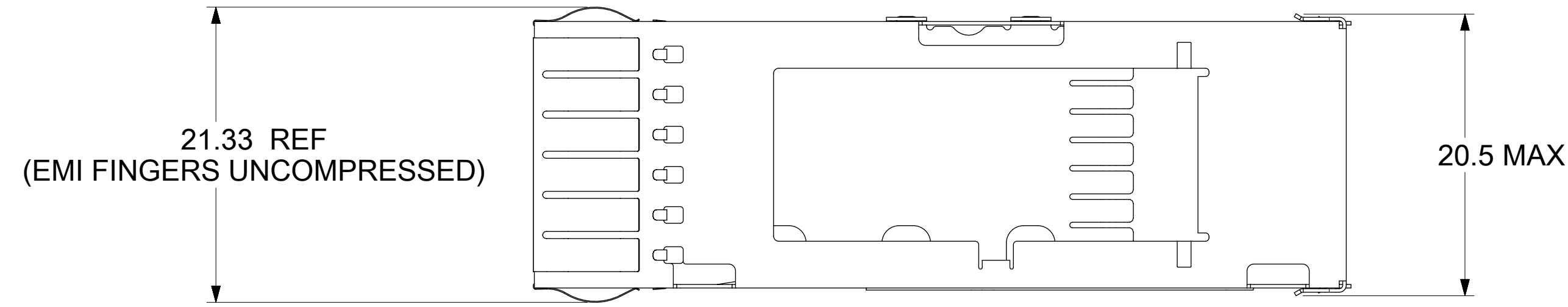


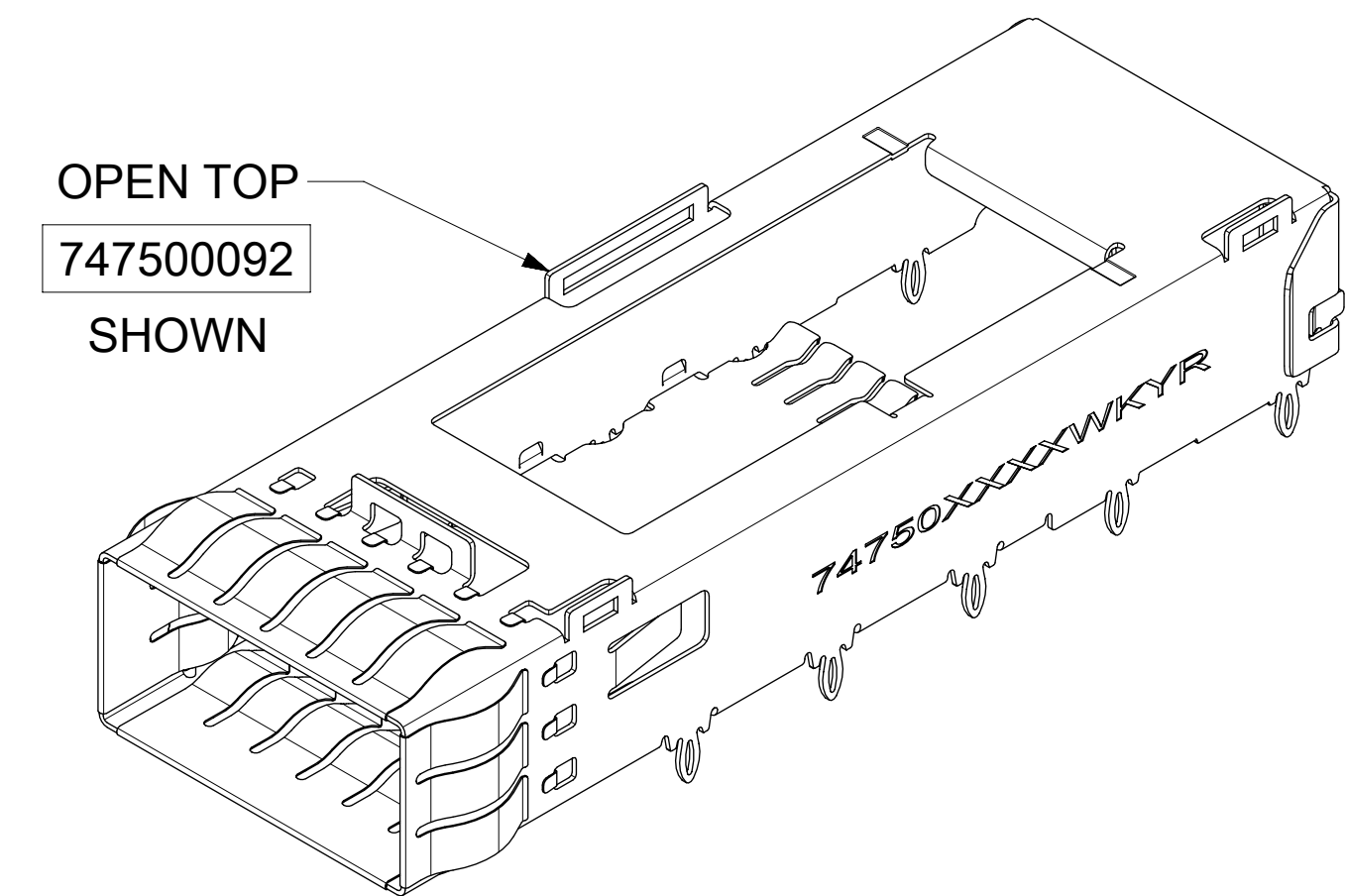
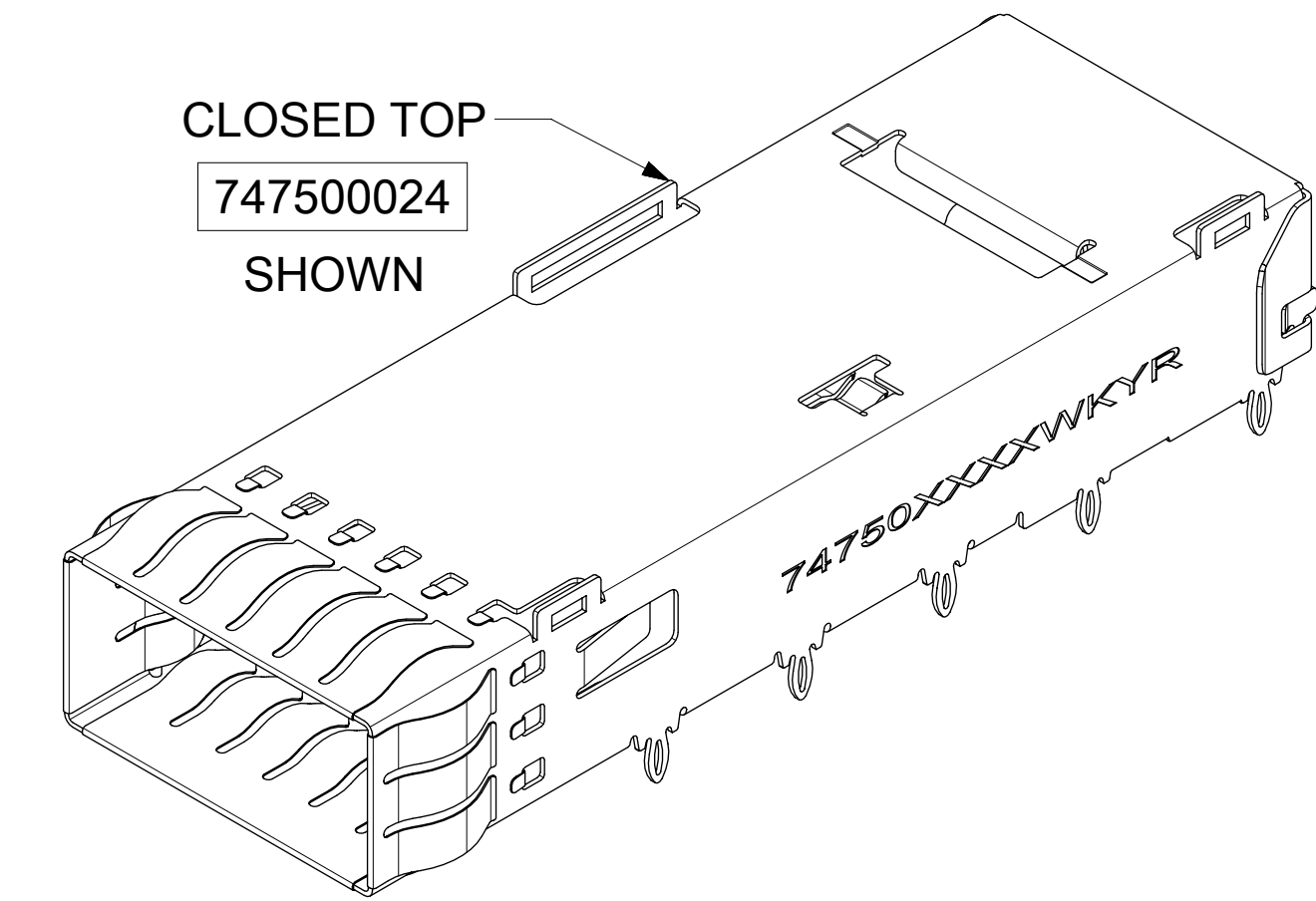
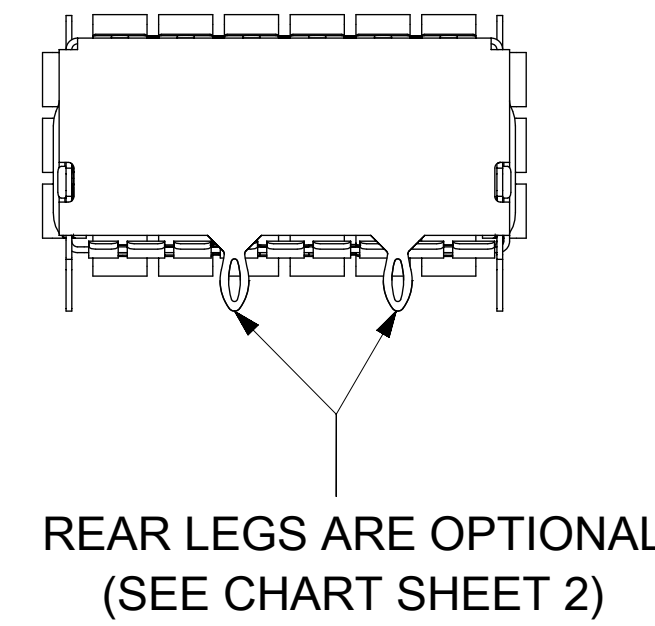
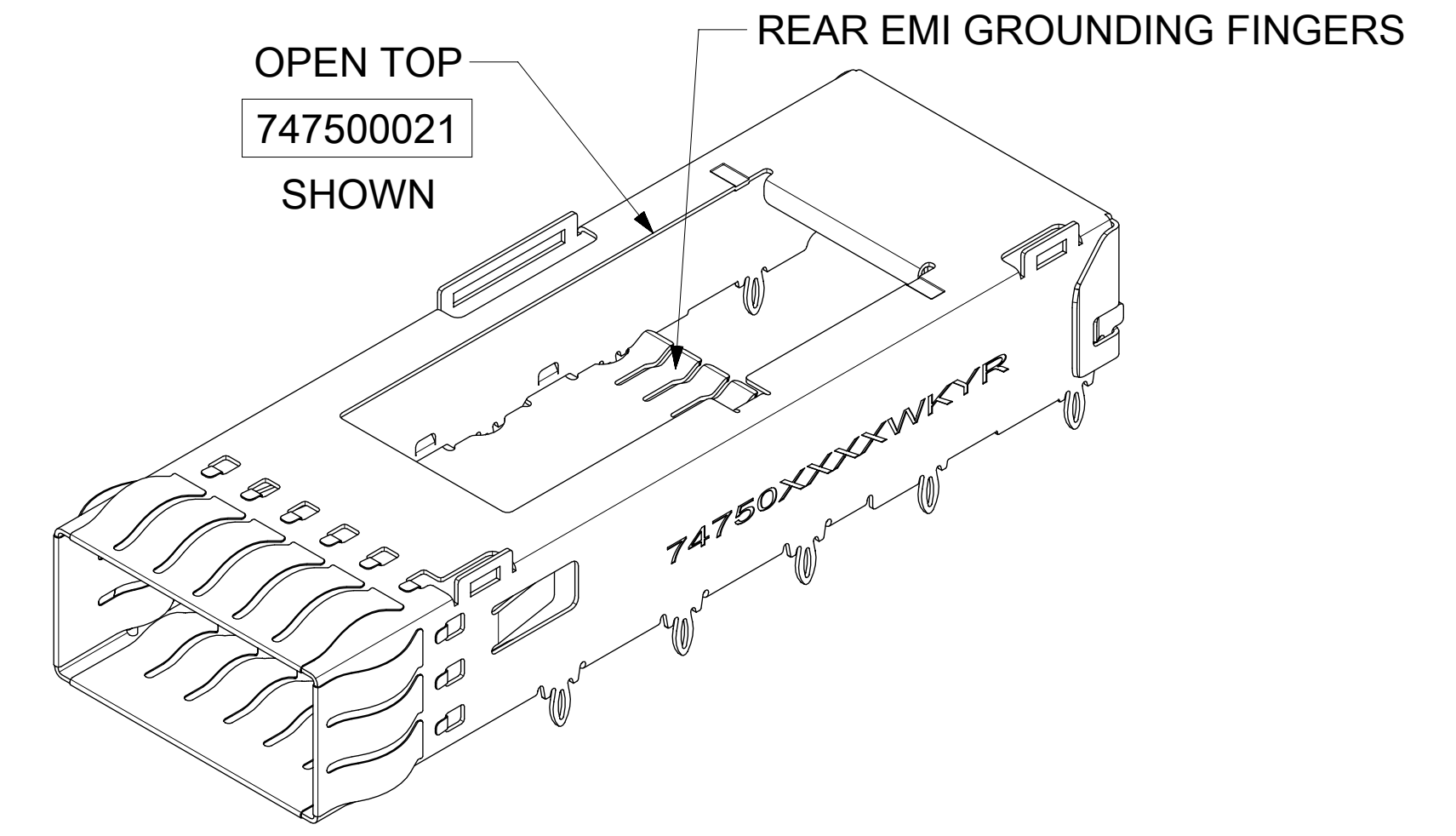
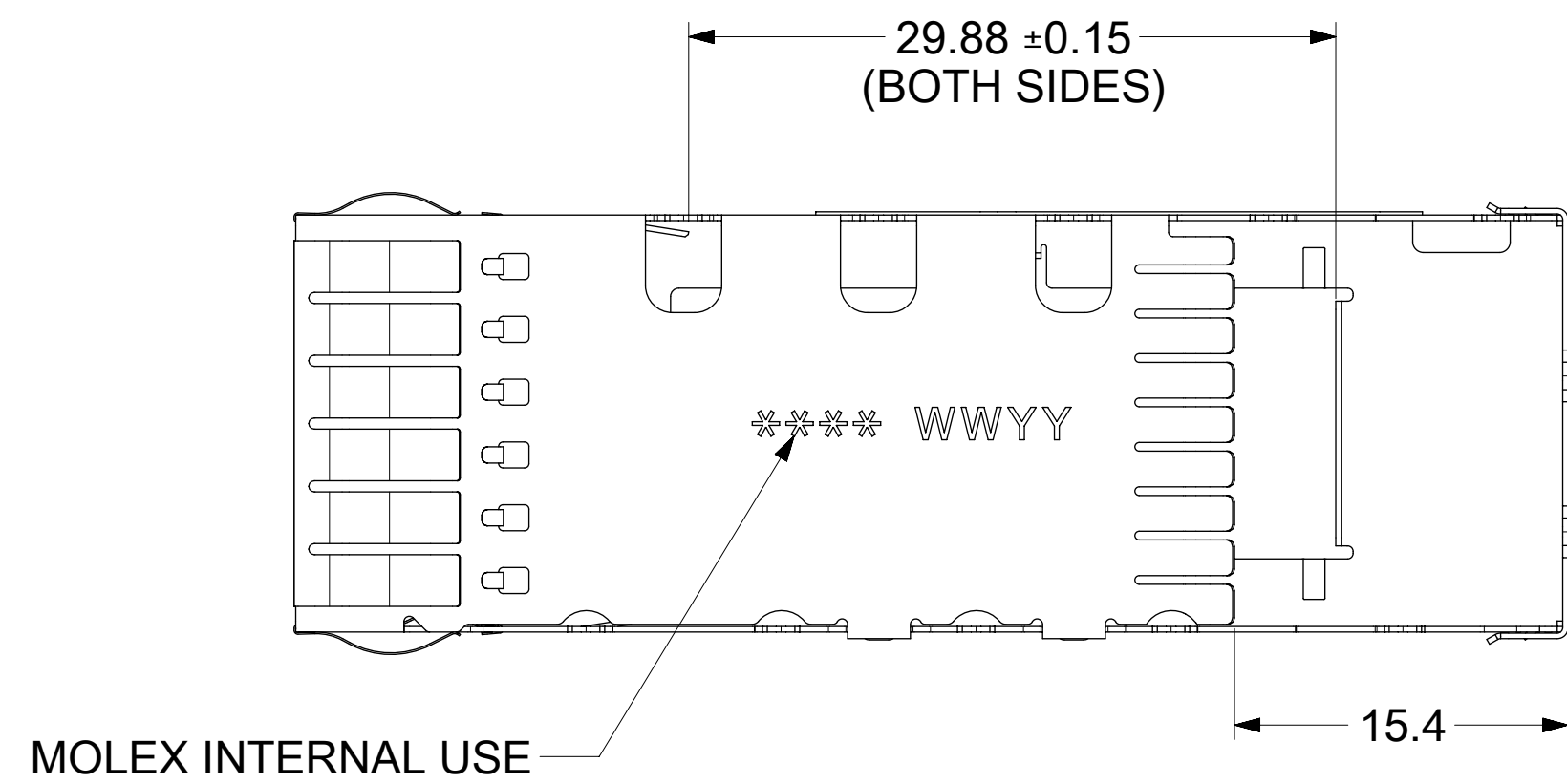
BASE CAGE DETAILS

(APPLIES TO ALL CAGES IN THIS DRAWING)



PART NO. AND WEEK/YEAR DATE CODE TO BE PRINTED ON SIDE OF COMPLETED CAGE ASSEMBLY AS SHOWN.

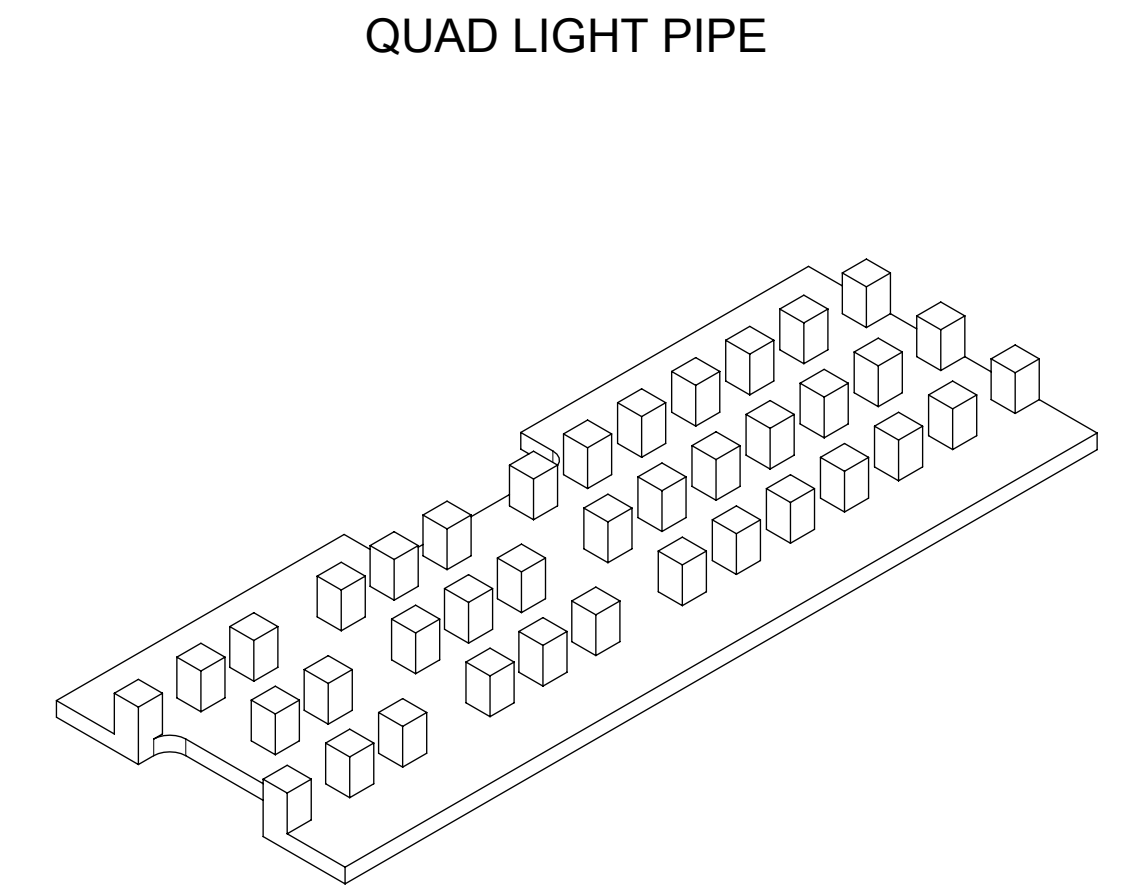
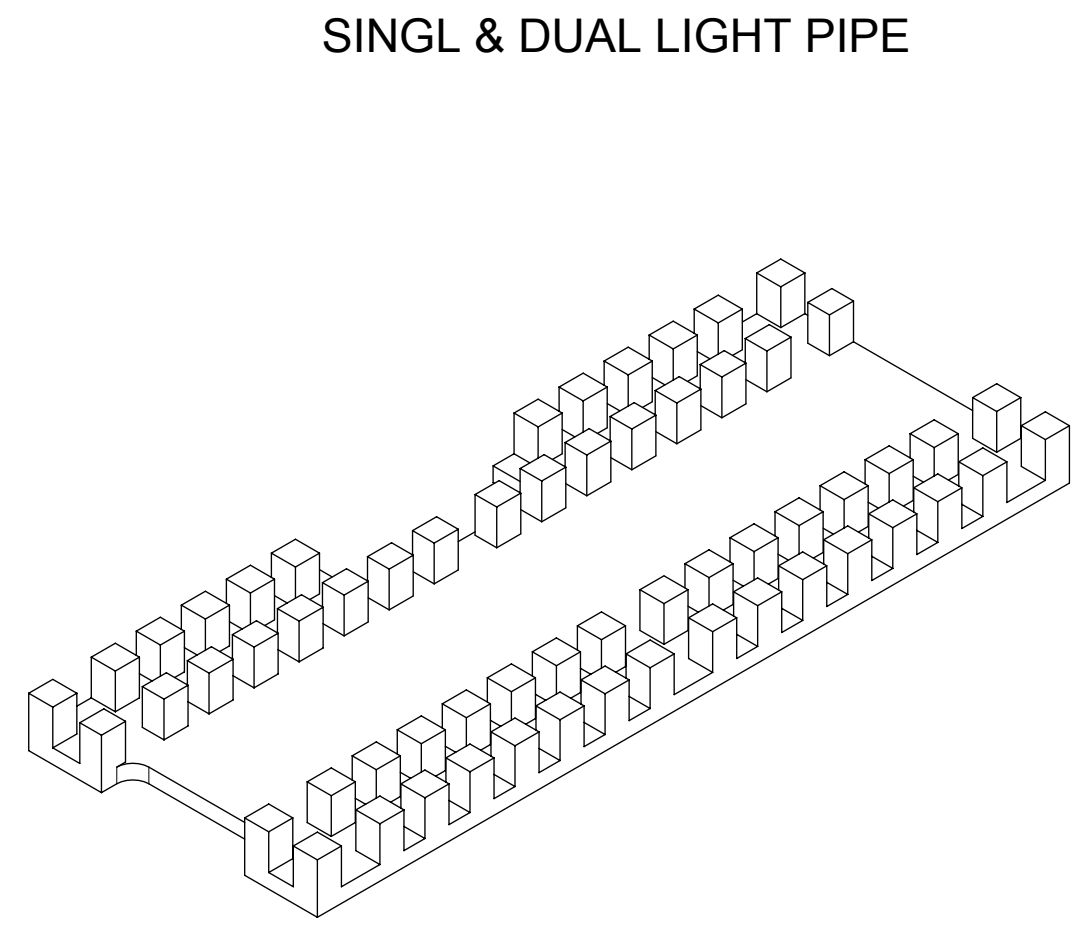
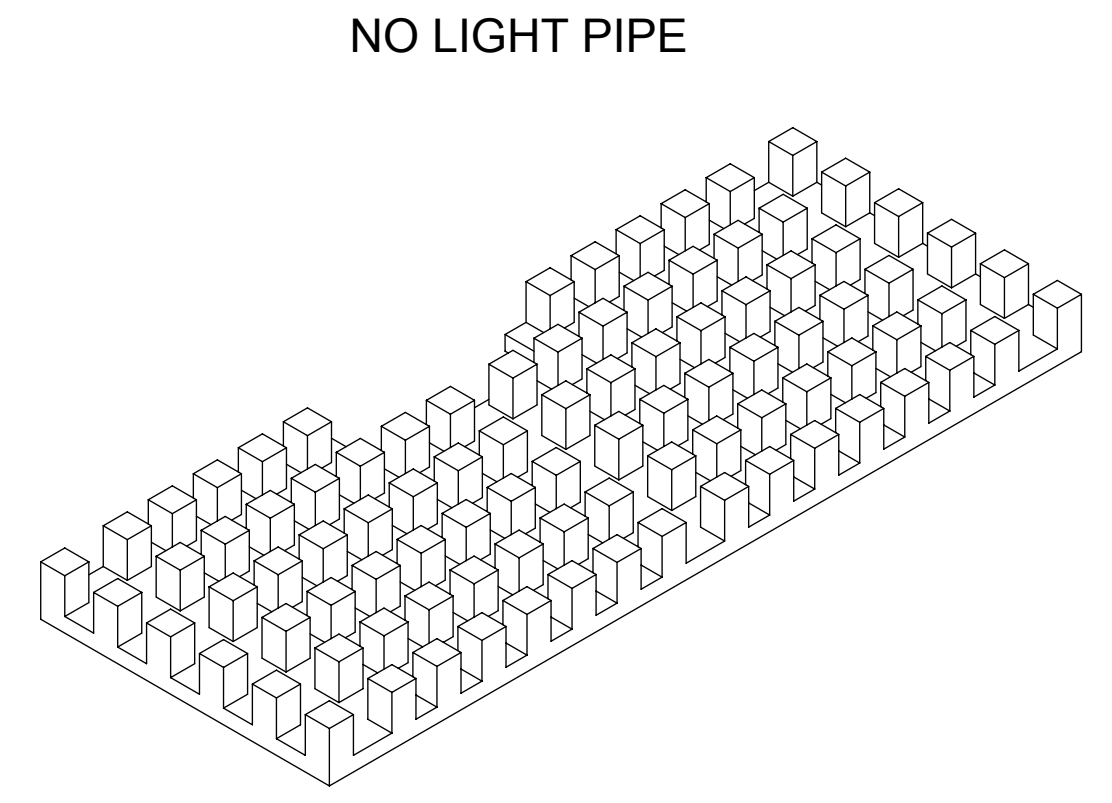
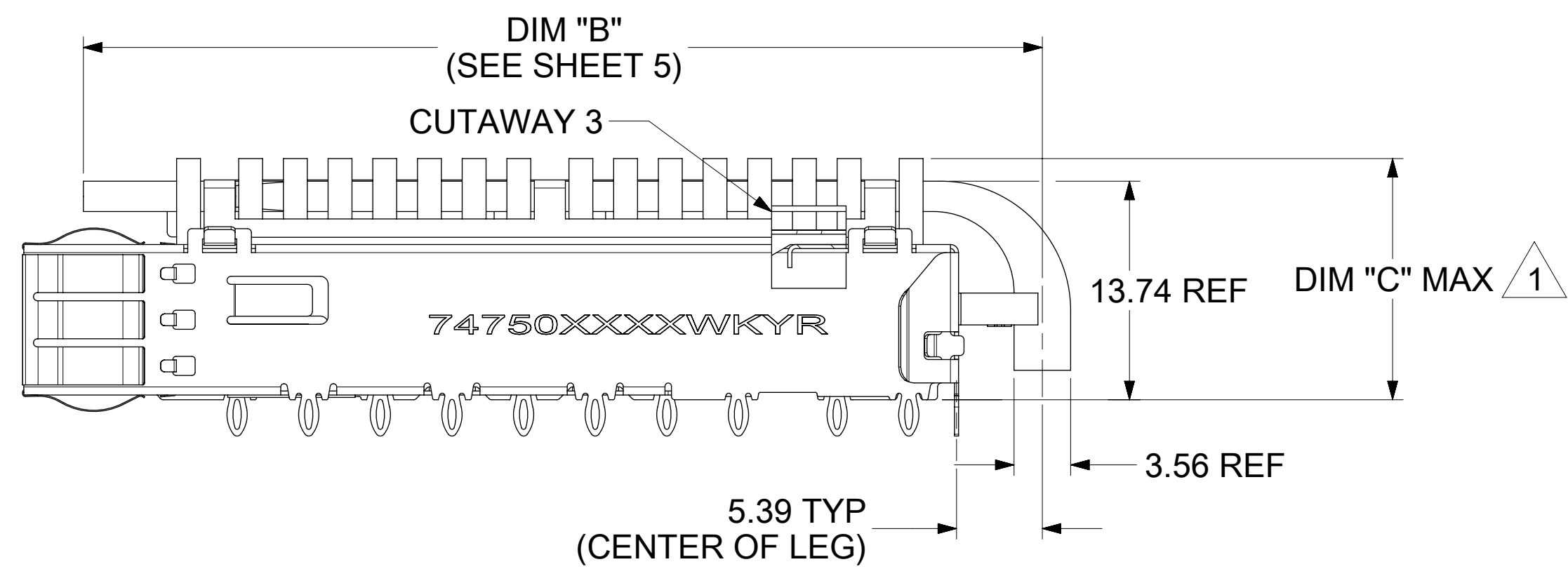
WEEK/YEAR DATE CODE TABLE	
WK	01 THRU 52 EXAMPLE: 01 = FIRST WEEK OF YEAR 52 = LAST WEEK OF YEAR
YR	17, 18, 19 ETC. EXAMPLE: YEAR 2017 = 17



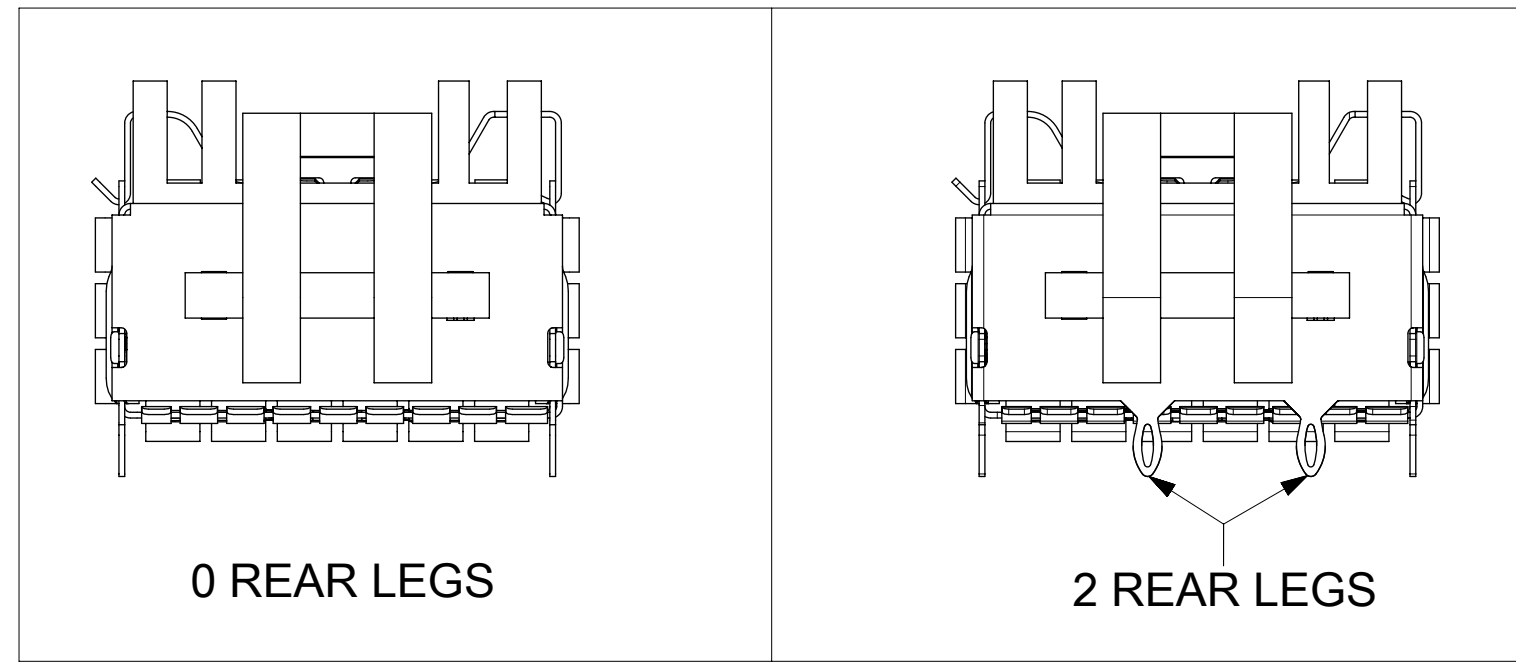
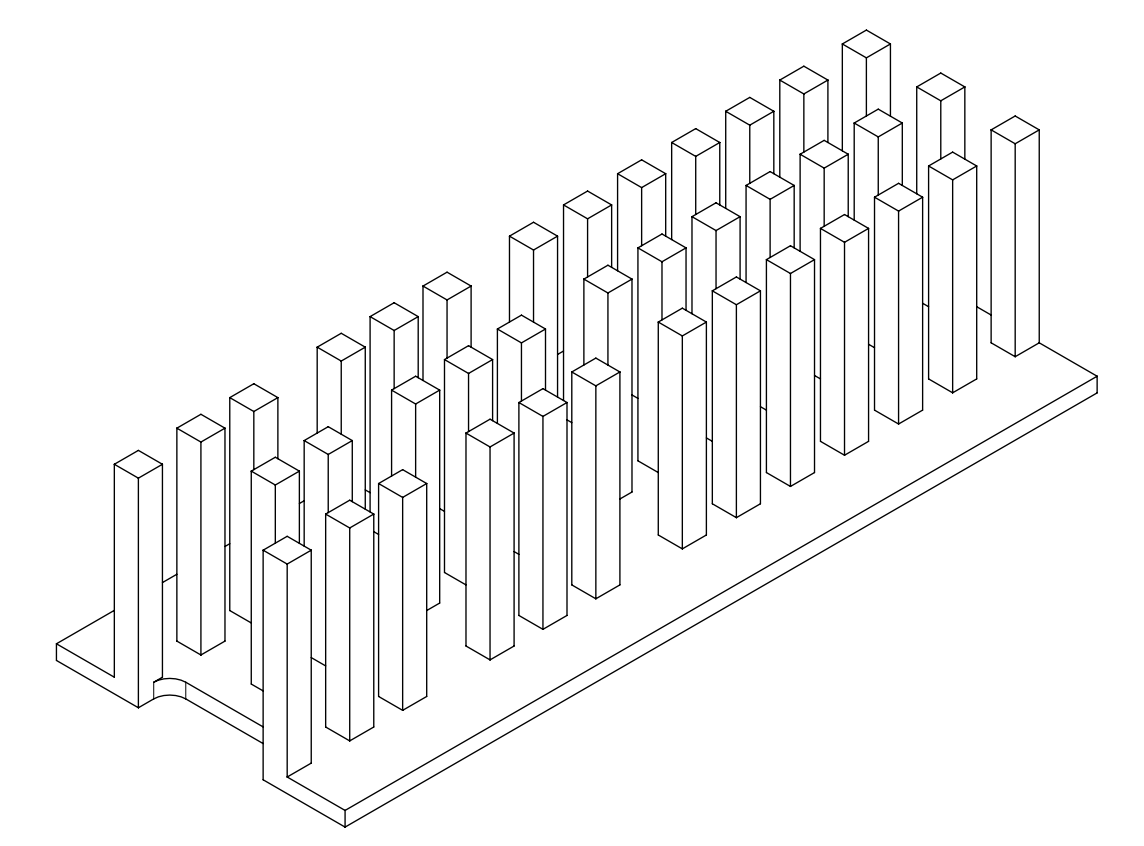
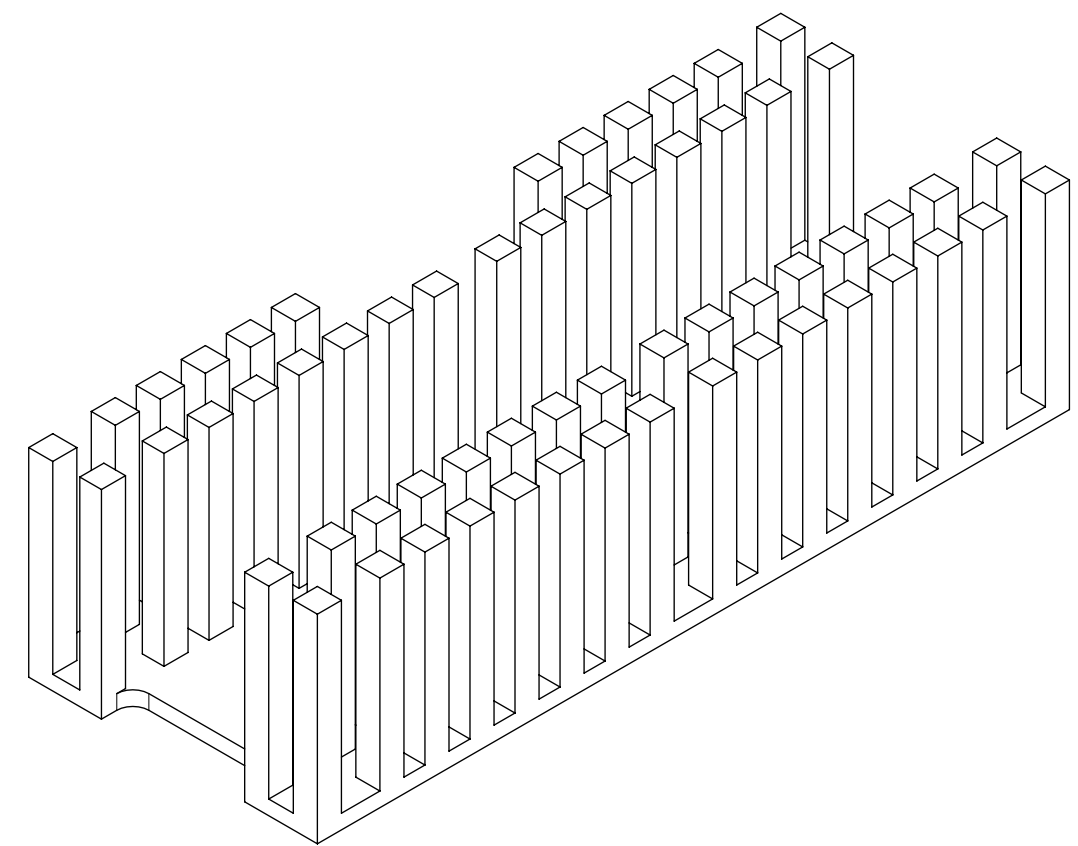
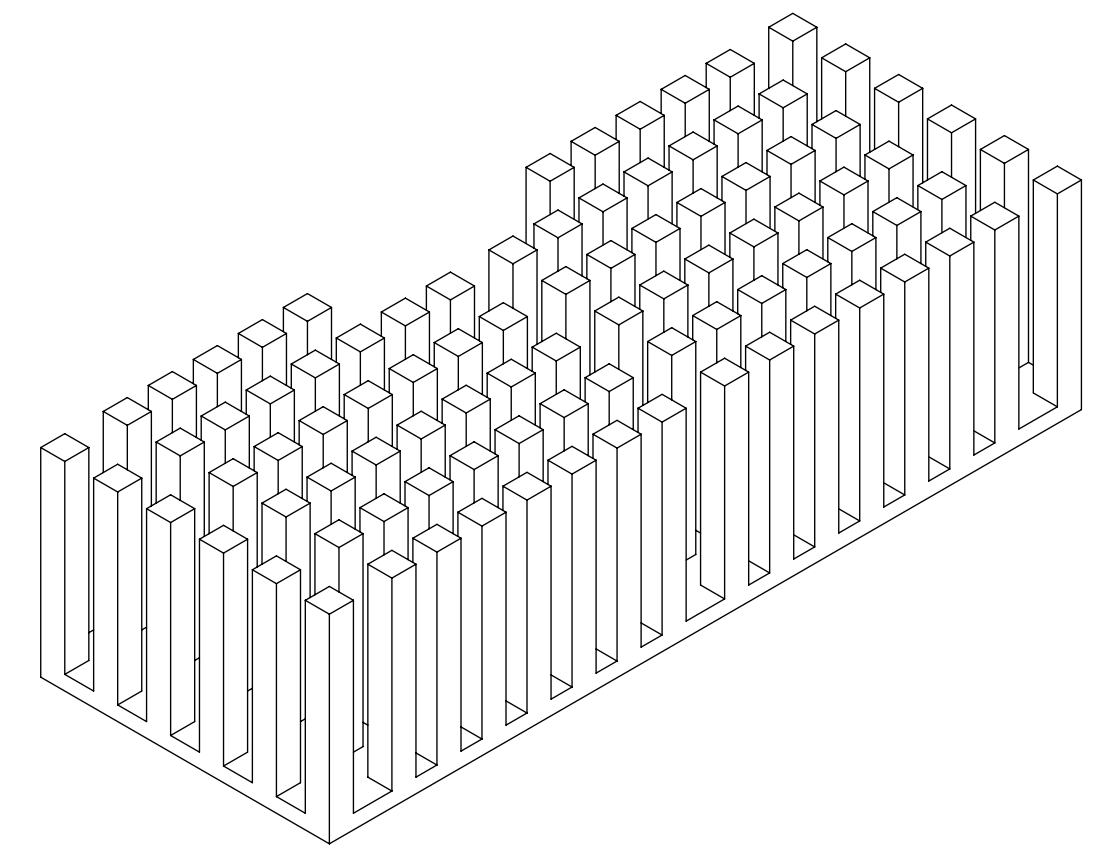
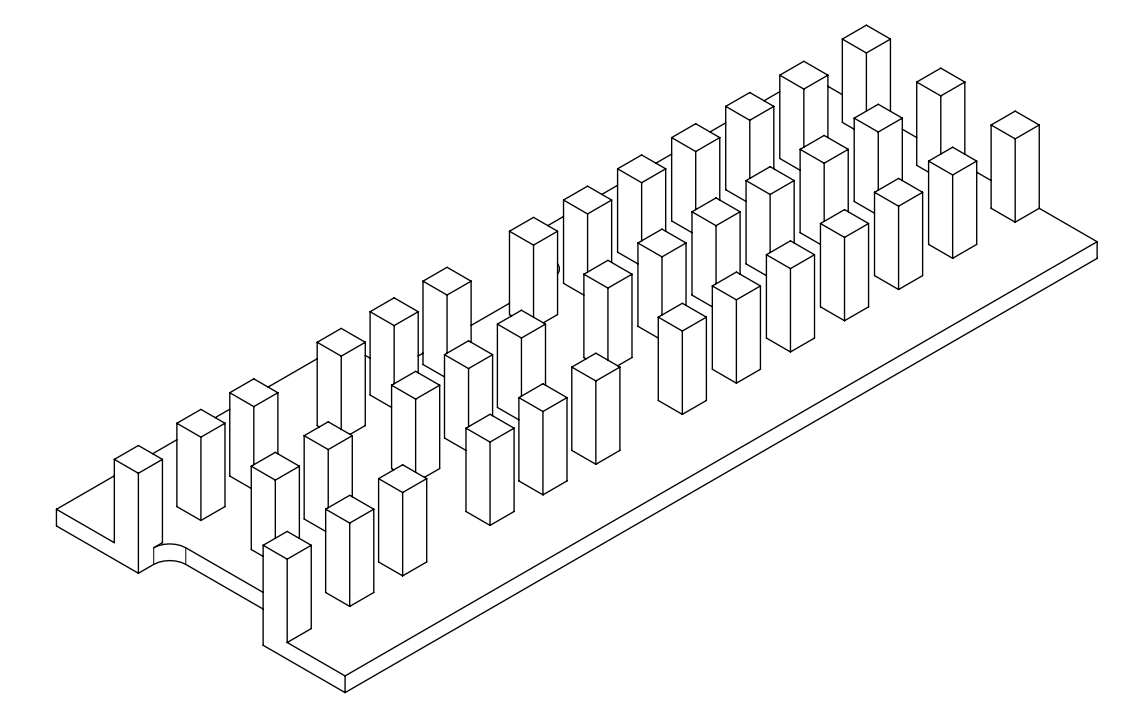
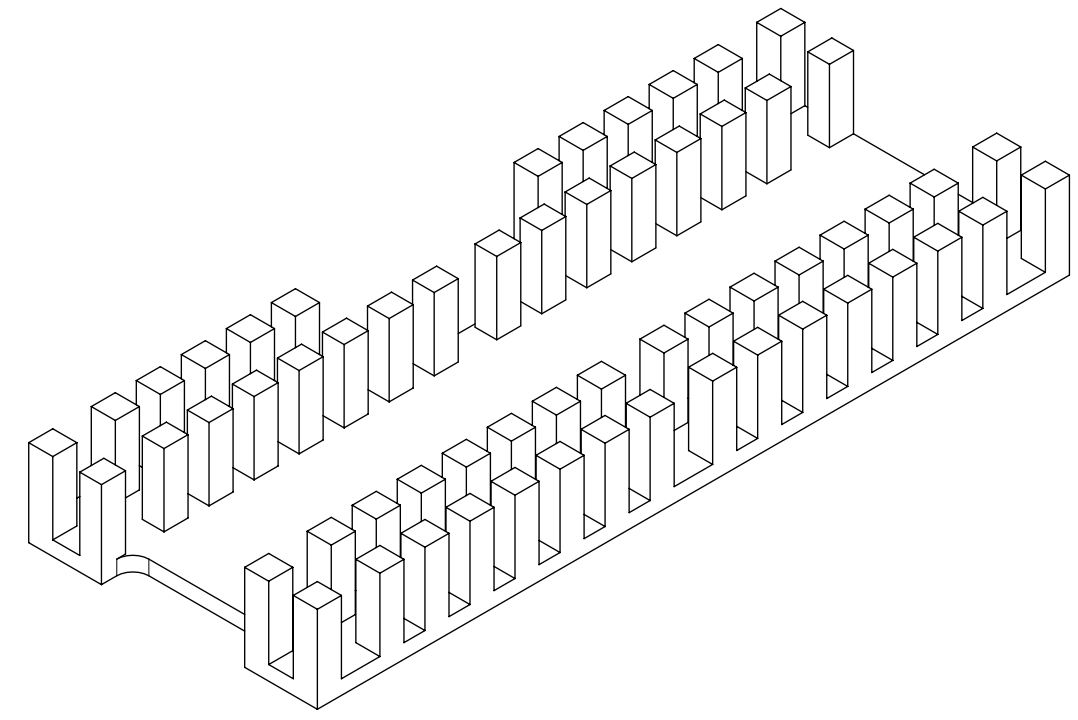
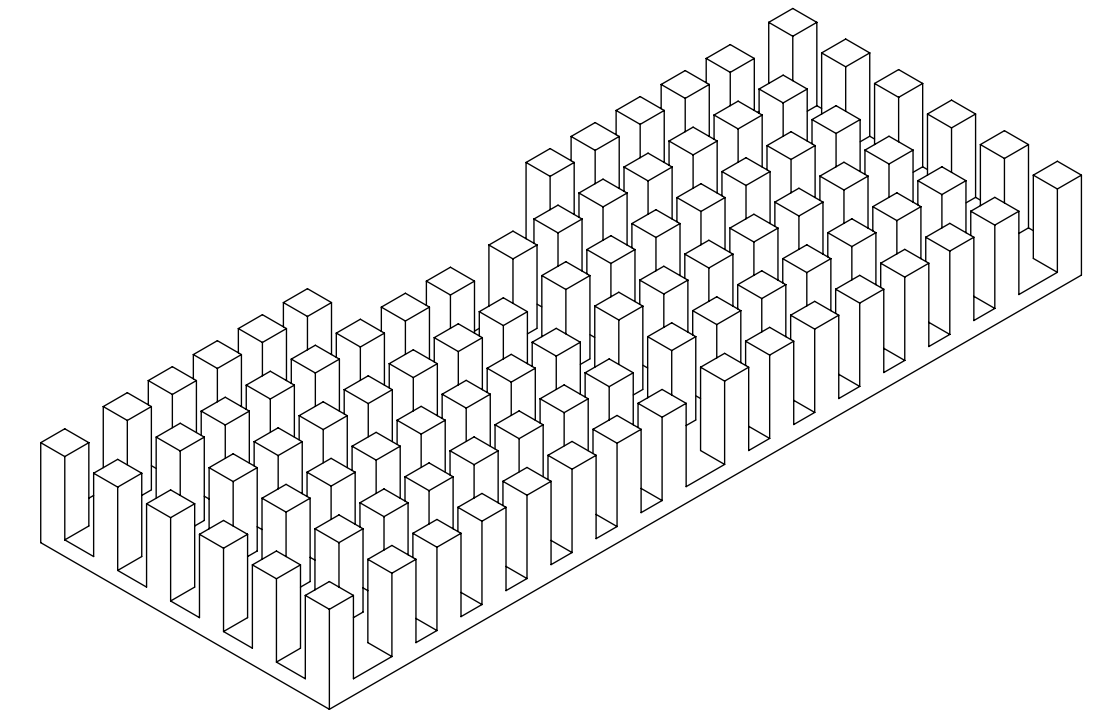
- NOTES:
1. QSFP+ ASSEMBLIES ALSO AVAILABLE WITH 1X2 (74767 SERIES), 1X3 (74768 SERIES), 1X4 (74769 SERIES) AND 1X6 (74771 SERIES) CONFIGURATIONS.
 2. MATERIAL:
 LIGHT PIPE/HEATSINK CLIP: STAINLESS STEEL
 LIGHT PIPES: POLYCARBONATE (UL 94-V-0 RATED)
 HEAT SINKS: BLACK ANNOXIDIZED ALUMINUM
 CAGE: COPPER ALLOY, NICKEL PLATED
 3. NO RoHS EXEMPTIONS
 4. CUSTOM HEATSINKS AVAILABLE UPON REQUEST

THIS DRAWING CONTAINS INFORMATION THAT IS PROPRIETARY TO MOLEX ELECTRONIC TECHNOLOGIES, LLC AND SHOULD NOT BE USED WITHOUT WRITTEN PERMISSION											
DIMENSION UNITS mm		SCALE NTS		CURRENT REV DESC: OBSOLETE PART NUMBER AS PER PCN#509457							
GENERAL TOLERANCES (UNLESS SPECIFIED)		ANGULAR TOL ± 1.0°		EC NO: 680890							
4 PLACES ±		3 PLACES ±		DRWN: SANTHN		2021/05/14		QSFP+ 1X1 CAGE ASSEMBLY WITH SPRING FINGER TYPE			
2 PLACES ± 0.13		1 PLACE ± 0.25		CHK'D: GGA		2021/11/25					
0 PLACES ±		DRAFT WHERE APPLICABLE MUST REMAIN WITHIN DIMENSIONS		APPR: GGA		2021/11/25		PRODUCT CUSTOMER DRAWING			
THIRD ANGLE PROJECTION		DRAWING		SERIES		MATERIAL NUMBER		CUSTOMER		SHEET NUMBER	
D-SIZE		74750		747500021		GENERAL MARKET		PSD ASY N1		1 OF 12	

CAGE ASSEMBLY OPTIONS



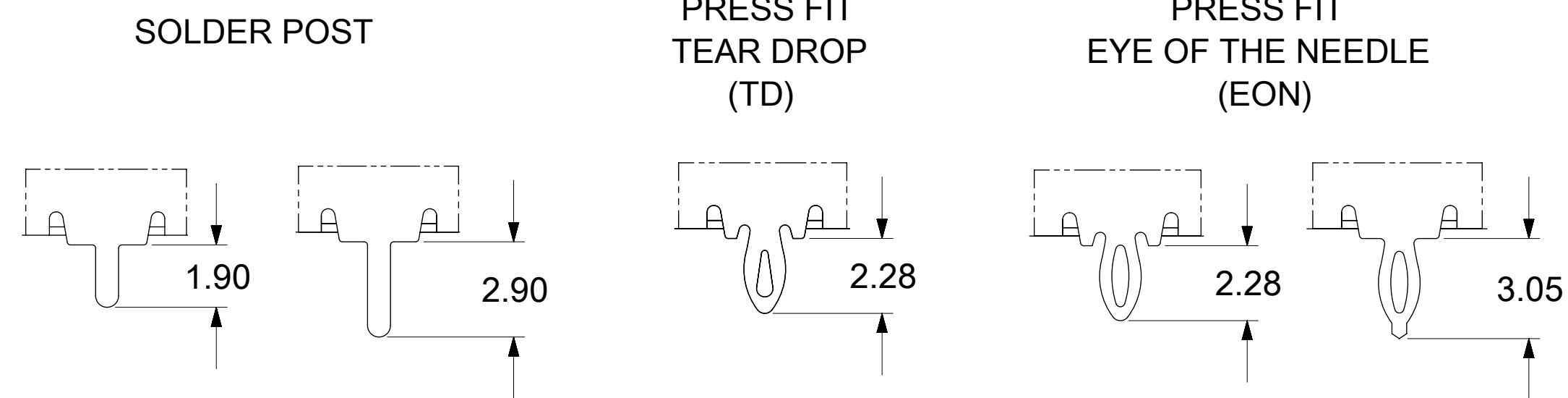
REAR LEG OPTIONS



LEG OPTIONS

HEAT SINK HEIGHT OPTIONS

OVERALL HEAT SINK HEIGHT	DIM C
PCI	13.7
SAN	16.0
NET	23.0



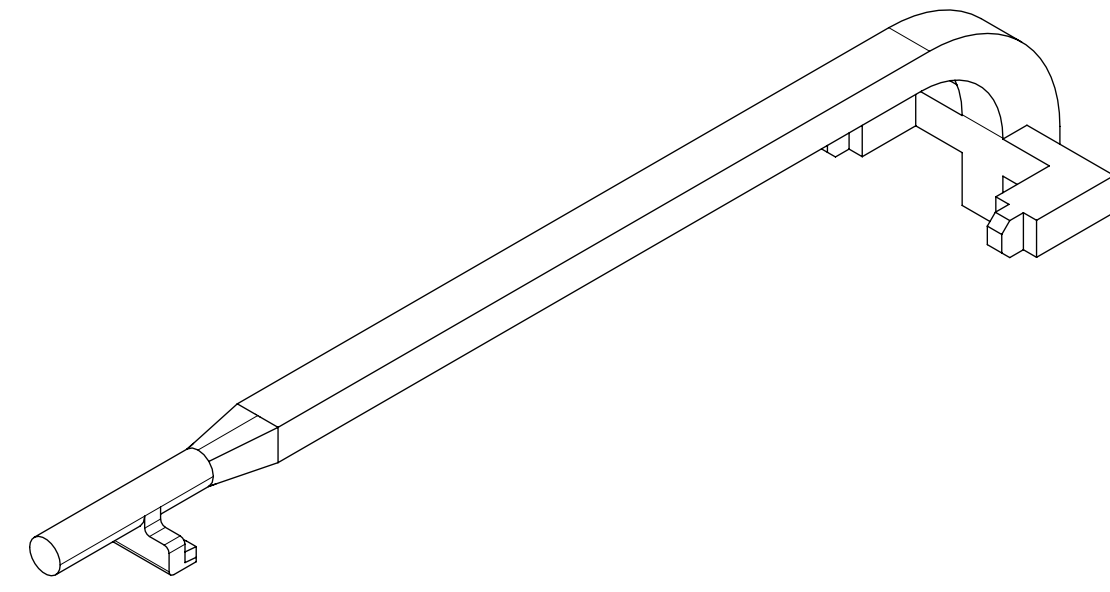
THIS DRAWING CONTAINS INFORMATION THAT IS PROPRIETARY TO MOLEX ELECTRONIC TECHNOLOGIES, LLC AND SHOULD NOT BE USED WITHOUT WRITTEN PERMISSION

DIMENSION UNITS: mm	SCALE: NTS	CURRENT REV DESC: OBSOLETE PART NUMBER AS PER PCN#509457			
GENERAL TOLERANCES (UNLESS SPECIFIED)		EC NO: 680890			
ANGULAR TOL: ± 1.0°	4 PLACES: ±	DRWN: SANTHN	PRODUCT CUSTOMER DRAWING		
3 PLACES: ±	2 PLACES: ± 0.13	CHK'D: GGA	DOCUMENT NUMBER	DOC TYPE	DOC PART
1 PLACE: ± 0.25	0 PLACES: ±	APPR: GGA	747500021	PSD	ASY
DRAFT WHERE APPLICABLE MUST REMAIN WITHIN DIMENSIONS		INITIAL REVISION: DRWN: SJKG	REVISION		
THIRD ANGLE PROJECTION		APPR: RCHEN08	N1		
D-SIZE		SERIES: 74750	SHEET NUMBER		
MATERIAL NUMBER		CUSTOMER: GENERAL MARKET	2 OF 12		

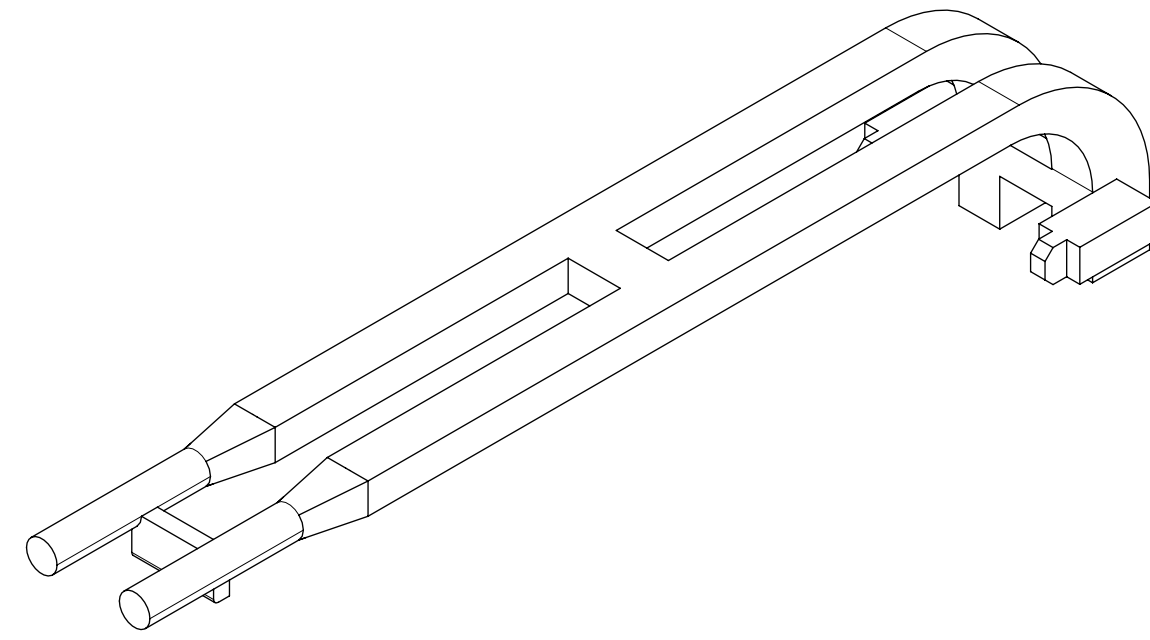
1 HEIGHT OF HEATSINK WITH MODULE INSERTED. DIMENSION MAY BE LESS DUE TO MODULE AND HEATSINK VARIATIONS.

CAGE ASSEMBLY OPTIONS (CONT.)

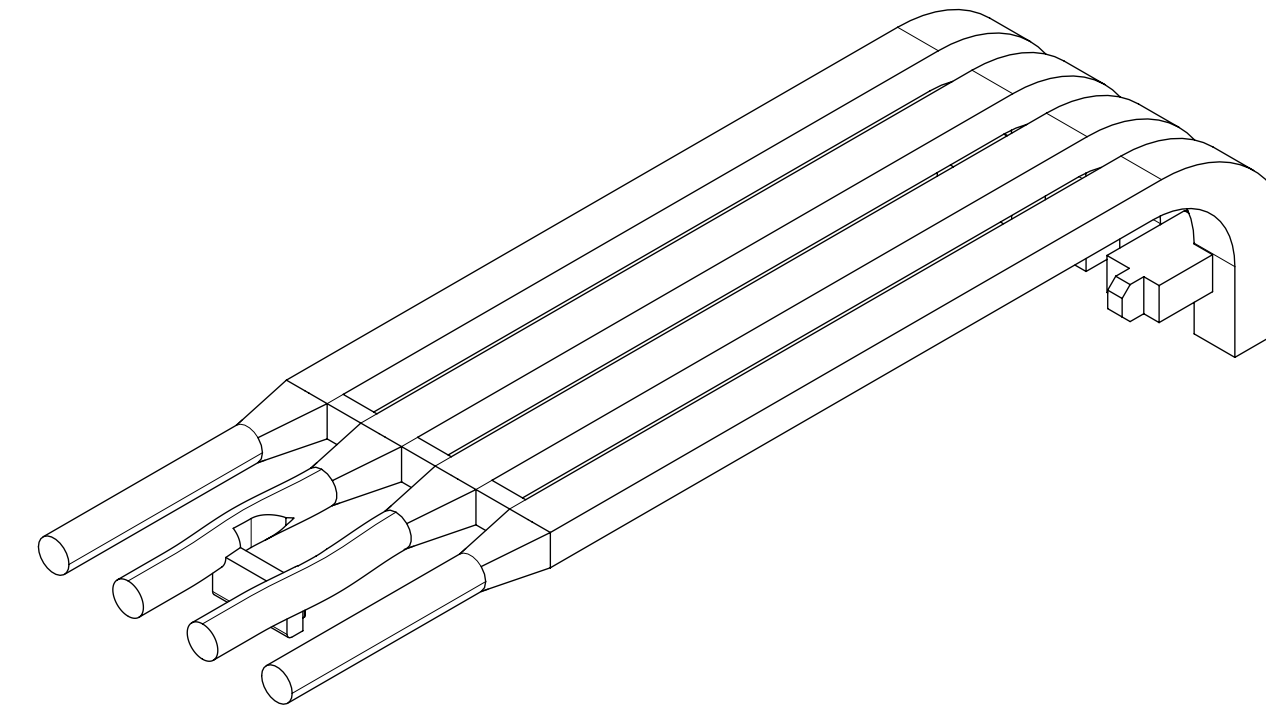
SINGLE LIGHT PIPE



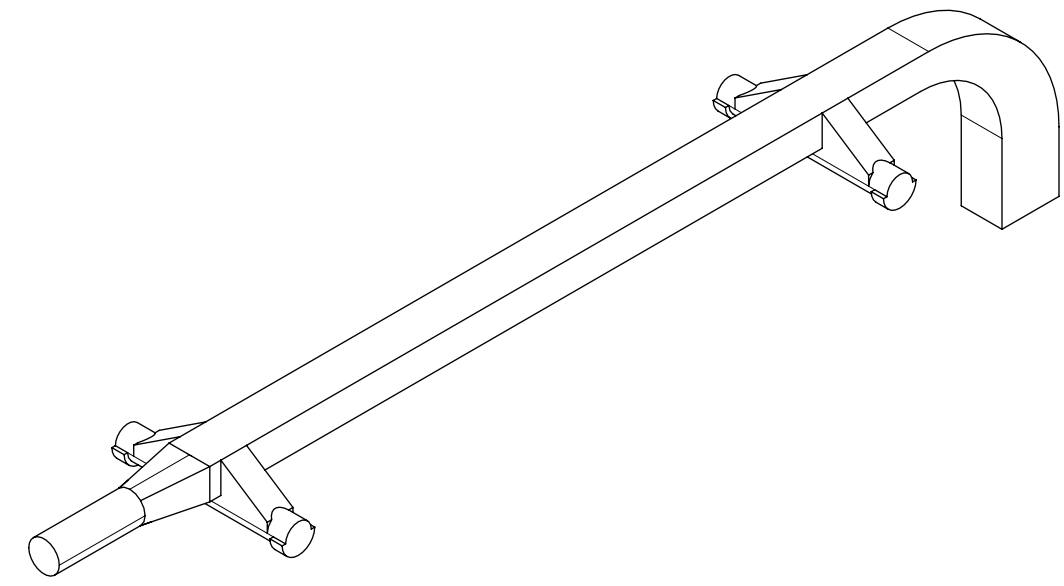
DUAL LIGHT PIPE



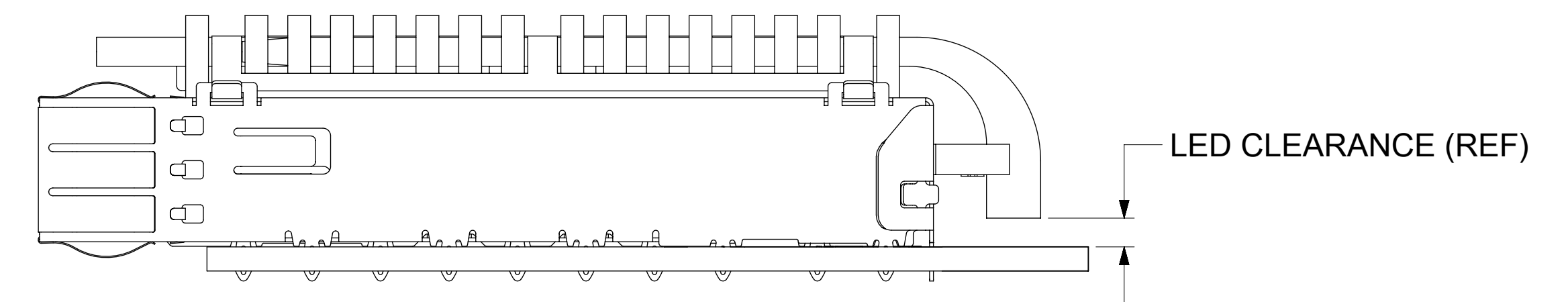
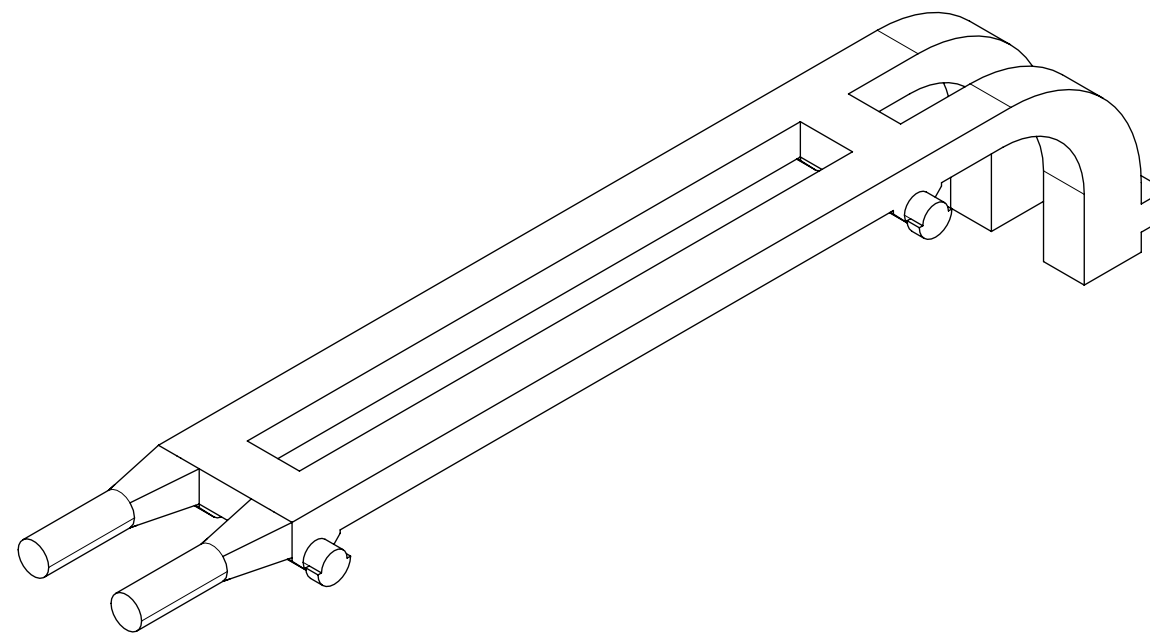
QUAD LIGHT PIPE



SINGLE LIGHT PIPE



DUAL LIGHT PIPE



LIGHT PIPE	LED CLEARANCE (REF)
SINGLE	1.86
SINGLE	1.86
DUAL	1.86
DUAL	1.86
QUAD	1.86

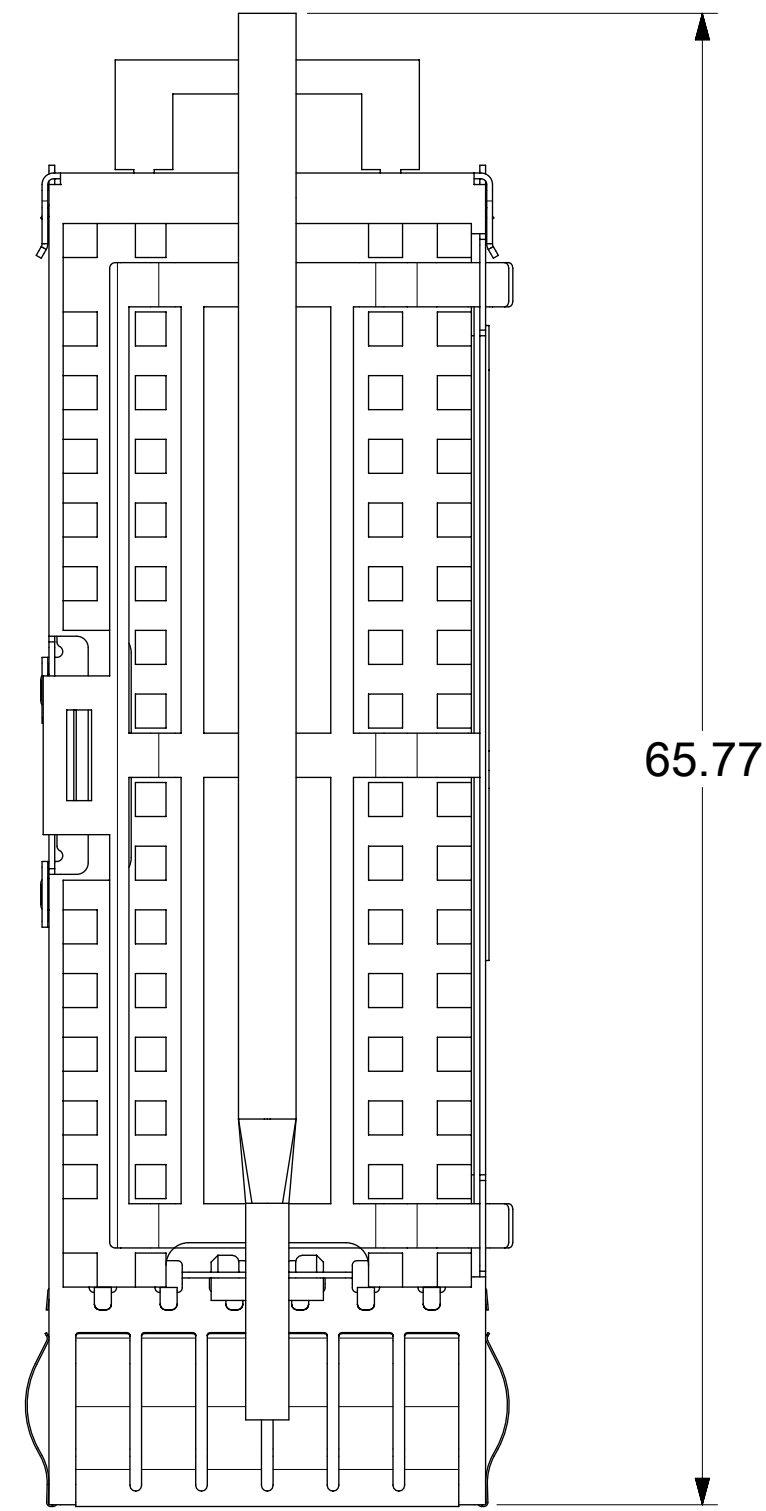
THIS DRAWING CONTAINS INFORMATION THAT IS PROPRIETARY TO MOLEX ELECTRONIC TECHNOLOGIES, LLC AND SHOULD NOT BE USED WITHOUT WRITTEN PERMISSION

DIMENSION UNITS mm	SCALE NTS	CURRENT REV DESC: OBSOLETE PART NUMBER AS PER PCN#509457	molex		
GENERAL TOLERANCES (UNLESS SPECIFIED)					
ANGULAR TOL ± 1.0°		EC NO: 680890	PRODUCT CUSTOMER DRAWING		
4 PLACES ±		DRWN: SANTHN 2021/05/14	DOCUMENT NUMBER		
3 PLACES ±		CHK'D: GGA 2021/11/25	DOC TYPE DOC PART REVISION		
2 PLACES ± 0.13		APPR: GGA 2021/11/25	747500021 PSD ASY N1		
1 PLACE ± 0.25		INITIAL REVISION:	MATERIAL NUMBER CUSTOMER SHEET NUMBER		
0 PLACES ±		DRWN: SJKG 2016/06/23	74750 GENERAL MARKET 3 OF 12		
DRAFT WHERE APPLICABLE MUST REMAIN WITHIN DIMENSIONS	THIRD ANGLE PROJECTION	DRAWING SERIES			
		D-SIZE 74750			

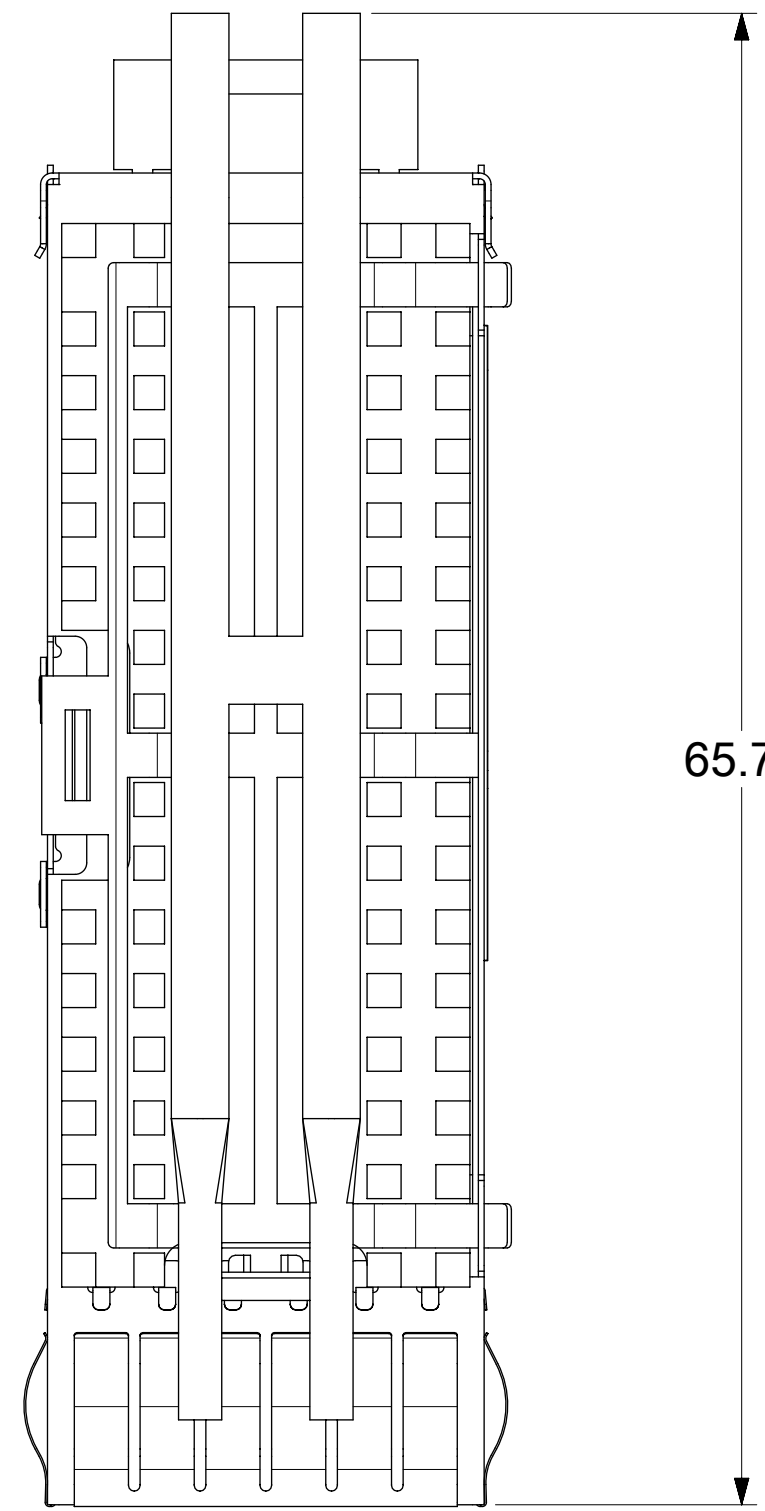
NOTE:
1) FOR HEATSINK OPTIONS SEE SHEET 2.

DOCUMENT STATUS	P1	RELEASE DATE	2021/11/25	12:19:23
-----------------	----	--------------	------------	----------

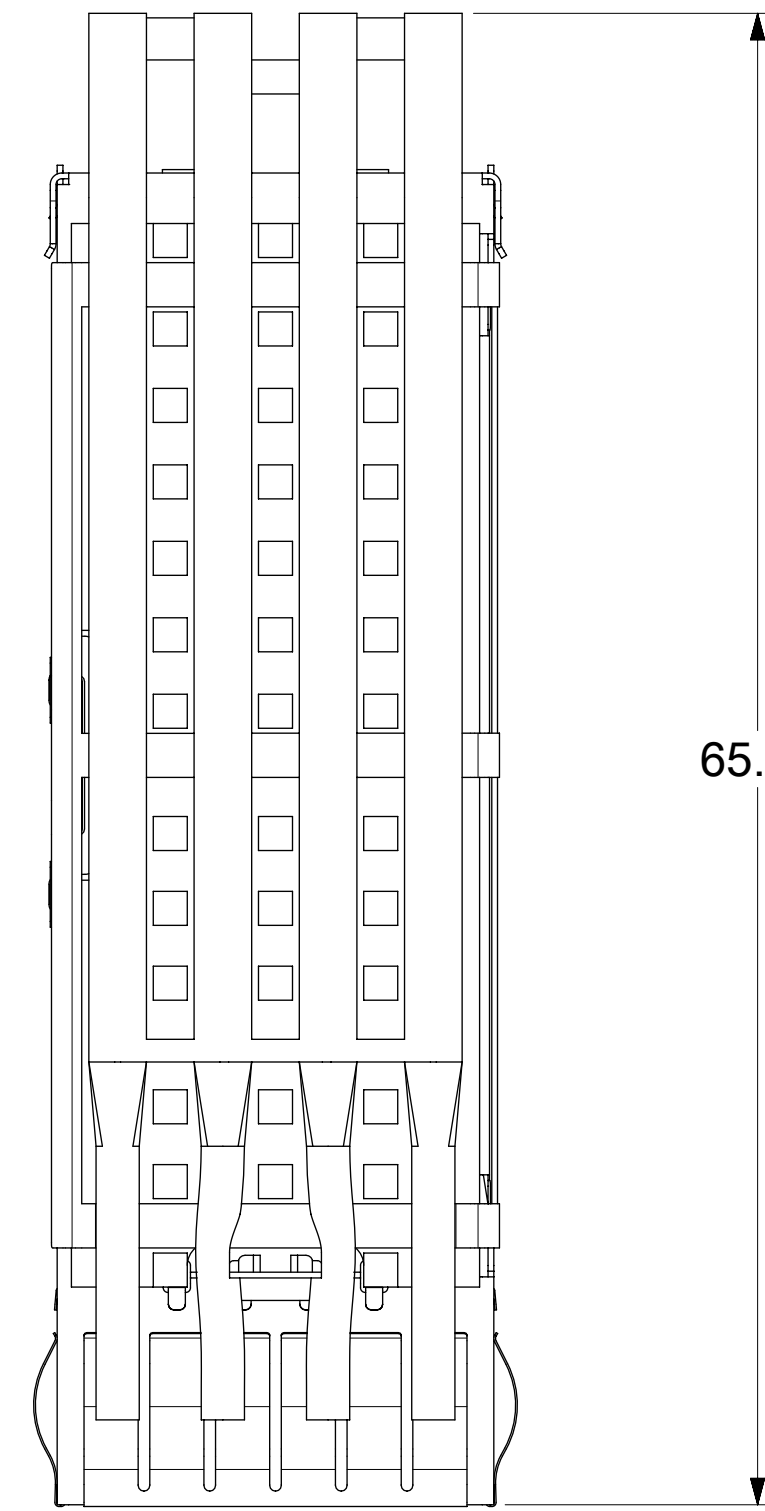
CAGE ASSEMBLY OPTIONS (CONT.)



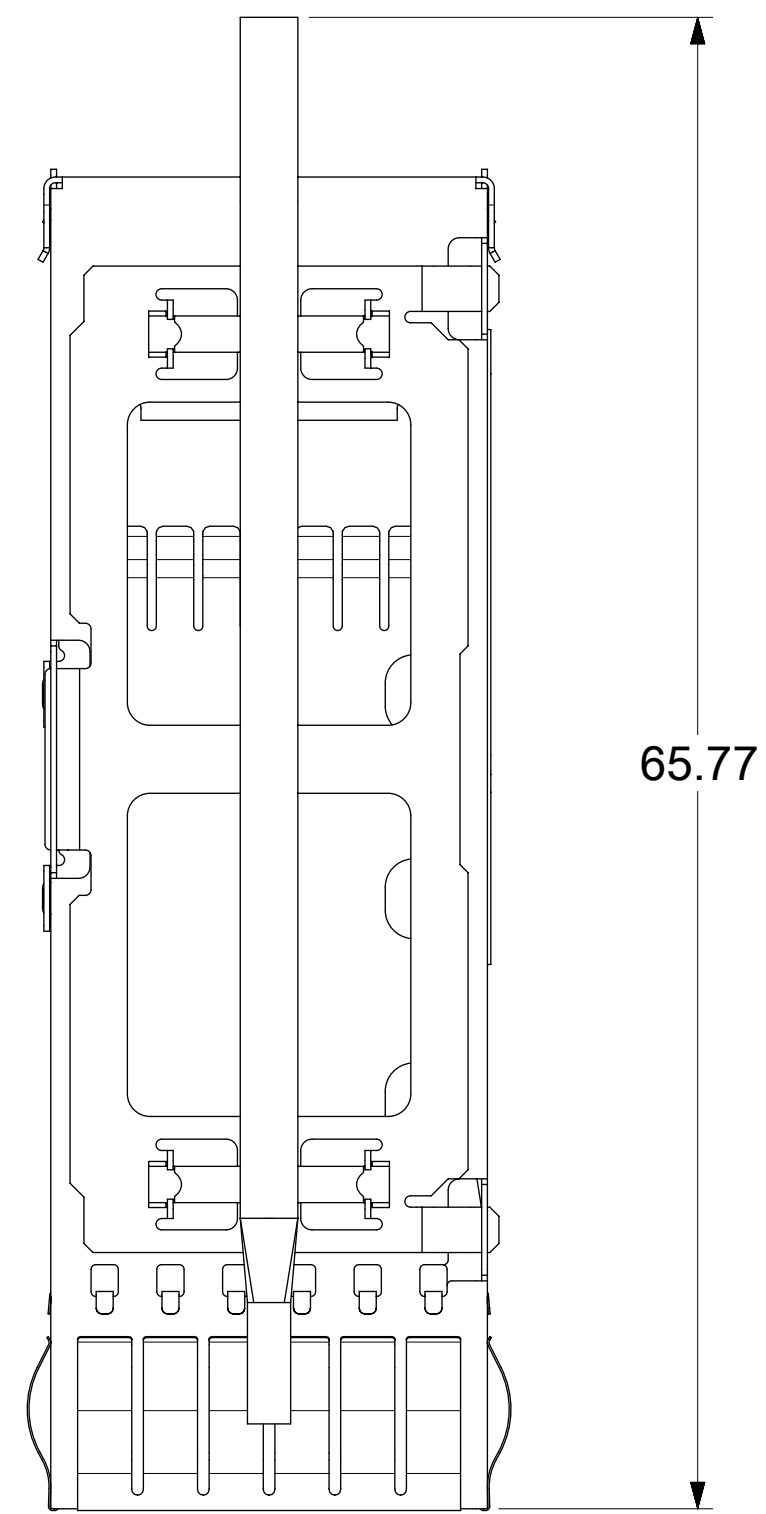
65.77



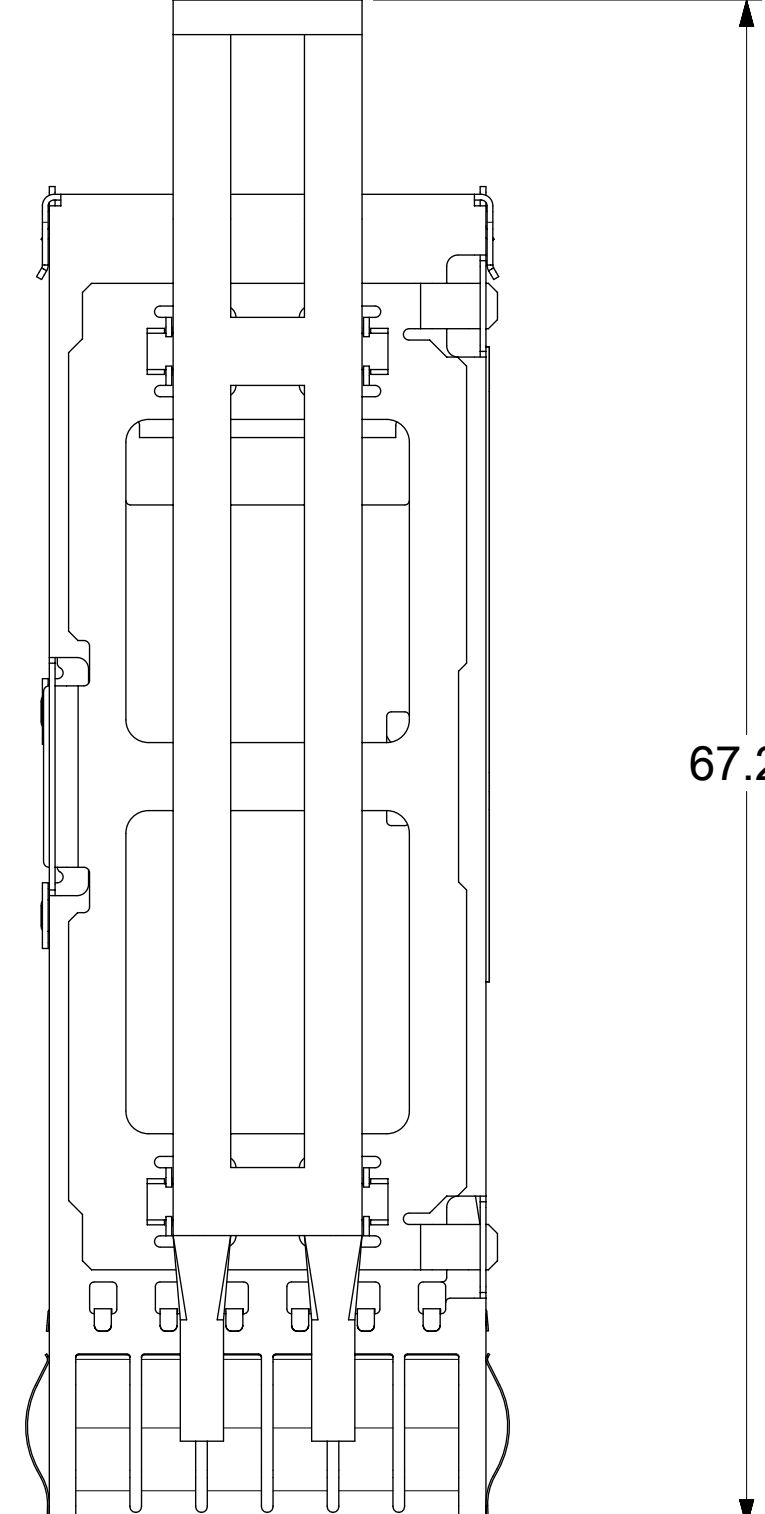
65.77



65.77



65.77

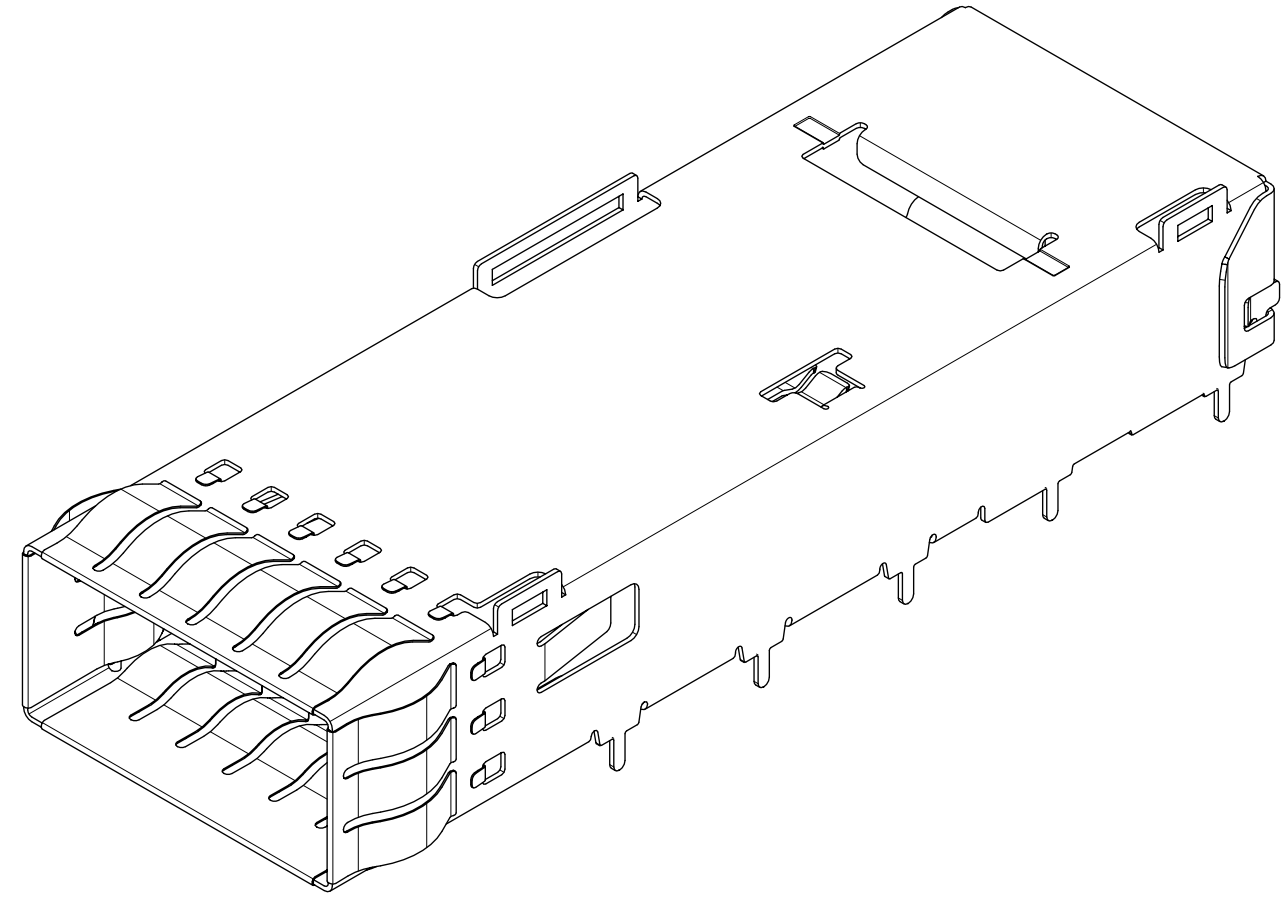


67.29

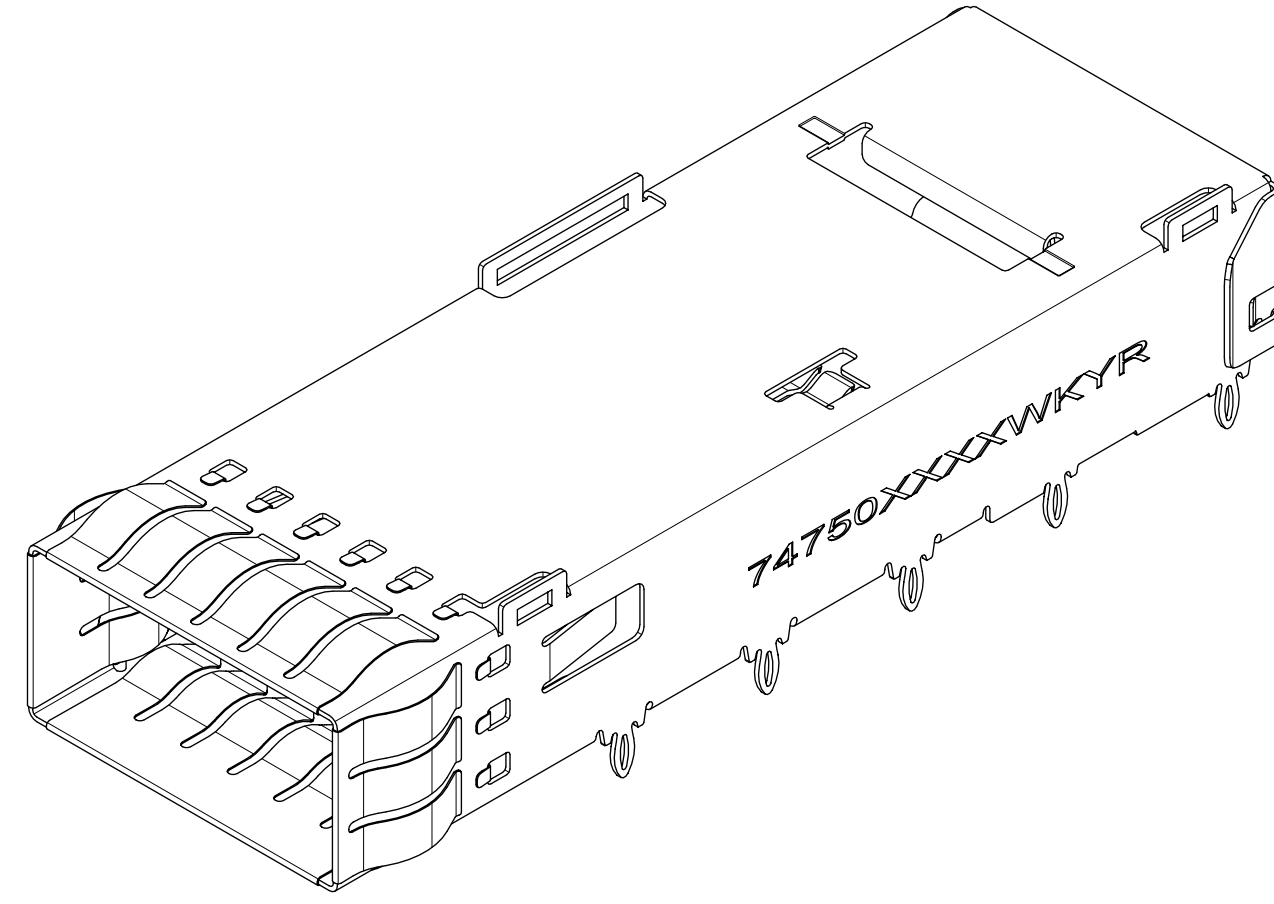
THIS DRAWING CONTAINS INFORMATION THAT IS PROPRIETARY TO MOLEX ELECTRONIC TECHNOLOGIES, LLC AND SHOULD NOT BE USED WITHOUT WRITTEN PERMISSION

DIMENSION UNITS mm	SCALE NTS	CURRENT REV DESC: OBSOLETE PART NUMBER AS PER PCN#509457				
GENERAL TOLERANCES (UNLESS SPECIFIED)						QSFP+ 1X1 CAGE ASSEMBLY WITH SPRING FINGER TYPE
ANGULAR TOL	± 1.0°	EC NO: 680890	PRODUCT CUSTOMER DRAWING			
4 PLACES	±	DRWN: SANTHN 2021/05/14				
3 PLACES	±	CHK'D: GGA 2021/11/25				
2 PLACES	± 0.13	APPR: GGA 2021/11/25				
1 PLACE	± 0.25	INITIAL REVISION:				
0 PLACES	±	DRWN: SJKG 2016/06/23				
		APPR: RCHEN08 2017/06/05				
DRAFT WHERE APPLICABLE MUST REMAIN WITHIN DIMENSIONS	THIRD ANGLE PROJECTION	DRAWING	SERIES	MATERIAL NUMBER	CUSTOMER	SHEET NUMBER
		D-SIZE	74750	747500021	GENERAL MARKET	4 OF 12

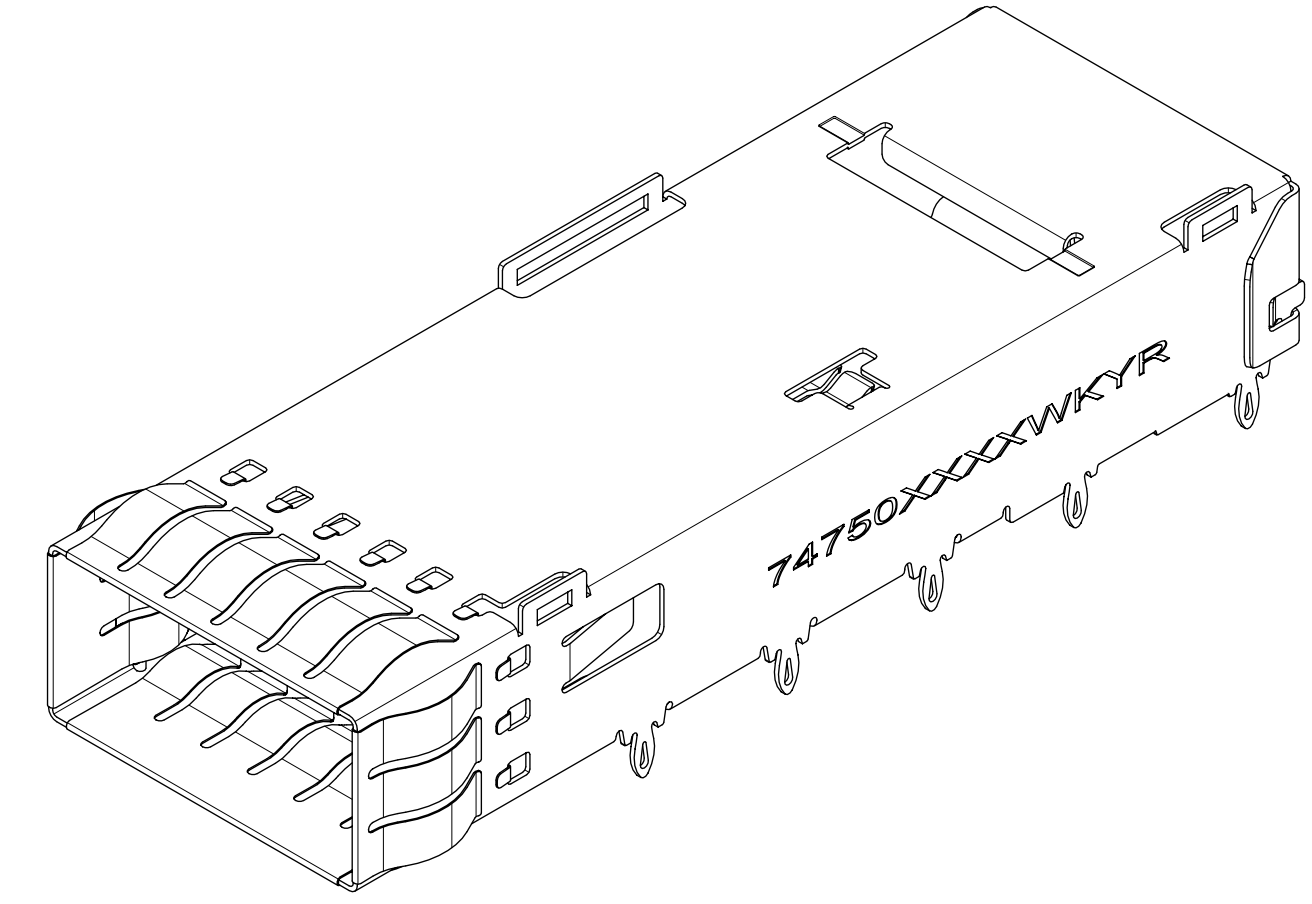
PART NUMBER SELECTION



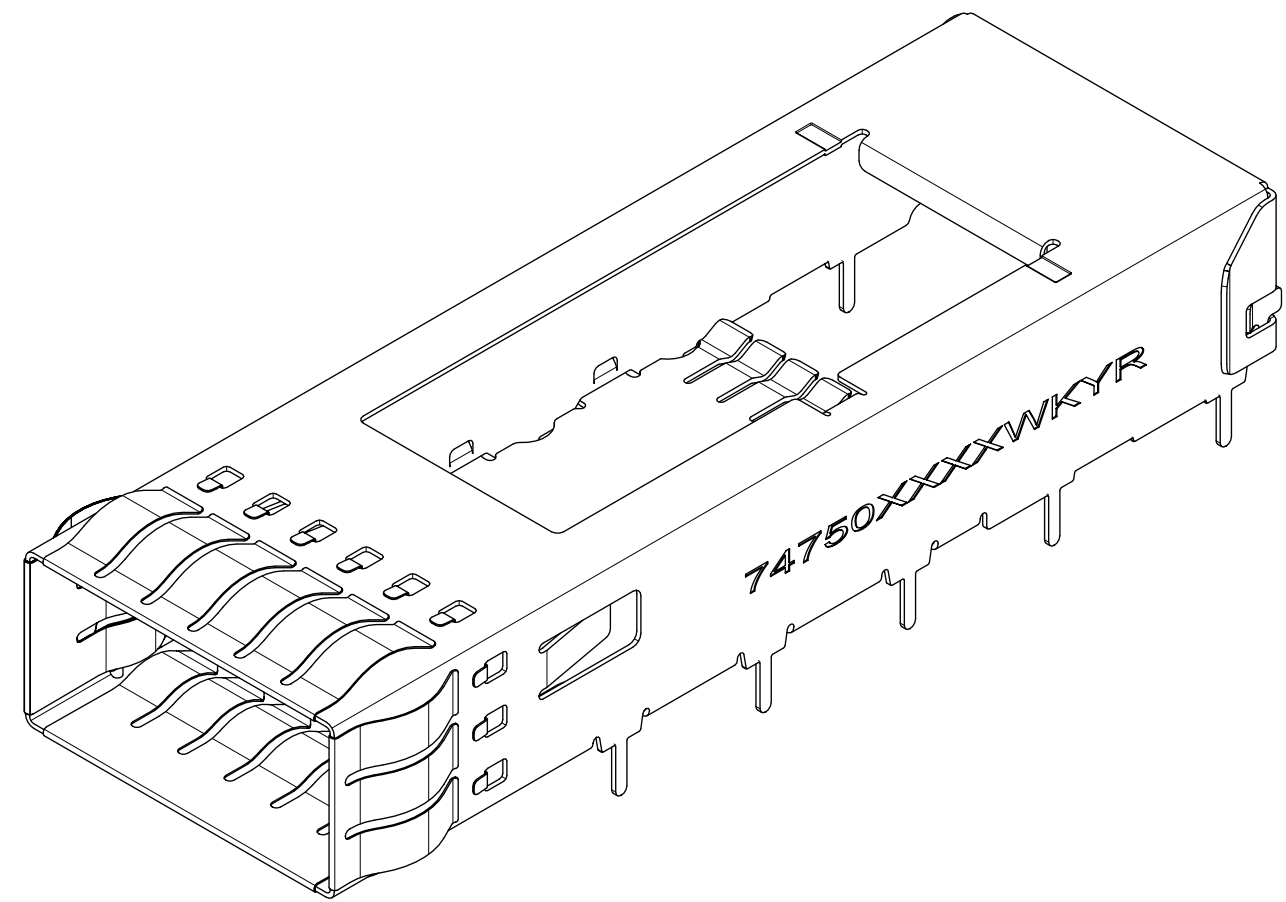
MOLEX P/N	# OF REAR LEGS PER PORT	LEG TYPE	DIM "A"	PLATING
747500051	2	SOLDER POST	1.90	NICKEL
747500053	2	SOLDER POST	1.90	MATTE TIN



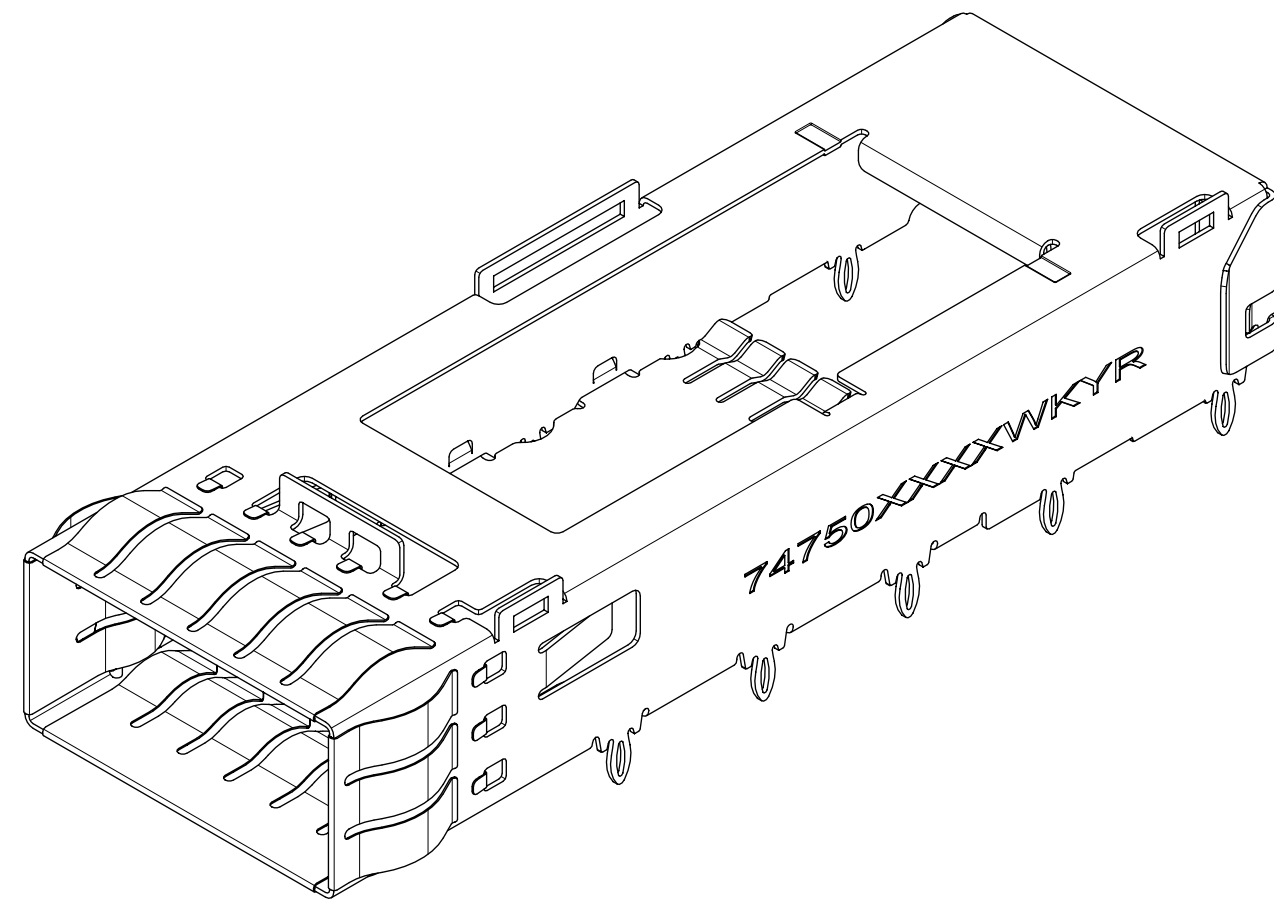
MOLEX P/N	# OF REAR LEGS PER PORT	LEG TYPE	DIM "A"	PLATING
747500024	2	PRESS FIT-EON	2.28	NICKEL



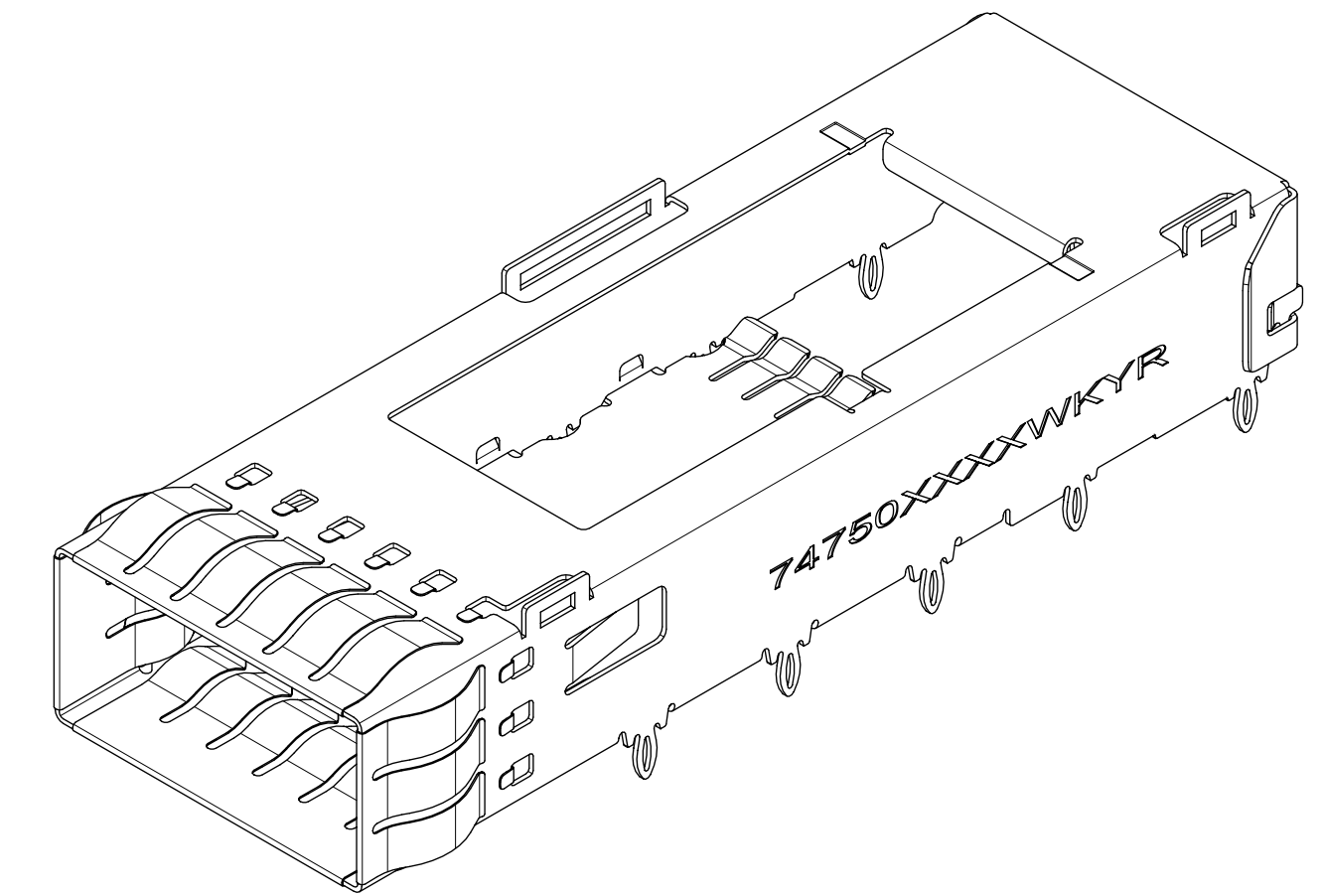
MOLEX P/N	# OF REAR LEGS PER PORT	LEG TYPE	DIM "A"	PLATING
747501102	2	PRESS FIT-TD	2.28	NICKEL



MOLEX P/N	# OF REAR LEGS PER PORT	LEG TYPE	DIM "A"	PLATING
747500062	2	SOLDER POST	2.90	NICKEL



MOLEX P/N	# OF REAR LEGS PER PORT	LEG TYPE	DIM "A"	PLATING
747500092	2	PRESS FIT-EON	2.28	NICKEL
747500093	0	PRESS FIT-EON	2.28	NICKEL

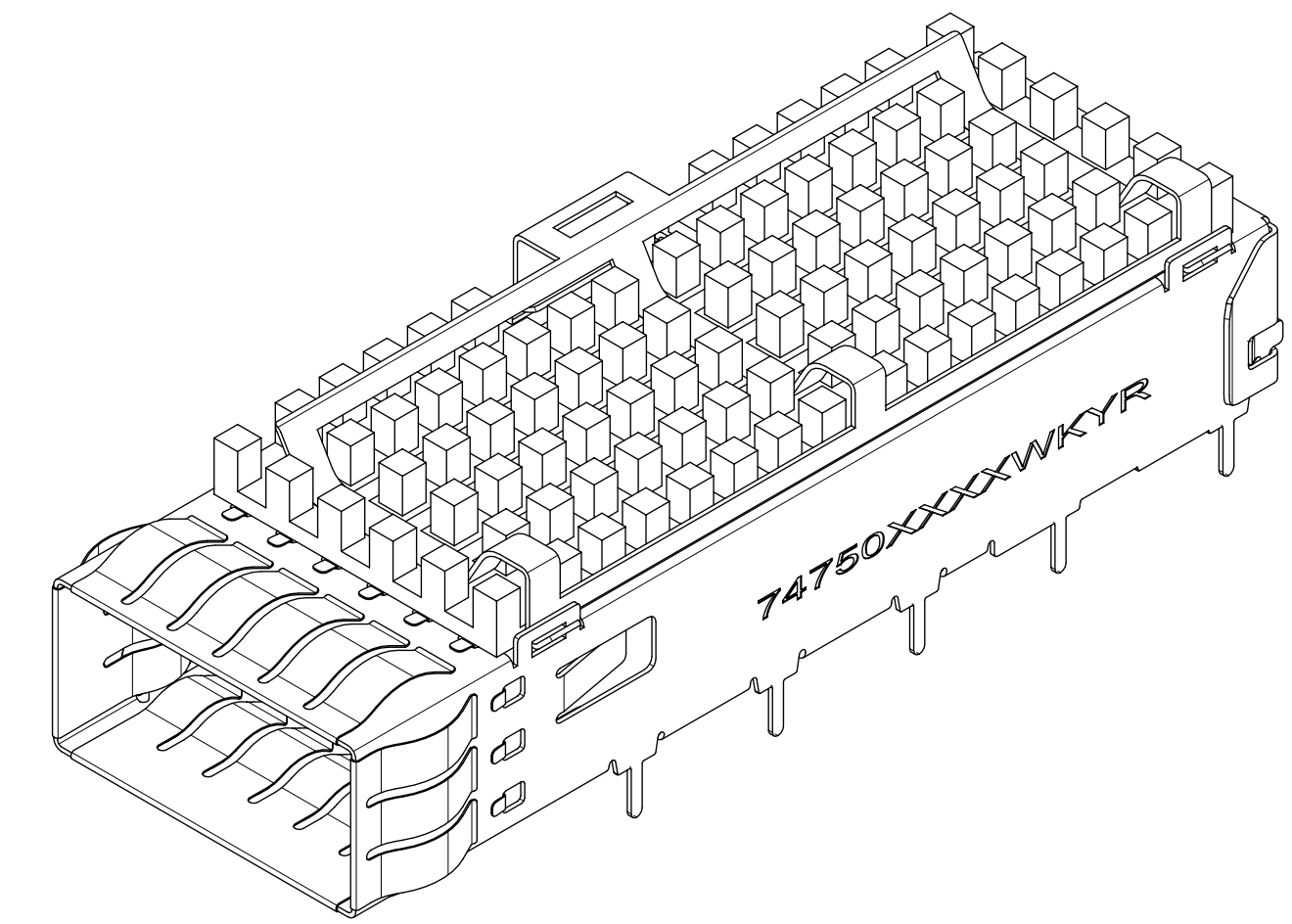
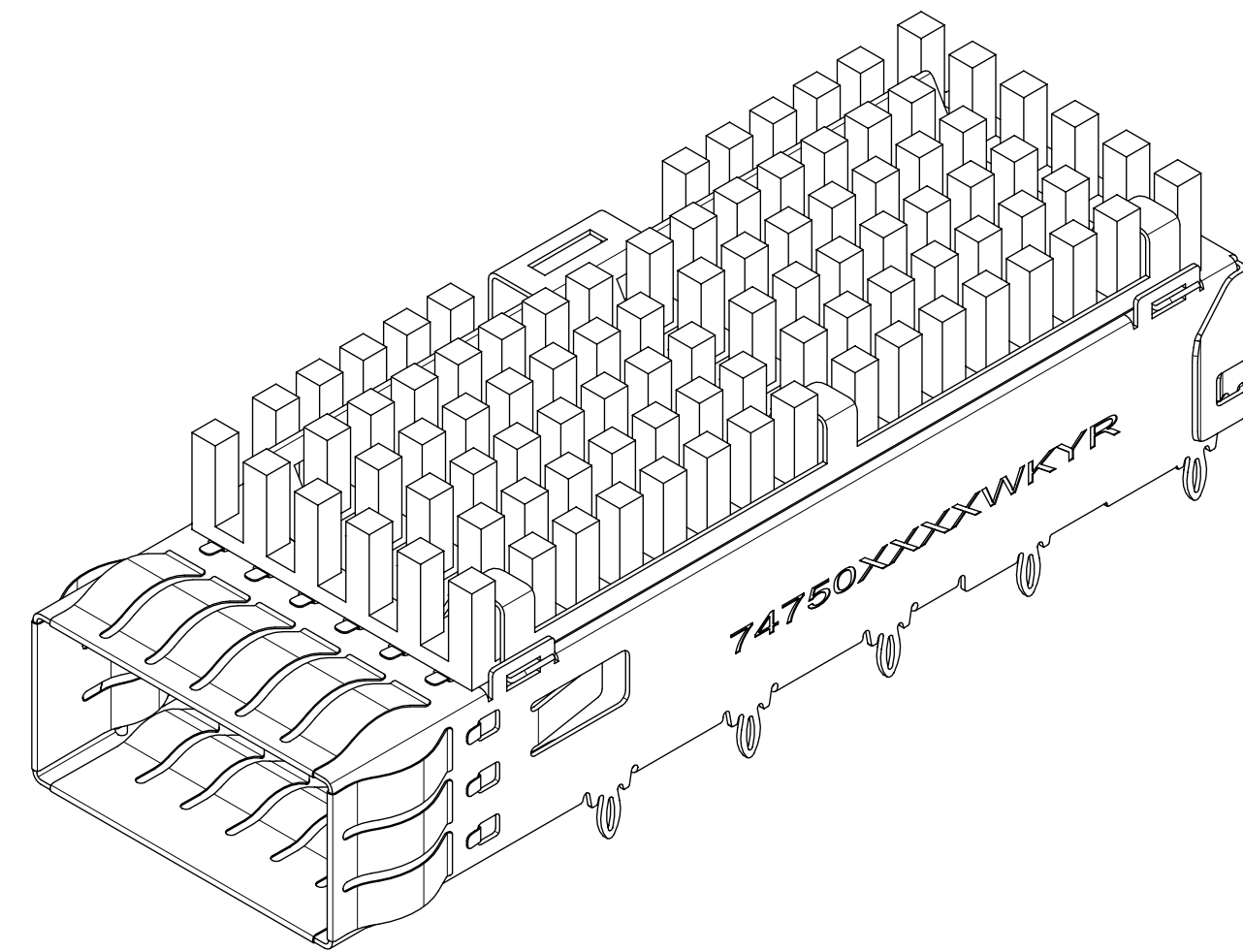
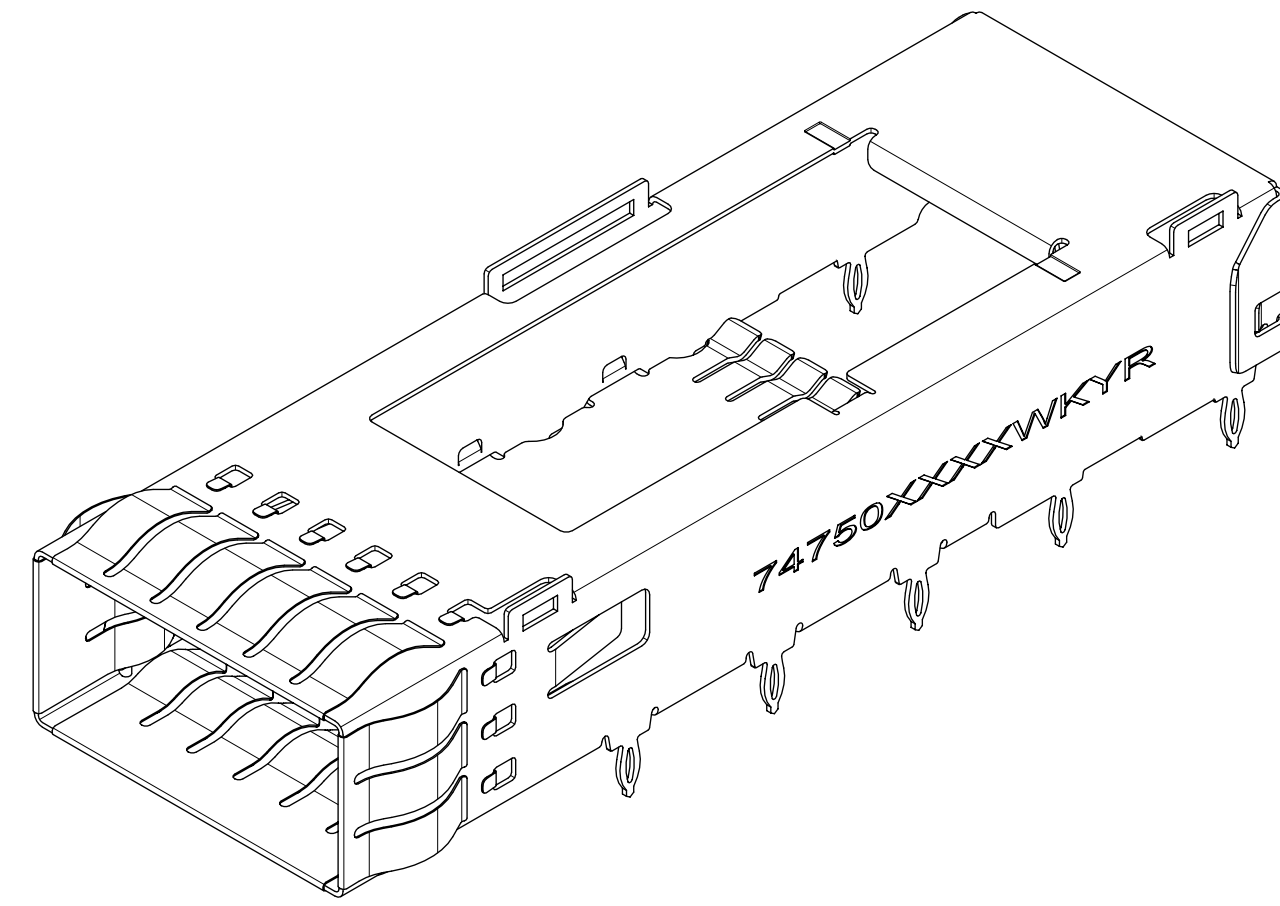


MOLEX P/N	# OF REAR LEGS PER PORT	LEG TYPE	DIM "A"	PLATING
747500021	2	PRESS FIT-EON	2.28	NICKEL
747500023	0	PRESS FIT-EON	2.28	NICKEL

THIS DRAWING CONTAINS INFORMATION THAT IS PROPRIETARY TO MOLEX ELECTRONIC TECHNOLOGIES, LLC AND SHOULD NOT BE USED WITHOUT WRITTEN PERMISSION AS PER PCN#509457

DIMENSION UNITS	SCALE	CURRENT REV DESC: OBSOLETE PART NUMBER AS PER PCN#509457				
mm	NTS					
GENERAL TOLERANCES (UNLESS SPECIFIED)		EC NO: 680890		QSFP+ 1X1 CAGE ASSEMBLY WITH SPRING FINGER TYPE PRODUCT CUSTOMER DRAWING		
ANGULAR TOL	± 1.0°	DRWN: SANTHN 2021/05/14		DOCUMENT NUMBER		
4 PLACES	±	CHK'D: GGA 2021/11/25		DOC TYPE DOC PART REVISION		
3 PLACES	±	APPR: GGA 2021/11/25		747500021 PSD ASY N1		
2 PLACES	± 0.13	INITIAL REVISION:		MATERIAL NUMBER		
1 PLACE	± 0.25	DRWN: SJKG 2016/06/23		CUSTOMER		
0 PLACES	±	APPR: RCHEN08 2017/06/05		GENERAL MARKET		
DRAFT WHERE APPLICABLE MUST REMAIN WITHIN DIMENSIONS		THIRD ANGLE PROJECTION	DRAWING	SERIES	SHEET NUMBER	
			D-SIZE	74750	5 OF 12	

PART NUMBER SELECTION (CONT)



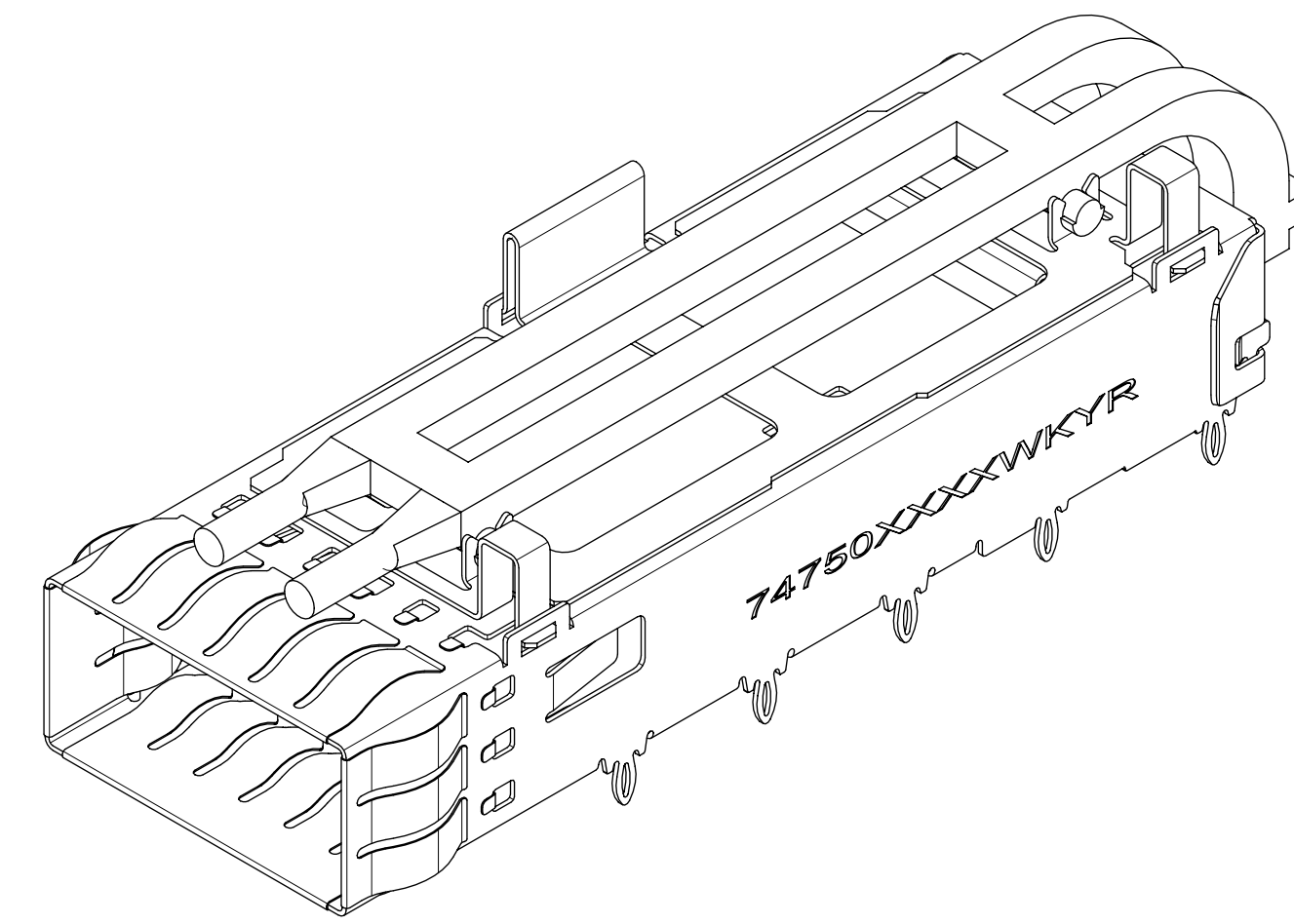
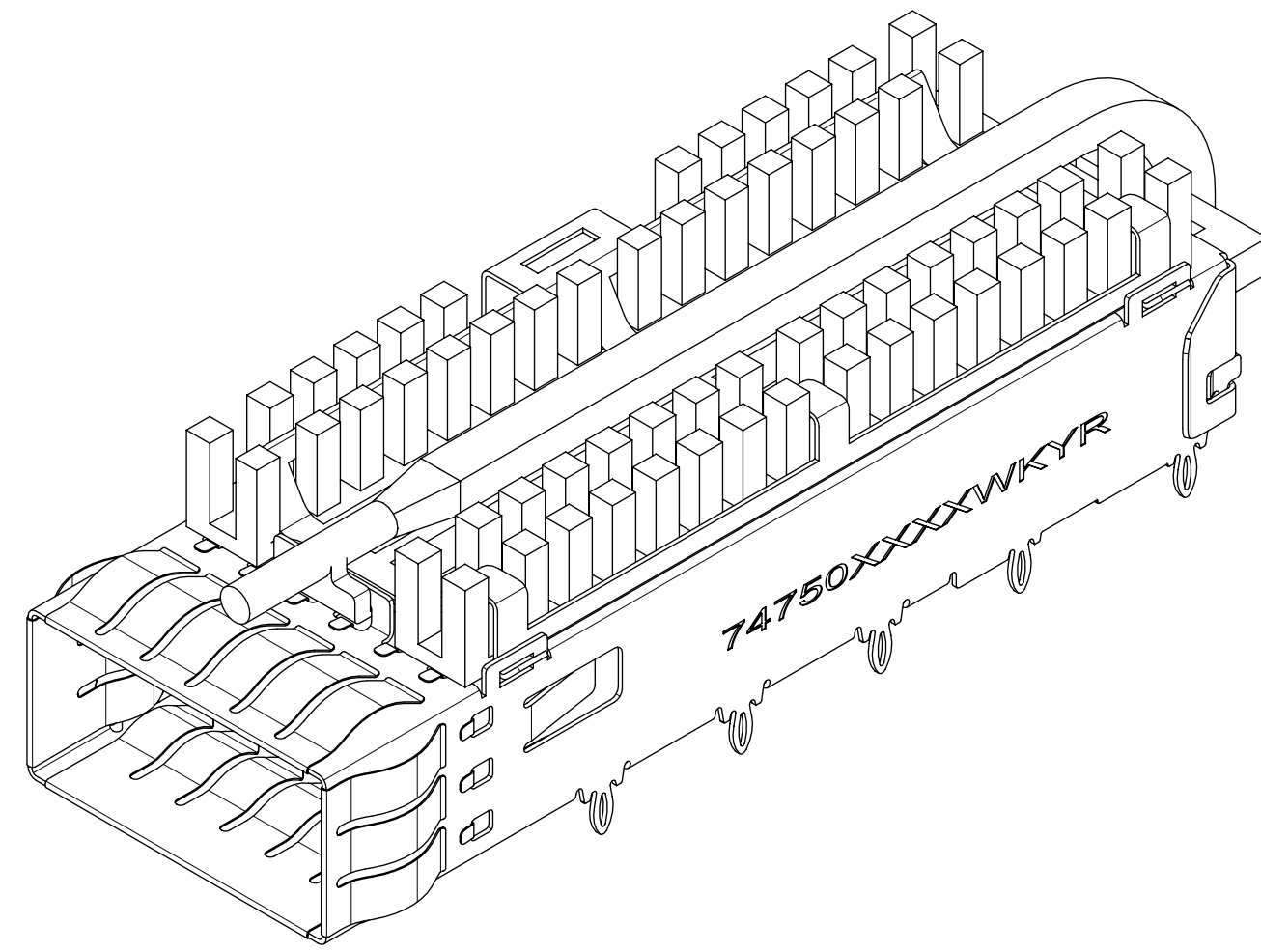
MOLEX P/N	# OF REAR LEGS PER PORT	LEG TYPE	DIM "A"	PLATING
747500012	2	PRESS FIT-EON	3.05	NICKEL

MOLEX P/N	HS	# OF REAR LEGS PER PORT	LEG TYPE	DIM "A"	PLATING
747500040	SAN	2	PRESS FIT-EON	2.28	NICKEL
747500044	PCI	2	PRESS FIT-EON	2.28	NICKEL
747500046	NET	2	PRESS FIT-EON	2.28	NICKEL

MOLEX P/N	HS	# OF REAR LEGS PER PORT	LEG TYPE	DIM "A"	PLATING
747500057	PCI	2	SOLDER POST	2.90	NICKEL

THIS DRAWING CONTAINS INFORMATION THAT IS PROPRIETARY TO MOLEX ELECTRONIC TECHNOLOGIES, LLC AND SHOULD NOT BE USED WITHOUT WRITTEN PERMISSION											
DIMENSION UNITS mm		SCALE NTS		CURRENT REV DESC: OBSOLETE PART NUMBER AS PER PCN#509457							
GENERAL TOLERANCES (UNLESS SPECIFIED)						EC NO: 680890					
ANGULAR TOL ± 1.0°		4 PLACES ±		DRWN: SANTHN		2021/11/25		PRODUCT CUSTOMER DRAWING DOCUMENT NUMBER: 747500021 DOC TYPE: PSD DOC PART: ASY REVISION: N1			
3 PLACES ±		2 PLACES ± 0.13		CHK'D: GGA		2021/11/25					
2 PLACES ± 0.13		1 PLACE ± 0.25		APPR: GGA		2021/11/25		INITIAL REVISION: DRWN: SJKG 2016/06/23 APPR: RCHEN08 2017/06/05			
1 PLACE ± 0.25		0 PLACES ±		DRAFT WHERE APPLICABLE MUST REMAIN WITHIN DIMENSIONS		THIRD ANGLE PROJECTION					
MATERIAL NUMBER				CUSTOMER				SHEET NUMBER			
				GENERAL MARKET				6 OF 12			

PART NUMBER SELECTION (CONT)



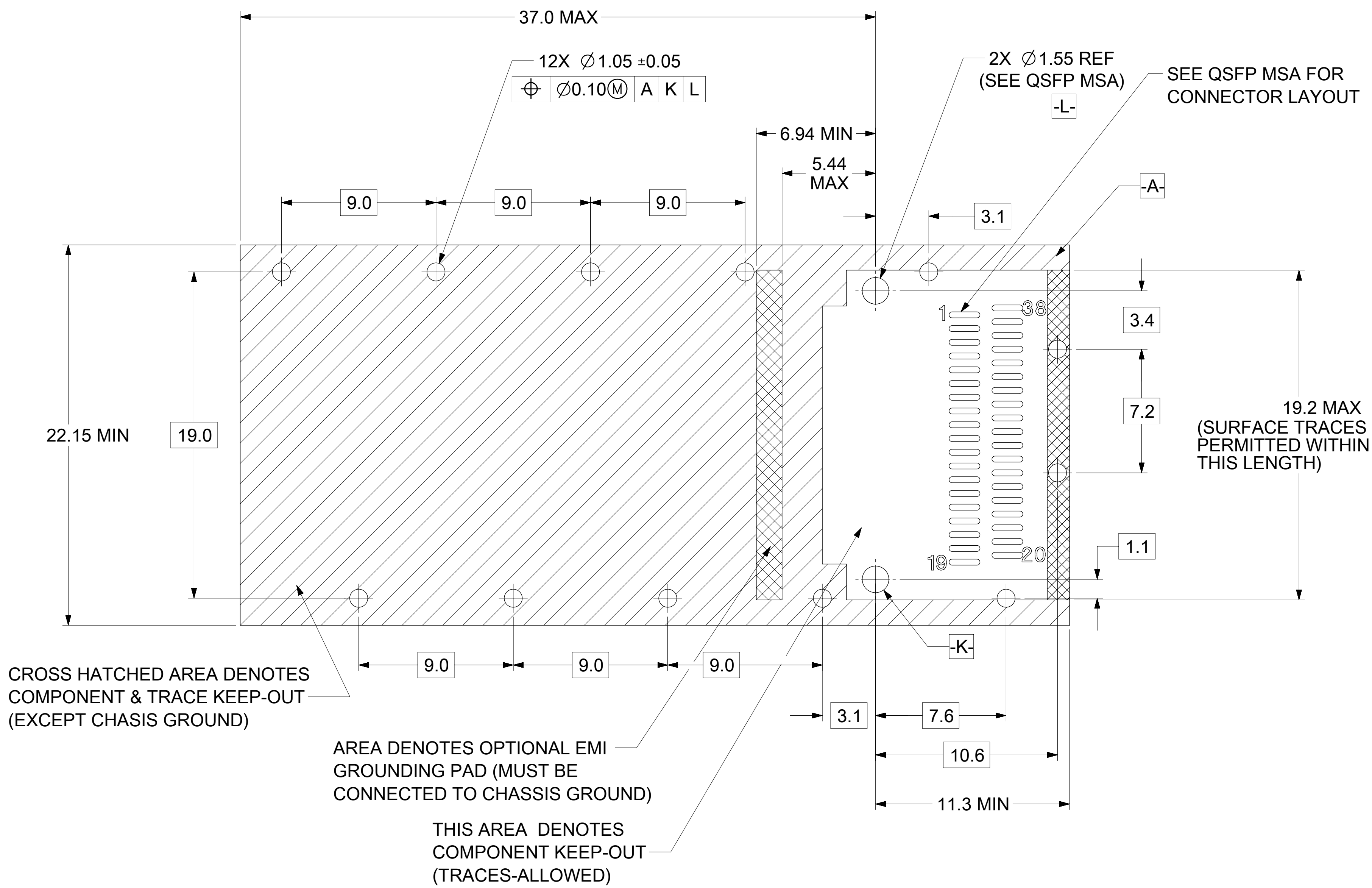
MOLEX P/N	MOLEX CAGE W/O HS ASSEMBLY P/N	LP SINGLE(747500403) DUAL(747500404)	TIP STYLE	HS	# OF REAR LEGS PER PORT	LEG TYPE	DIM "A"	DIM "B"	PLATING
747500082	747500092	DUAL	ROUND	SAN	2	PRESS FIT-EON	2.28	60.25	NICKEL
747500083	747500092	DUAL	ROUND	NET	2	PRESS FIT-EON	2.28	60.25	NICKEL
747500086	747500093	DUAL	ROUND	SAN	0	PRESS FIT-EON	2.28	60.25	NICKEL
747500088	N/A	DUAL	ROUND	NET	2	PRESS FIT-TD	2.28	60.25	NICKEL

MOLEX P/N	MOLEX CAGE W/O HS ASSEMBLY P/N	LIGHT PIPE ASSEMBLY P/N	TIP STYLE	# OF REAR LEGS PER PORT	LEG TYPE	DIM "A"	DIM "B"	PLATING
747501586	747500024	747500031	ROUND	2	PRESS FIT-EON	2.28	60.25	NICKEL

THIS DRAWING CONTAINS INFORMATION THAT IS PROPRIETARY TO MOLEX ELECTRONIC TECHNOLOGIES, LLC AND SHOULD NOT BE USED WITHOUT WRITTEN PERMISSION

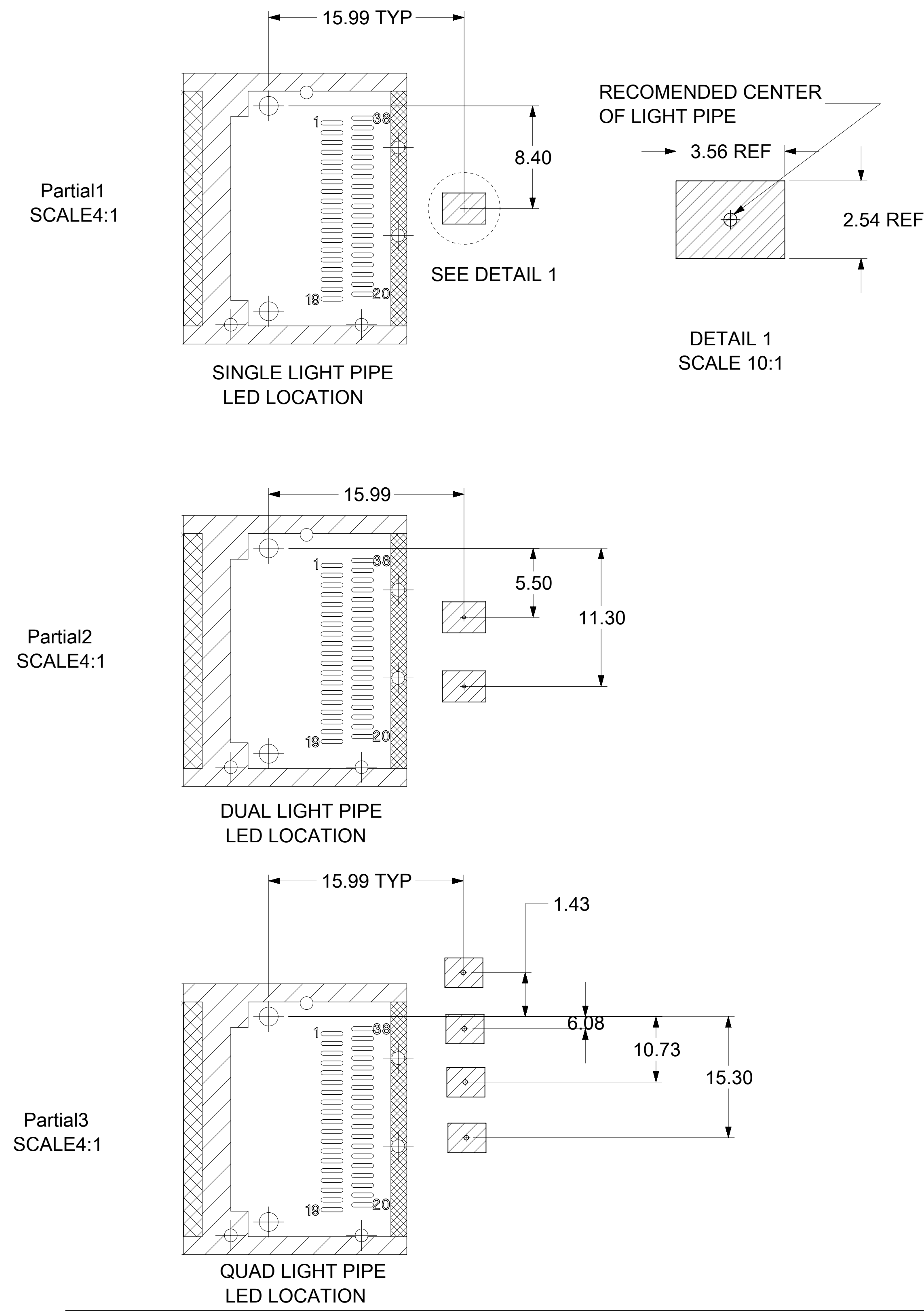
DIMENSION UNITS mm	SCALE NTS	CURRENT REV DESC: OBSOLETE PART NUMBER AS PER PCN#509457	molex		
GENERAL TOLERANCES (UNLESS SPECIFIED)					
ANGULAR TOL ± 1.0°		EC NO: 680890	QSFP+ 1X1 CAGE ASSEMBLY WITH SPRING FINGER TYPE		
4 PLACES ±		DRWN: SANTHN 2021/05/14	PRODUCT CUSTOMER DRAWING		
3 PLACES ±		CHK'D: GGA 2021/11/25	DOCUMENT NUMBER		
2 PLACES ± 0.13		APPR: GGA 2021/11/25	747500021		
1 PLACE ± 0.25		INITIAL REVISION:	DOC TYPE	DOC PART	REVISION
0 PLACES ±		DRWN: SJK 2016/06/23			
		APPR: RCHEN08 2017/06/05			
DRAFT WHERE APPLICABLE MUST REMAIN WITHIN DIMENSIONS	THIRD ANGLE PROJECTION	DRAWING	SERIES	MATERIAL NUMBER	CUSTOMER
		D-SIZE	74750		GENERAL MARKET
					SHEET NUMBER
					7 OF 12

PCB LAYOUT FOR SINGLE SIDED MOUNTING



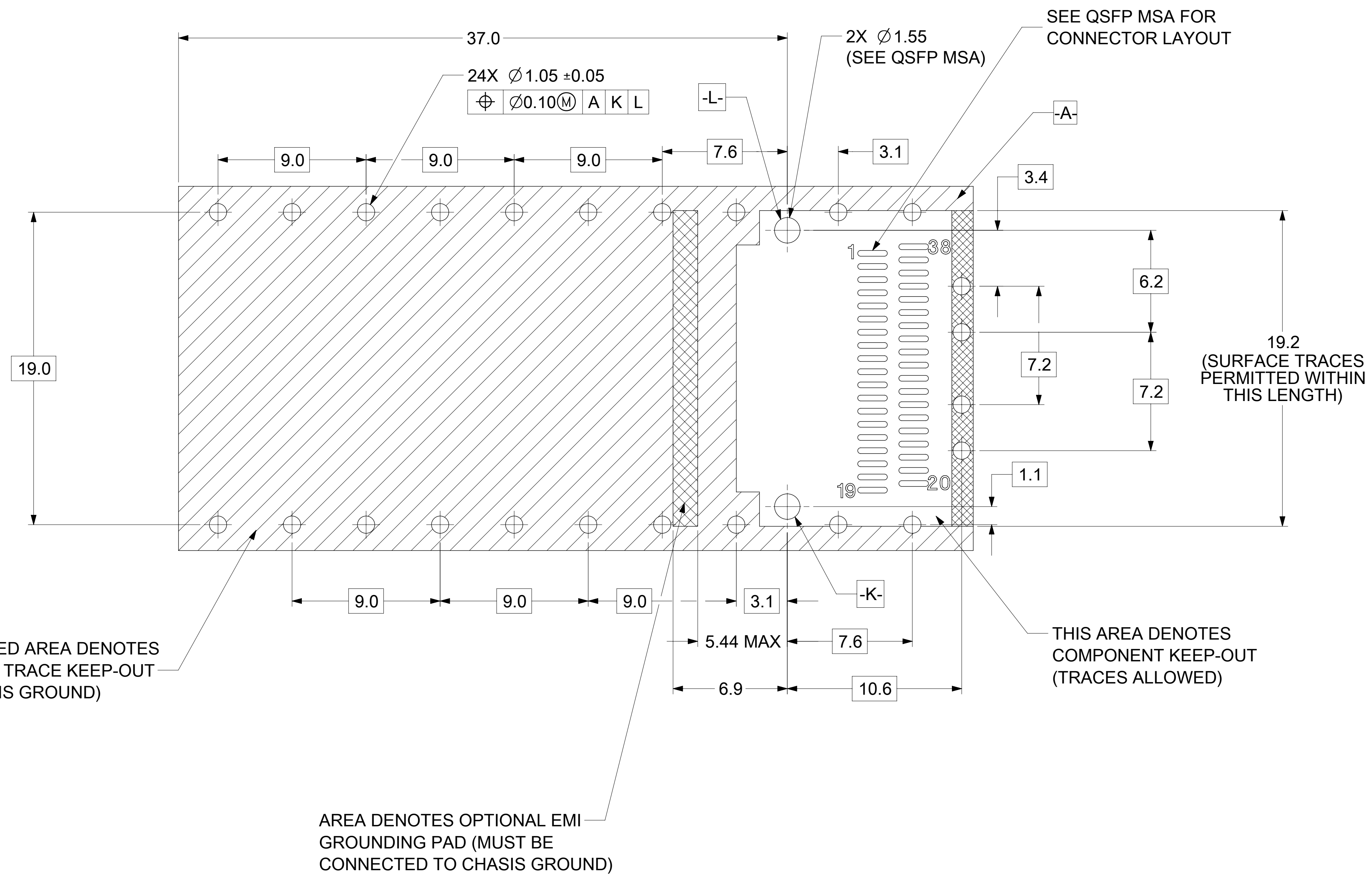
- NOTES:**
- DATUM -A- IS TOP SURFACE OF HOST BOARD PER MSA
 - FINISHED HOLE SIZE (AFTER PLATING)
 - DATUM -K- IS HOST BOARD THRU HOLE #1 TO ACCEPT CONNECTOR GUIDE POST PER MSA
 - DATUM -L- IS HOST BOARD THRU HOLE #2 TO ACCEPT CONNECTOR GUIDE POST PER MSA
 - SINGLE SIDED BOARD THICKNESS
MINIMUM: 1.57 [0.061"] FOR 3.05MM & 2.90MM LEGS.
MINIMUM: 1.44 [0.057"] FOR 2.28MM & 1.90MM LEGS.
 - LED SHOULD BE PLACED RELATIVE TO THE QSFP CONNECTOR POST HOLES.

HOST CONNECTOR DETAIL



THIS DRAWING CONTAINS INFORMATION THAT IS PROPRIETARY TO MOLEX ELECTRONIC TECHNOLOGIES, LLC AND SHOULD NOT BE USED WITHOUT WRITTEN PERMISSION									
DIMENSION UNITS	SCALE	CURRENT REV DESC: OBSOLETE PART NUMBER AS PER PCN#509457							
mm	NTS	<div style="text-align: center;">molex</div> <p>QSFP+ 1X1 CAGE ASSEMBLY WITH SPRING FINGER TYPE</p> <p>PRODUCT CUSTOMER DRAWING</p>							
GENERAL TOLERANCES (UNLESS SPECIFIED)									
ANGULAR TOL	± 1.0°								
4 PLACES	±								
3 PLACES	±								
2 PLACES	± 0.13								
1 PLACE	± 0.25	EC NO: 680890	2021/05/14	DRWN: SANTHN CHK'D: GGA APPR: GGA					
0 PLACES	±	DRWN: SJKG	2016/06/23						
DRAFT WHERE APPLICABLE MUST REMAIN WITHIN DIMENSIONS		APPR: RCHEN08	2017/06/05						
THIRD ANGLE PROJECTION		DRAWING		SERIES		MATERIAL NUMBER		CUSTOMER	
D		D-SIZE		74750		747500021		GENERAL MARKET	
SHEET NUMBER		8 OF 12		PSD		ASY		N1	

PCB LAYOUT FOR BELLY TO BELLY MOUNTING



NOTE:
SEE PREVIOUS SHEET FOR
HOST CONNECTOR DETAIL
AND LED LOCATION DETAILS

CROSS HATCHED AREA DENOTES
COMPONENT & TRACE KEEP-OUT
(EXCEPT CHASIS GROUND)

AREA DENOTES OPTIONAL EMI
GROUNDING PAD (MUST BE
CONNECTED TO CHASIS GROUND)

THIS AREA DENOTES
COMPONENT KEEP-OUT
(TRACES ALLOWED)

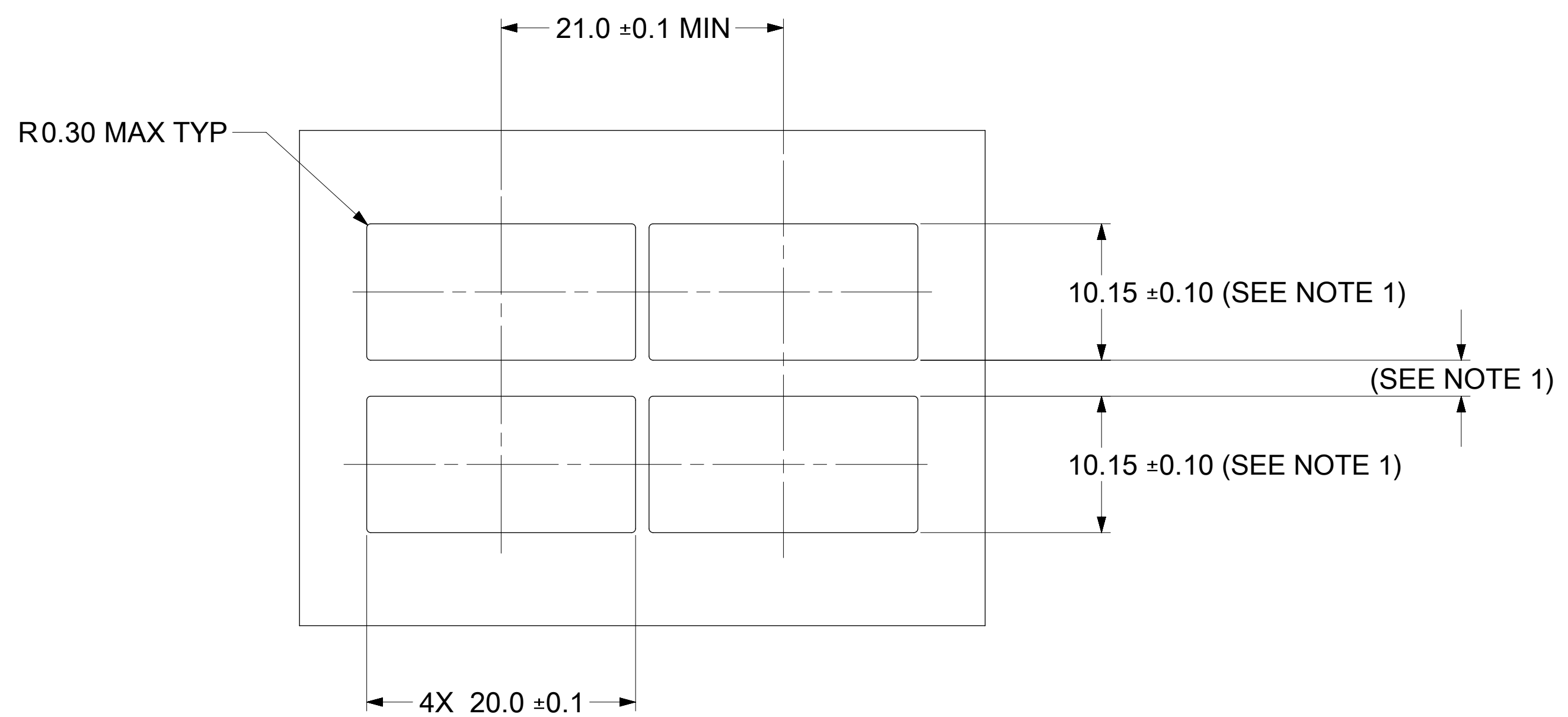
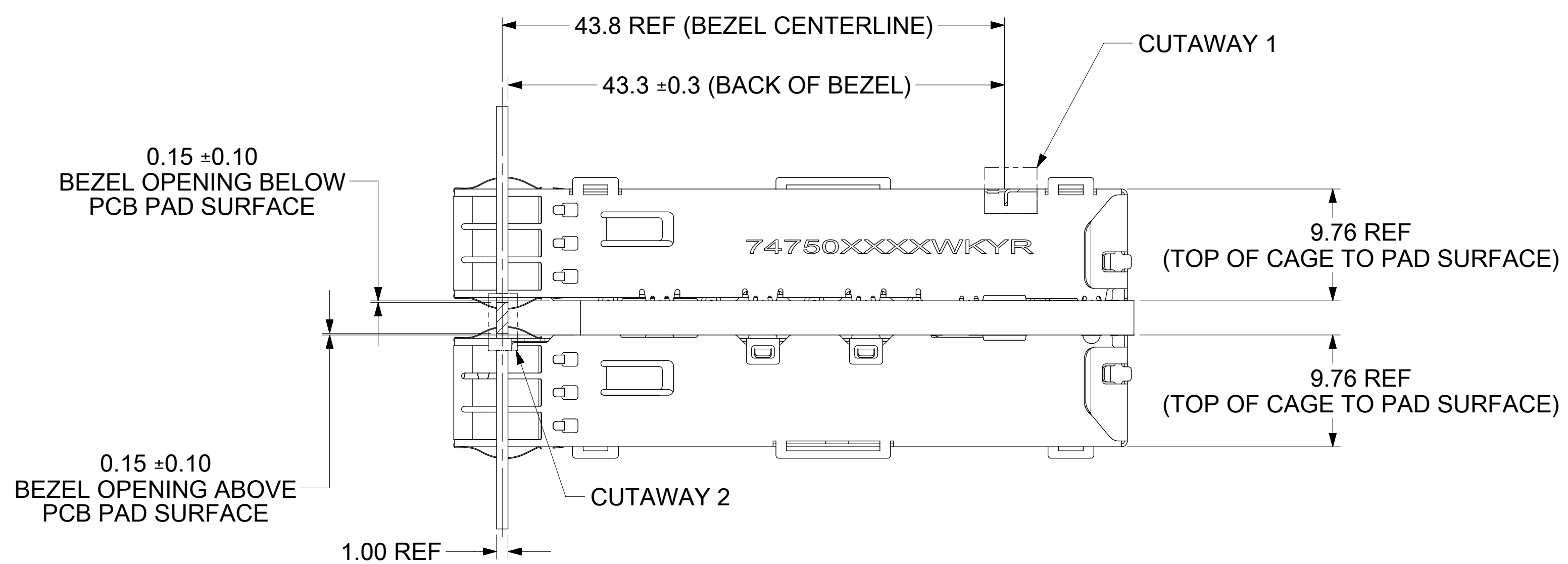
NOTES:

- DATUM -A- IS TOP SURFACE OF HOST BOARD PER MSA.
- FINISHED HOLE SIZE (AFTER PLATING).
- DATUM -K- IS HOST BOARD THRU HOLE #1 TO ACCEPT CONNECTOR GUIDE POST PER MSA.
- DATUM -L- IS HOST BOARD THRU HOLE #2 TO ACCEPT CONNECTOR GUIDE POST PER MSA.
- BELLY TO BELLY BOARD THICKNESS:
MINIMUM: 3.00 [0.118"] FOR 3.05MM LEGS.
MINIMUM: 2.07 [0.081"] FOR 2.28MM LEGS.
1.90MM AND 2.90MM SOLDER POST LEGS CANNOT BE MOUNTED BELLY TO BELLY

THIS DRAWING CONTAINS INFORMATION THAT IS PROPRIETARY TO MOLEX ELECTRONIC TECHNOLOGIES, LLC AND SHOULD NOT BE USED WITHOUT WRITTEN PERMISSION

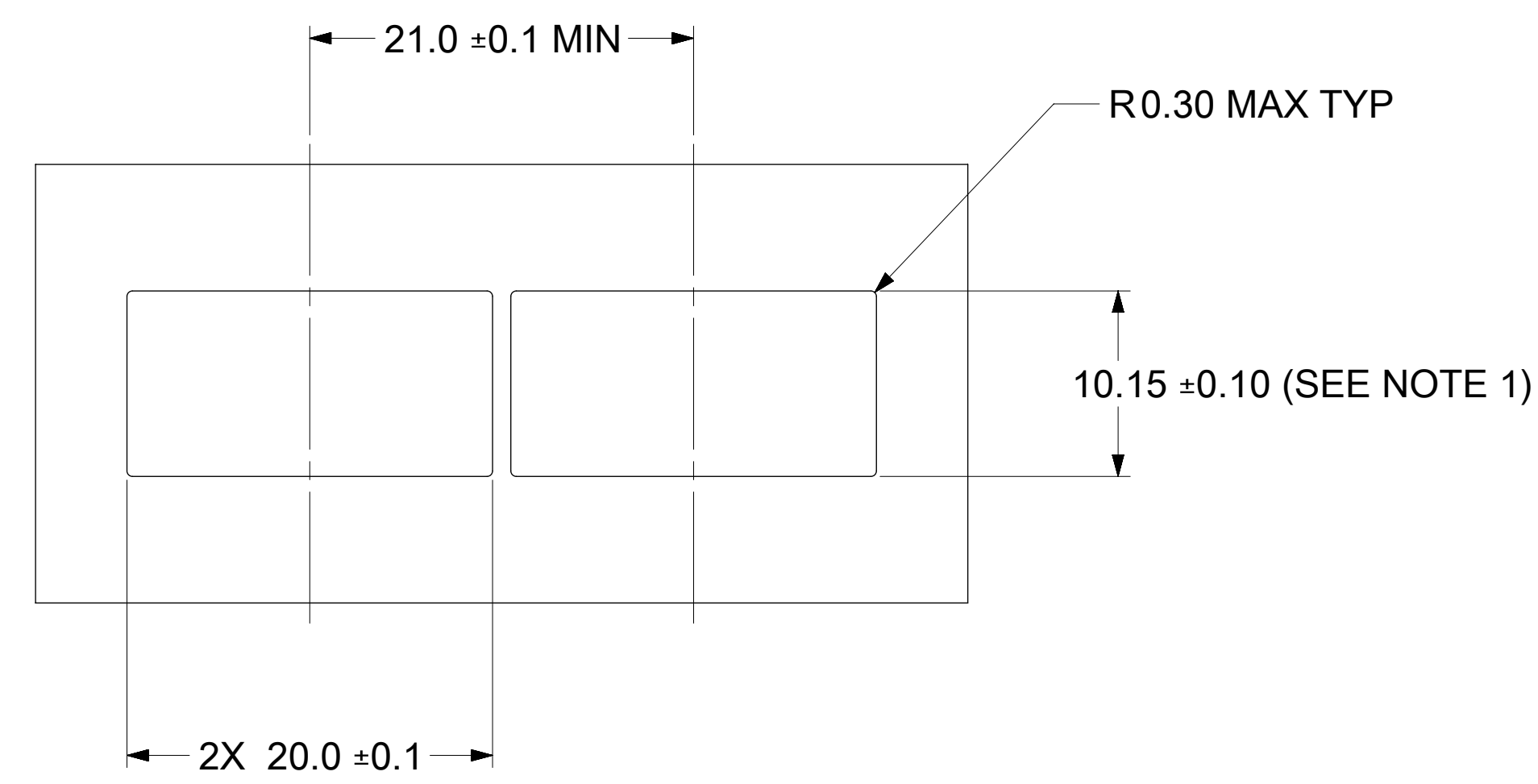
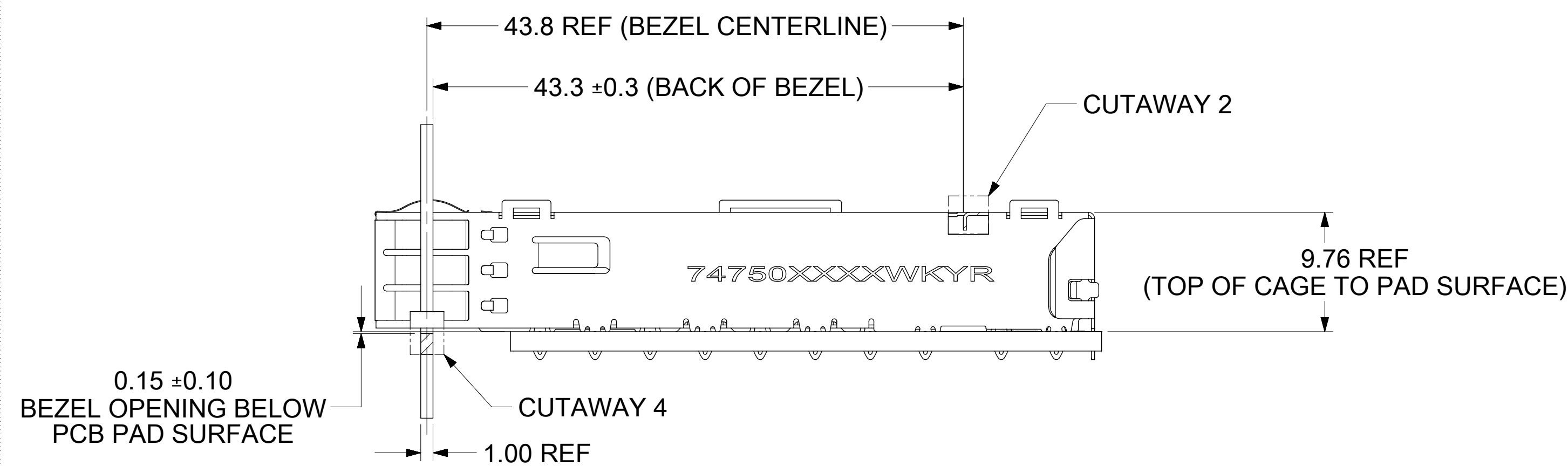
DIMENSION UNITS mm	SCALE NTS	CURRENT REV DESC: OBSOLETE PART NUMBER AS PER PCN#509457	molex			
GENERAL TOLERANCES (UNLESS SPECIFIED)						
ANGULAR TOL	± 1.0°	EC NO: 680890	PRODUCT CUSTOMER DRAWING			
4 PLACES	±	DRWN: SANTHN 2021/05/14	DOCUMENT NUMBER			
3 PLACES	±	CHK'D: GGA 2021/11/25	DOC TYPE DOC PART REVISION			
2 PLACES	± 0.13	APPR: GGA 2021/11/25	747500021 PSD ASY N1			
1 PLACE	± 0.25	INITIAL REVISION:	MATERIAL NUMBER CUSTOMER SHEET NUMBER			
0 PLACES	±	DRWN: SJKG 2016/06/23	74750 GENERAL MARKET 9 OF 12			
DRAFT WHERE APPLICABLE MUST REMAIN WITHIN DIMENSIONS		APPR: RCHEN08 2017/06/05	THIRD ANGLE PROJECTION			
			DRAWING SERIES			
			D-SIZE 74750			

BOARD POSITION AND BEZEL DIMENSIONS FOR BELLY TO BELLY MOUNTING



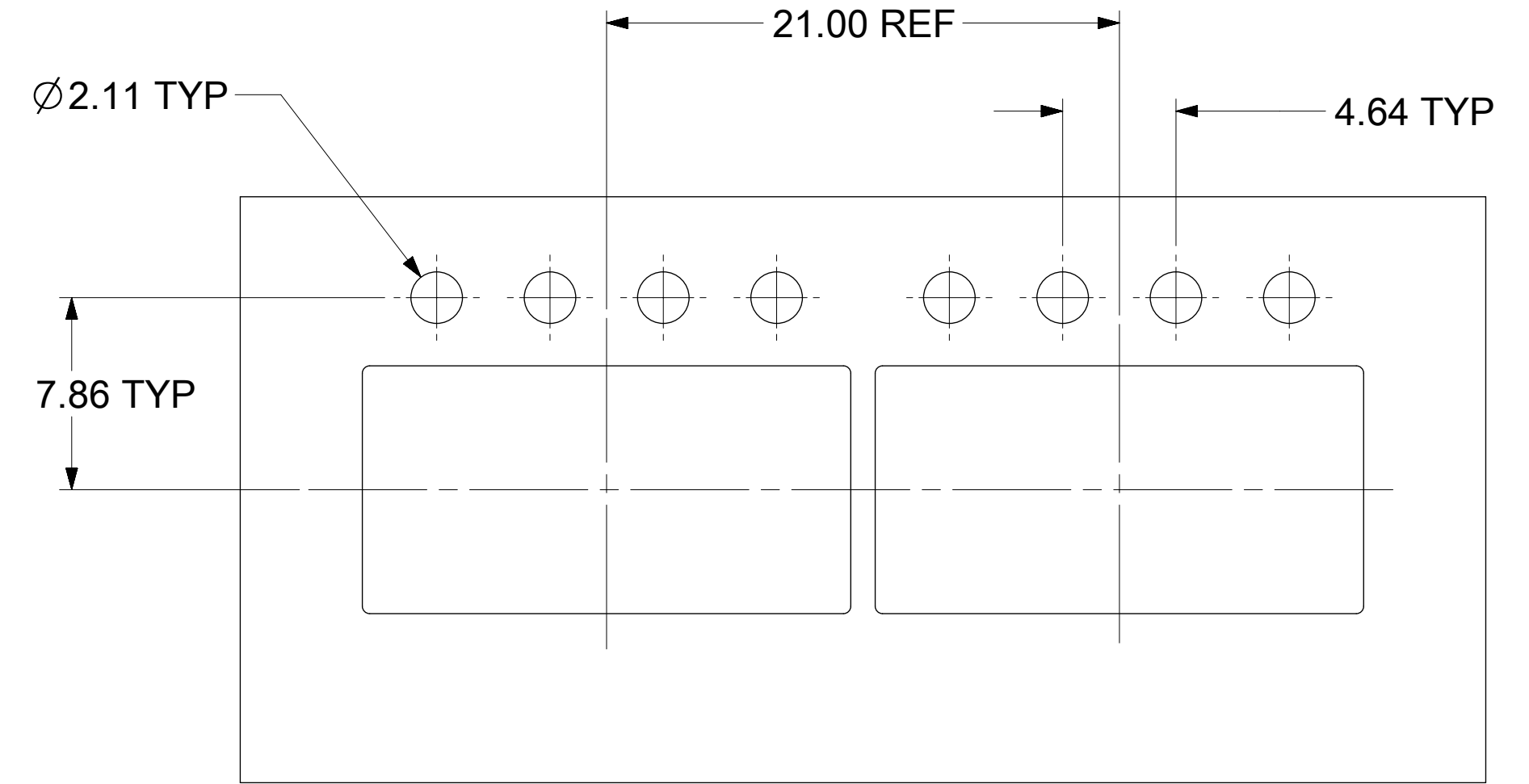
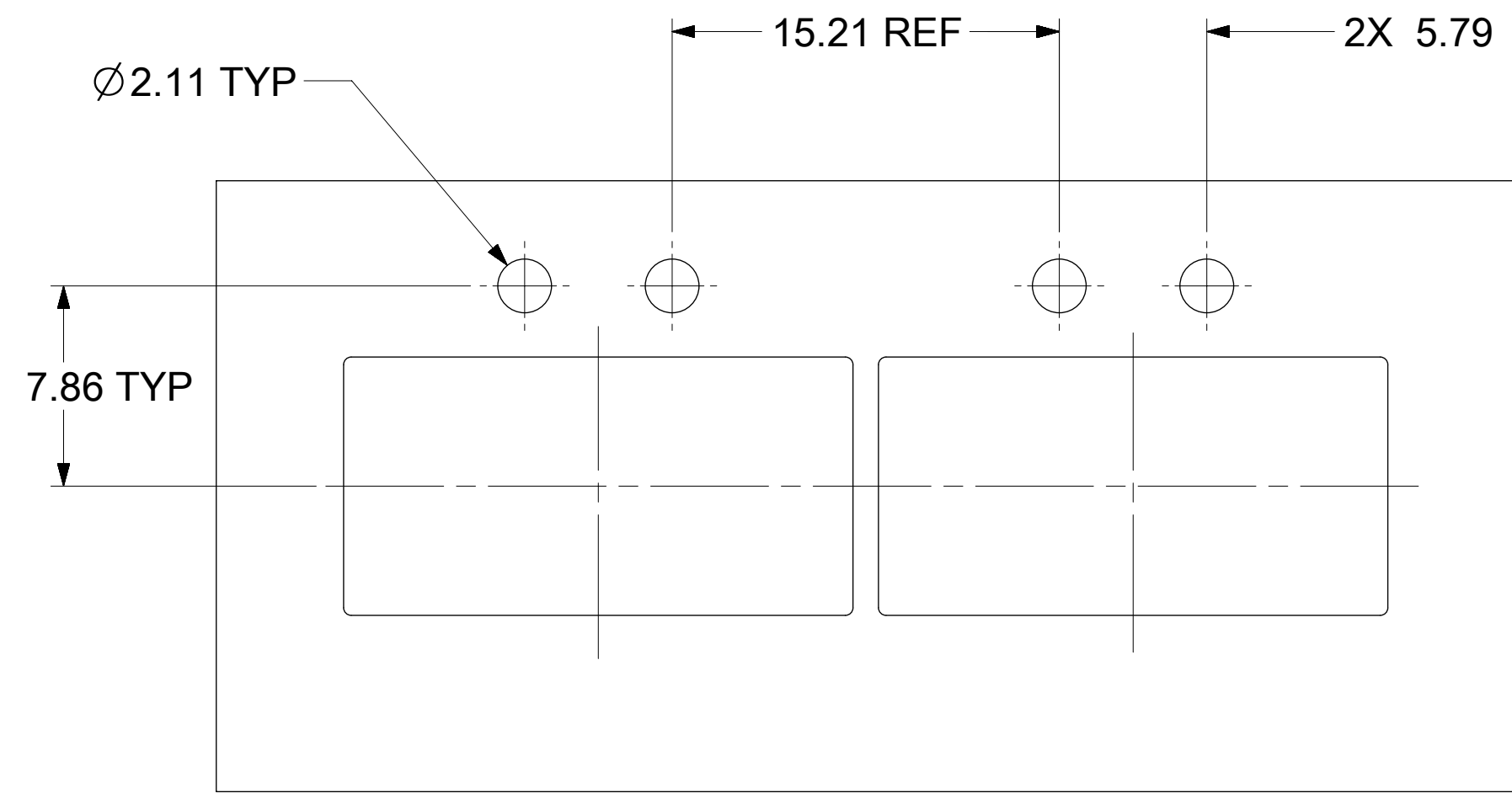
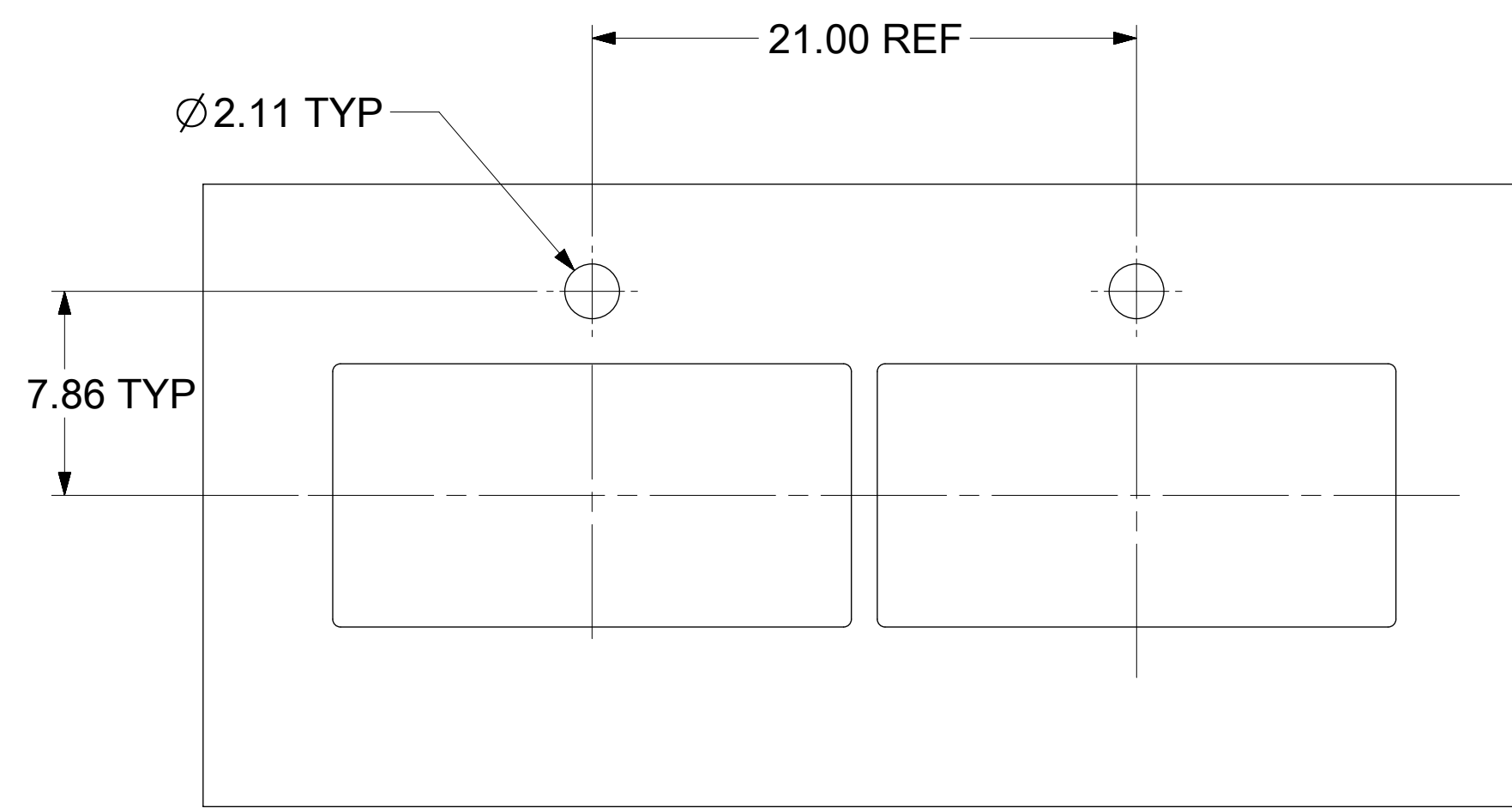
NOTE:
 1. PCB THICKNESS VARIATION MUST BE CONSIDERED WHEN DETERMING BEZEL OPENING, SIZE, AND LOCATION.
 2. SEE QSFP MSA SPECIFICATION FOR BEZEL LOCATION TOLERANCE.


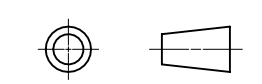
BOARD POSITION AND BEZEL DIMENSIONS FOR SINGLE SIDE MOUNTING



THIS DRAWING CONTAINS INFORMATION THAT IS PROPRIETARY TO MOLEX ELECTRONIC TECHNOLOGIES, LLC AND SHOULD NOT BE USED WITHOUT WRITTEN PERMISSION										
DIMENSION UNITS	SCALE	CURRENT REV DESC: OBSOLETE PART NUMBER AS PER PCN#509457			molex					
mm	NTS									
GENERAL TOLERANCES (UNLESS SPECIFIED)		EC NO: 680890			QSFPA 1X1 CAGE ASSEMBLY WITH SPRING FINGER TYPE					
ANGULAR TOL	± 1.0°	DRWN: SANTHN 2021/05/14			PRODUCT CUSTOMER DRAWING					
4 PLACES	±	CHK'D: GGA 2021/11/25			DOCUMENT NUMBER					
3 PLACES	±	APPR: GGA 2021/11/25			747500021					
2 PLACES	± 0.13	INITIAL REVISION:			DOC TYPE					
1 PLACE	± 0.25	DRWN: SJKG 2016/06/23			PSD					
0 PLACES	±	APPR: RCHEN08 2017/06/05			DOC PART					
DRAFT WHERE APPLICABLE MUST REMAIN WITHIN DIMENSIONS		THIRD ANGLE PROJECTION		DRAWING		SERIES		CUSTOMER		SHEET NUMBER
		D-SIZE		74750		GENERAL MARKET		10 OF 12		

LIGHT PIPE CUTOUT DIMENSIONS



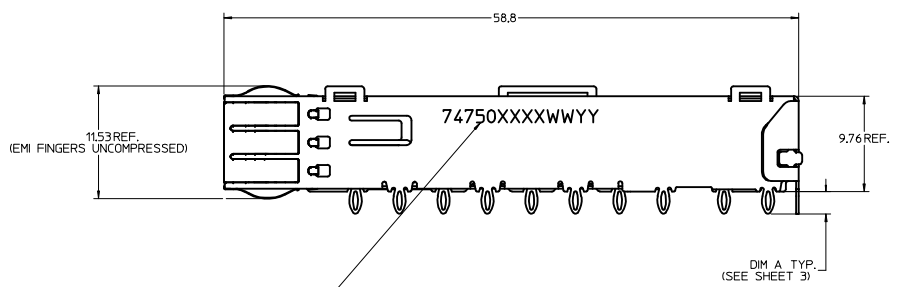
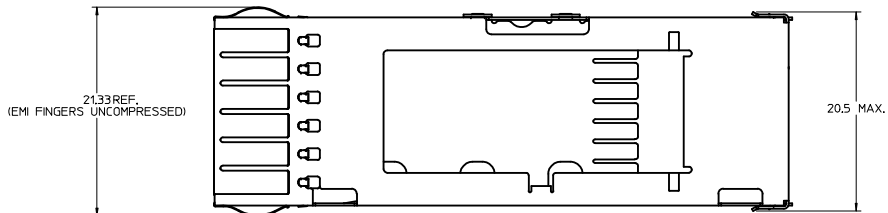
THIS DRAWING CONTAINS INFORMATION THAT IS PROPRIETARY TO MOLEX ELECTRONIC TECHNOLOGIES, LLC AND SHOULD NOT BE USED WITHOUT WRITTEN PERMISSION										
DIMENSION UNITS	SCALE	CURRENT REV DESC: OBSOLETE PART NUMBER AS PER PCN#509457								
mm	NTS									
GENERAL TOLERANCES (UNLESS SPECIFIED)					EC NO: 680890 DRWN: SANTHN 2021/05/14 CHK'D: GGA 2021/11/25 APPR: GGA 2021/11/25 INITIAL REVISION: DRWN: SJKG 2016/06/23 APPR: RCHEN08 2017/06/05					
ANGULAR TOL ± 1.0°										
4 PLACES ±										
3 PLACES ±										
2 PLACES ± 0.13										
1 PLACE ± 0.25					DOCUMENT NUMBER					
0 PLACES ±					747500021					
DRAFT WHERE APPLICABLE MUST REMAIN WITHIN DIMENSIONS					THIRD ANGLE PROJECTION		DRAWING		SERIES	
							D-SIZE		74750	
							MATERIAL NUMBER		CUSTOMER	
									GENERAL MARKET	
									SHEET NUMBER	
									11 OF 12	

REV	DATE	DESCRIPTION
A	2007/07/23	1) INITAL RELEASE
B	2007/08/06	1)CHANGED ALL TANGENT LINES FROM DASHED LINES TO SOLID LINES
C	2007/08/10	1) ADDED COMPONENT P/N COLUMN TO TABLE
		2) ADDED "COMPONENT" TO NOTE IN BOTTOM VIEW ON SHEET 1
		3) CHANGED TEXT IN MATERIAL NO. SECTION OF TITLE BLOCK TO READ "SEE TABLE"
D	2008/07/10	1) REMOVED COMMENTS FROM TABLE ON SHEET 1
		2) ADDED "HOLES OPTIONAL" NOTE TO PCB LAYOUT ON SHEET 2 AND SHEET 3
		3) ADDED 747500024 TO TABLE ON SHEET 1 AS WELL AS ISO VIEW
		4) UPDATED "COMPONENT PART NUMBER AND DATE CODE" NOTE ON SHEET 1
E	2008/12/16	1) 20.4 DIMENSION WAS 20.38 REF.
		2) 58.8 DIMENSION WAS 58.80 REF.
		3) 2.28 TYP. DIMENSION WAS 2.28 REF.
		4) 15.4 DIMENSION WAS 15.40 REF.
F	2009/04/13	1) REVISED COMPONENT P/N FOR MOLEX P/N 747500024 (CHANGED FROM 747540104 TO 747500104)
G	2010/10/29	1) 20.5 MAX DIMENSION WAS 20.4
		2) 19.2 MAX DIMENSION WAS 16.2 MAX
H	2011/04/05	1) ADDED PRINTED DATE CODE TO LEFT SIDE OF CAGE AND ASSOCIATED NOTES.
		2) ADDED CUTAWAY 1 AND CRITICAL TO FUNCTION DIMENSION 29.88 <input checked="" type="checkbox"/>
		3) REMOVED 74750 FROM BOTTOM OF CAGE, SHEET 1.
		4) UPDATED RoHS NOTE (NOTE 5) TO "LEAD FREE, NO RoHS EXEMPTIONS" ON SHEET 1.
		5) ADDED END VIEW, SHEET 1.
I	2012/04/13	1) ADDED 747500012 TO P/N TABLE, SHEET 1.
		2) UPDATED BELLY-TO-BELLY CAGE VIEW, SHEET 3.
		3) ADDED BELLY-TO-BELLY BEZEL AND DIMENSIONS, SHEET 3.
J	2013/01/10	1) ADDED 747500057 AND 747500058 INTO P/N TABLE, SHEET 3.
		2) REARRANGE EACH SHEET
K	2013/04/09	1) ADDED P/N 747500062 TO CHART ON PAGE 3.
		2) UPDATED DIMENSION 9.77 TO 9.76 BY CORRECTING PLACEMENT ON VIEWS SHEET 6.
L	2014/12/11	1) ADDED P/N 747501586 AND ISO VIEW TO SHEET 3.
M	2017/05/31	REMASTERED FROM SD-74750-0021 REV_L TO 747500021 PDD ASY. COMBINED SD-74750-0070, 0092, 1100, & 1140 WITH 747500021 PDD ASY. SHEET 6: G06: ADDED NEW FG 747500059 TO P/N TABLE
M1	2017/06/08	CHANGED THE DOCUMENT TYPE FROM RSD TO SD
N	2017/09/27	SHEET 6: G06: ADDED NEW P/N 747500063 TO P/N TABLE
N1	2021/05/14	REMOVED OBSOLETE P/N 747500059, 747500063, 747501580, 747501581, 747501582, 747501583, 747501584, 747501585, 747500080, 747500081, 747500084, 747500085, 747500087, 747500042, 747500059, 747500063, 747501140, 747501141, 747501142, 747501143, 747500056, 747501103, 747500058, 747501100, 747501101.

THIS DRAWING CONTAINS INFORMATION THAT IS PROPRIETARY TO MOLEX ELECTRONIC TECHNOLOGIES, LLC AND SHOULD NOT BE USED WITHOUT WRITTEN PERMISSION AS PER PCN#509457									
DIMENSION UNITS mm		SCALE NTS		CURRENT REV DESC: OBSOLETE PART NUMBER AS PER PCN#509457				molex	
GENERAL TOLERANCES (UNLESS SPECIFIED)				EC NO: 680890					
ANGULAR TOL ± 1.0°		4 PLACES ±		DRWN: SANTHN 2021/05/14		QSFP+ 1X1 CAGE ASSEMBLY WITH SPRING FINGER TYPE			
3 PLACES ±		2 PLACES ± 0.13		CHK'D: GGA 2021/11/25		PRODUCT CUSTOMER DRAWING			
1 PLACE ± 0.25		0 PLACES ±		APPR: GGA 2021/11/25		INITIAL REVISION:			
DRAFT WHERE APPLICABLE MUST REMAIN WITHIN DIMENSIONS		THIRD ANGLE PROJECTION		DRWN: SJKG 2016/06/23		DOCUMENT NUMBER 747500021		DOC TYPE PSD	
DRAWING D-SIZE		SERIES 74750		APPR: RCHEN08 2017/06/05		DOC PART ASY		REVISION N1	
MATERIAL NUMBER 74750				CUSTOMER GENERAL MARKET				SHEET NUMBER 12 OF 12	

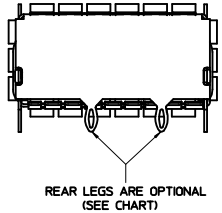
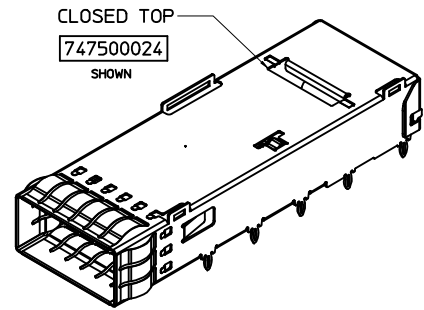
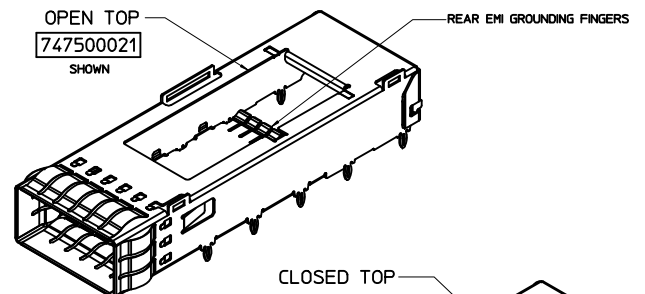
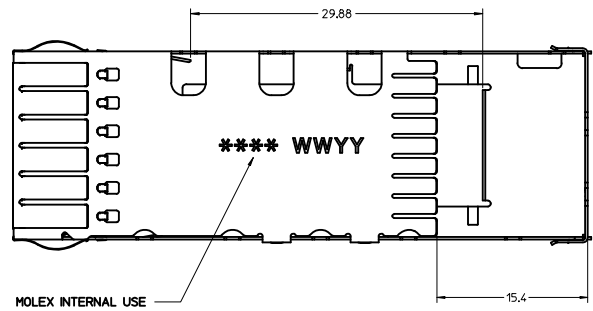
CAGE DETAILS

(APPLIES TO ALL CAGES IN THIS DRAWING)



PART NO. AND WEEK/YEAR DATE CODE TO BE PRINTED ON SIDE OF COMPLETED CAGE ASSEMBLY AS SHOWN.

WEEK/YEAR DATE CODE TABLE	
WW	01 THRU 52 EXAMPLE: 01 = FIRST WEEK OF YEAR 52 = LAST WEEK OF YEAR
YY	11, 12, 13 ETC. EXAMPLE: YEAR 2013 = 13

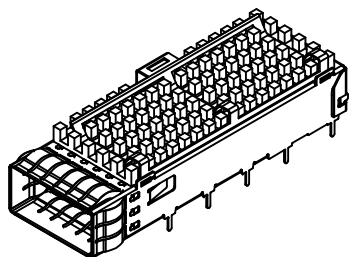
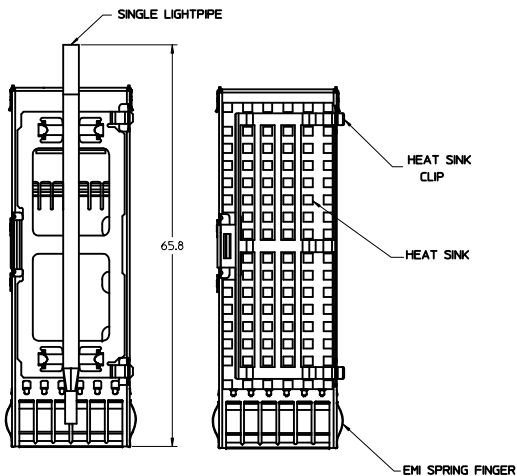


NOTES:

- PRESS FIT LEGS 2.28 / 3.05 mm LONG
- SOLDER POST LEGS 1.90 / 2.90 mm LONG
- SINGLE SIDED BOARD THICKNESS
NOMINAL: 1.60
MINIMUM: 1.44
BELLY TO BELLY BOARD THICKNESS
NOMINAL: 2.30
MINIMUM: 2.07
- MATERIAL: COPPER ALLOY (PLATED PRIOR TO CUTTING AND FORMING)
CAGE: 0.25 mm THICK COPPER ALLOY, NICKEL PLATED OR TIN
SPRING FINGER: 0.08 mm THICK COPPER ALLOY, NICKEL PLATED
HEAT SINK CLIP: STAINLESS STEEL
LIGHT PIPES: POLYCARBONATE (UL 94-V0 RATED)
HEATSINKS: ANNOXIDIZED ALUMINUM
- REFERENCE DOCUMENTS: PRODUCT SPECIFICATION: QSFP MSA
- CUSTOM HEATSHINKS AVAILABLE UPON REQUEST
- QSFP+ ASSEMBLES ALSO AVAILABLE IN 1X2 (74767 SERIES), 1X3 (74768 SERIES), 1X4 (74769 SERIES) AND 1X6 (74771 SERIES).
- PACKAGED IN TRAY.
- NO RoHS EXEMPTIONS.

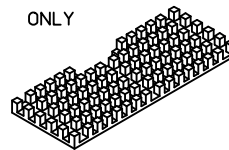
SEE REVISION SHEET EC NO: CPG2015-1999 DRAWN: ERWIN 2014/10/13 CHECKED: GARBELLA 2014/10/13 APPROVED: BREED 2014/10/17 REV DESCRIPTION	QUALITY SYMBOLS ∇=0 ∇=0 ∇=0		GENERAL TOLERANCES (UNLESS SPECIFIED) mm INCH 4 PLACES ± --- ± --- 3 PLACES ± --- ± --- 2 PLACES ± 0.13 ± --- 1 PLACE ± 0.25 ± --- 0 PLACE ± --- ± --- ANGULAR ± 1 ° DRAFT WHERE APPLICABLE MUST REMAIN WITHIN DIMENSIONS		DIMENSION STYLE MM ONLY DRAWN BY DATE CHIRSCHY 2007/07/23 CHECKED BY DATE BRUSSELL 2007/07/23 APPROVED BY DATE RMAHOOD 2010/11/01 MATERIAL NO. SEE SHEET 3 DOCUMENT NO. SD-74750-0021		SCALE 4:1 DESIGN UNITS METRIC THIRD ANGLE PROJECTION TITLE QSFP+ CAGE ASSEMBLY WITH SPRING FINGERS SHEET NO. 1 OF 8	
	MOLEX INTERNAL USE		MOLEX		SD-74750-0021		SHEET NO. 1 OF 8	
	THIS DRAWING CONTAINS INFORMATION THAT IS PROPRIETARY TO MOLEX INCORPORATED AND SHOULD NOT BE USED WITHOUT WRITTEN PERMISSION							

CAGE ASSEMBLY OPTIONS

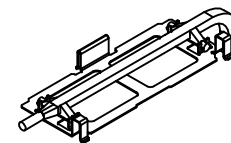


HEATSHINK AND LIGHT PIPE OPTIONS

HEAT SINK ONLY

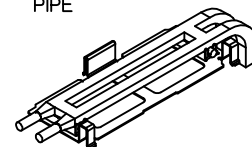


SINGLE LIGHT PIPE



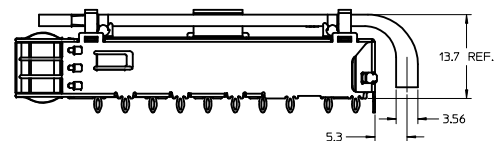
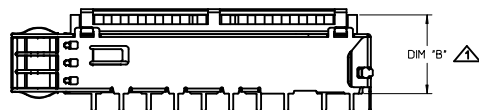
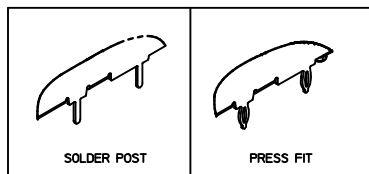
MOLEX P/N: 747500030

DUAL LIGHT PIPE

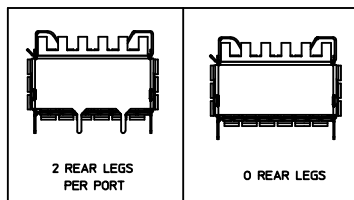


MOLEX P/N: 747500031

LEG TYPE OPTIONS



REAR LEG OPTIONS



HEATSINK HEIGHT OPTIONS

OVERALL HEATSINK HEIGHT	DIM B	TOL
PCI	13.7	+0.25
SAN	16.0	-0.73
NET	23.0	

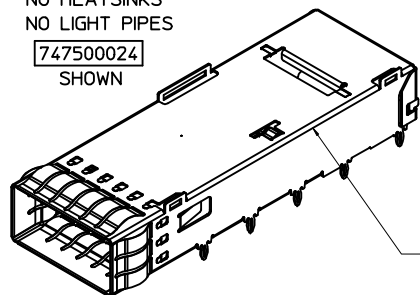
HEIGHT OF HEATSINK WITH MODULE INSERTED.
DIMENSION MAY BE LESS DUE TO MODULE AND HEATSINK VARIATIONS.

SEE REVISION SHEET EEC NO: CPG2015-1999 DRAWN: ERWIN 2014/10/13 CHKD: GABRIELLA 2014/10/13 APPR: BREED 2014/10/17	QUALITY SYMBOLS	GENERAL TOLERANCES (UNLESS SPECIFIED)	DIMENSION STYLE	SCALE	DESIGN UNITS	THIRD ANGLE PROJECTION
	▽=0	4 PLACES ± --- ± ---	MM ONLY	2.5:1	METRIC	
	▽=0	3 PLACES ± --- ± ---				
	▽=0	2 PLACES ± 0.13 ± ---				
		1 PLACE ± 0.25 ± ---				
		0 PLACE ± --- ± ---				
		ANGULAR ± 1 °				
		DRAFT WHERE APPLICABLE MUST REMAIN WITHIN DIMENSIONS				
			DRAWN BY	DATE	TITLE	
			CHIRSCHY	2007/07/23	QSFP+ CAGE ASSEMBLY WITH SPRING FINGERS	
			CHECKED BY	DATE		
			BRUSSELL	2007/07/23		
			APPROVED BY	DATE		
			RAHMOOD	2010/11/01		
			MATERIAL NO.	DOCUMENT NO.		
			SEE SHEET 3	SD-74750-0021		
			THIS DRAWING CONTAINS INFORMATION THAT IS PROPRIETARY TO MOLEX INCORPORATED AND SHOULD NOT BE USED WITHOUT WRITTEN PERMISSION			SHEET NO.
						2 OF 8

PART NUMBER SELECTION

NO HEATSINKS
NO LIGHT PIPES

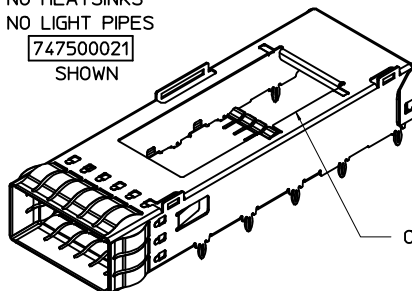
747500024
SHOWN



CLOSED TOP

NO HEATSINKS
NO LIGHT PIPES

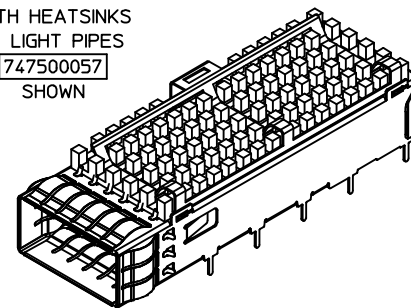
747500021
SHOWN



OPEN TOP

WITH HEATSINKS
NO LIGHT PIPES

747500057
SHOWN



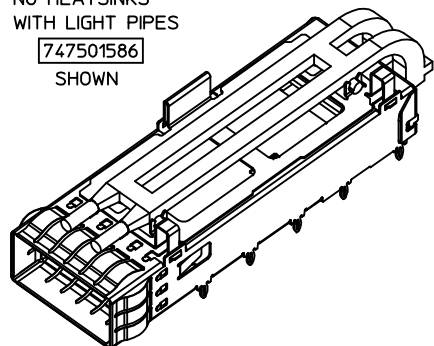
MOLEX P/N		# OF REAR LEGS PER PORT	DIM A	PLATING
LEG TYPE PRESS FIT	LEG TYPE SOLDER POST			
747500024	---	2	2.28	NICKEL
---	747500051	2	1.9	NICKEL
---	747500053	2	1.9	MATTE TIN
---	747500056	2	1.9	BRIGHT TIN

MOLEX P/N		# OF REAR LEGS PER PORT	DIM A	PLATING
LEG TYPE PRESS FIT	LEG TYPE SOLDER POST			
747500012	---	2	3.05	NICKEL
747500021	---	2	2.28	NICKEL
747500023	---	0	2.28	NICKEL
---	747500058	2	2.90	NICKEL
---	747500062 *	2	2.90	NICKEL

MOLEX P/N		# OF REAR LEGS PER PORT	DIM A	DIM B	PLATING
LEG TYPE PRESS FIT	LEG TYPE SOLDER POST				
---	747500057	2	2.9	13.7	NICKEL
747500040	---	2	2.28	16.0	NICKEL
747500042	---	0	2.28	16.0	NICKEL
747500044	---	2	2.28	13.7	NICKEL
747500046	---	2	2.28	23.0	NICKEL

NO HEATSINKS
WITH LIGHT PIPES

747501586
SHOWN



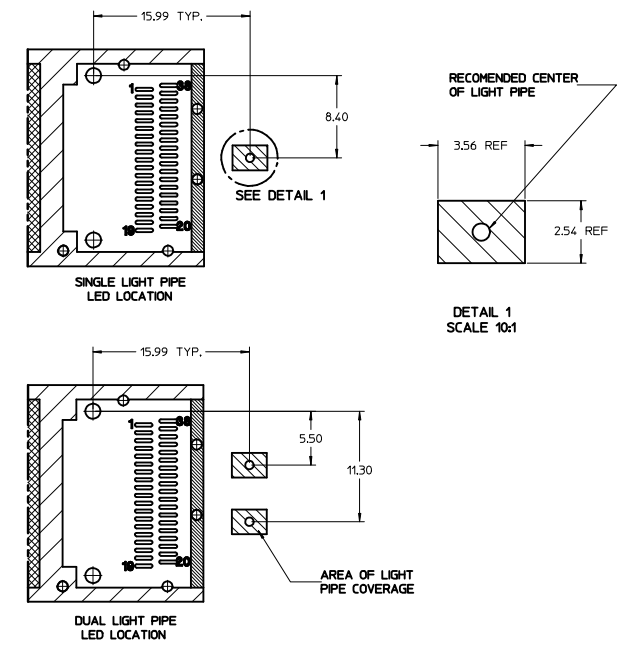
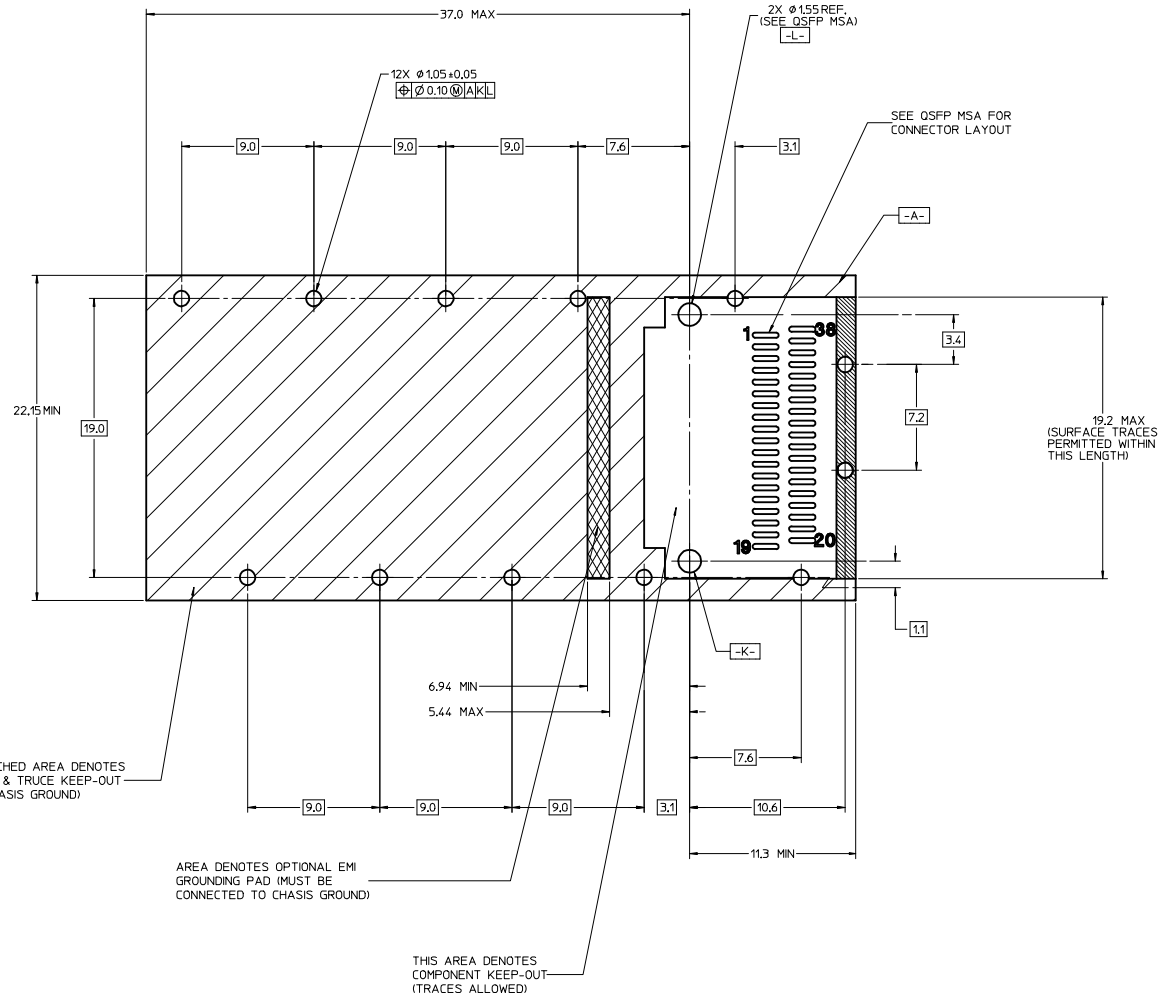
MOLEX ASSEMBLY P/N	MOLEX P/N		LIGHT PIPE ASSEMBLY P/N	#OF REAR LEGS PER PORT	DIM A	PLATING
	LEG TYPE PRESS FIT	LEG TYPE SOLDER POST				
747501586	747500024	---	747500031	2	2.28	NICKEL

* HEATSINK/LIGHT PIPE CLIP FEATURE REMOVED.

SEE REVISION SHEET IEC NO. CPG2015-1999 DRAWN: LERMIN 2014/10/13 CHECKED: GARDELLA 2014/10/13 APPR: BREED 2014/10/17	QUALITY SYMBOLS ∇=0 ∇=0 ∇=0	GENERAL TOLERANCES (UNLESS SPECIFIED)		DIMENSION STYLE MM ONLY		SCALE 3:1	DESIGN UNITS METRIC	THIRD ANGLE PROJECTION	
		4 PLACES ± mm ± INCH		DRAWN BY CHIRSCHY		DATE 2007/07/23		TITLE QSFP+ CAGE ASSEMBLY WITH SPRING FINGERS molex MATERIAL NO. SEE SHEET 3 DOCUMENT NO. SD-74750-0021 SHEET NO. 3 OF 8	
		3 PLACES ± 0.13 ± ---		CHECKED BY BRUSSELL		DATE 2007/07/23			
		2 PLACES ± 0.25 ± ---		APPROVED BY RMAHMOOD		DATE 2010/11/01			
1 PLACE ± --- ± ---		0 PLACE ± --- ± ---		ANGULAR ± 1°					
DRAFT WHERE APPLICABLE MUST REMAIN WITHIN DIMENSIONS									

PCB LAYOUT FOR SINGLE SIDED APPLICATIONS

FOR CAGE ASSEMBLIES WITH LIGHT PIPES

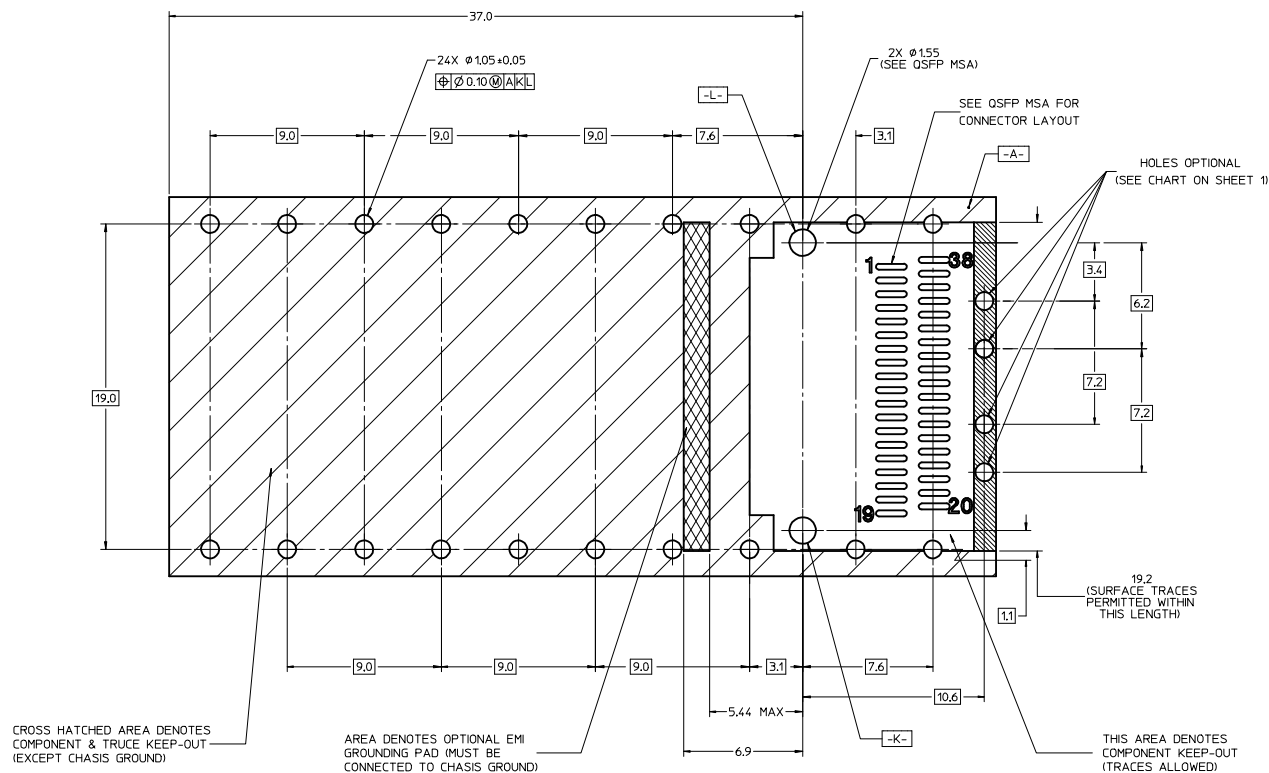


NOTES:

1. DATUM -A- IS TOP SURFACE OF HOST BOARD PER MSA
2. FINISHED HOLE SIZE (AFTER PLATING)
3. DATUM -K- IS HOST BOARD THRU HOLE #1 TO ACCEPT CONNECTOR GUIDE POST PER MSA
4. DATUM -L- IS HOST BOARD THRU HOLE #2 TO ACCEPT CONNECTOR GUIDE POST PER MSA

SEE REVISION SHEET EC NO: CPG2015-1999 DRAWN BY: LERMIN 2014/10/13 CHYKOBARDILLA 2014/10/13 APPROVED BY: BREED 2014/10/17	QUALITY SYMBOLS ∇=0 ∇=0 ∇=0		GENERAL TOLERANCES (UNLESS SPECIFIED) <table border="1"> <tr> <th></th> <th>mm</th> <th>INCH</th> </tr> <tr> <td>4 PLACES</td> <td>±0.13</td> <td>±0.005</td> </tr> <tr> <td>3 PLACES</td> <td>±0.25</td> <td>±0.010</td> </tr> <tr> <td>2 PLACES</td> <td>±0.50</td> <td>±0.020</td> </tr> <tr> <td>1 PLACE</td> <td>±1.00</td> <td>±0.040</td> </tr> <tr> <td>0 PLACE</td> <td>±1.50</td> <td>±0.060</td> </tr> </table>			mm	INCH	4 PLACES	±0.13	±0.005	3 PLACES	±0.25	±0.010	2 PLACES	±0.50	±0.020	1 PLACE	±1.00	±0.040	0 PLACE	±1.50	±0.060	DIMENSION STYLE MM ONLY		SCALE 1:1		DESIGN UNITS METRIC		THIRD ANGLE PROJECTION	
		mm	INCH																											
	4 PLACES	±0.13	±0.005																											
	3 PLACES	±0.25	±0.010																											
2 PLACES	±0.50	±0.020																												
1 PLACE	±1.00	±0.040																												
0 PLACE	±1.50	±0.060																												
DRAFT WHERE APPLICABLE MUST REMAIN WITHIN DIMENSIONS			ANGULAR ± 1 °		DRAWN BY: CHIRSCHY DATE: 2007/07/23		CHECKED BY: BRUSSELL DATE: 2007/07/23		APPROVED BY: MAHMOOD DATE: 2010/11/01																					
MATERIAL NO.						DOCUMENT NO.																								
SEE SHEET 3						SD-74750-0021																								
THIS DRAWING CONTAINS INFORMATION THAT IS PROPRIETARY TO MOLEX INCORPORATED AND SHOULD NOT BE USED WITHOUT WRITTEN PERMISSION										SHEET NO. 4 OF 8																				

PCB LAYOUT FOR BELLY-TO-BELLY APPLICATIONS



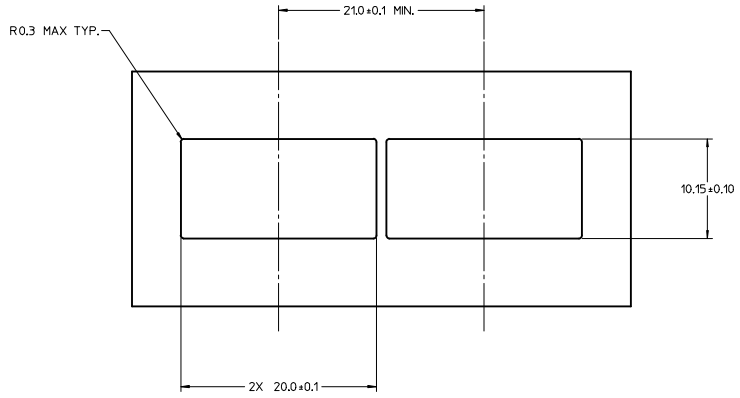
NOTE:
FOR RECOMENDED CENTER
OF LIGHT PIPES,
SEE SHEET 4

NOTES:

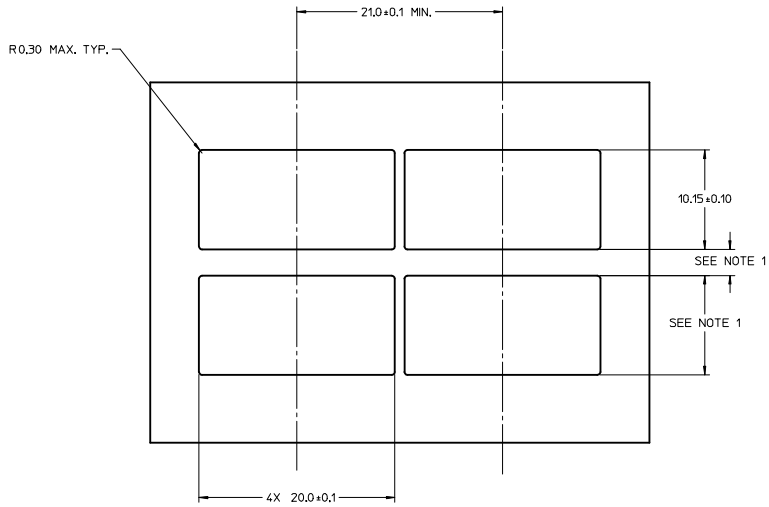
1. DATUM -A- IS TOP SURFACE OF HOST BOARD PER MSA.
2. FINISHED HOLE SIZE (AFTER PLATING).
3. DATUM -K- IS HOST BOARD THRU HOLE #1 TO ACCEPT CONNECTOR GUIDE POST PER MSA.
4. DATUM -L- IS HOST BOARD THRU HOLE #2 TO ACCEPT CONNECTOR GUIDE POST PER MSA.

SEE REVISION SHEET EEC NO: CPG2015-1999 DRAWN BY: ERWIN CHKD BY: GABRIELLA APPR: BREED DATE: 2014/10/13 DATE: 2014/10/17	QUALITY SYMBOLS ∇=0 ∇=0 ∇=0	GENERAL TOLERANCES (UNLESS SPECIFIED)		DIMENSION STYLE MM ONLY	SCALE 1:1	DESIGN UNITS METRIC	THIRD ANGLE PROJECTION	
		mm INCH	DRAWN BY CHIRSCHY	DATE 2007/07/23	TITLE QSFP+ CAGE ASSEMBLY WITH SPRING FINGERS DOCUMENT NO. SD-74750-0021			
		4 PLACES ± 0.13 ± 0.005	CHECKED BY BRUSSELL	DATE 2007/07/23				
		3 PLACES ± 0.13 ± 0.005	APPROVED BY RAHMOOD	DATE 2010/11/01				
2 PLACES ± 0.25 ± 0.005	MATERIAL NO. SEE SHEET 3		SHEET NO. 5 OF 8					
DRAFT WHERE APPLICABLE MUST REMAIN WITHIN DIMENSIONS		ANGULAR ± 1 °		THIS DRAWING CONTAINS INFORMATION THAT IS PROPRIETARY TO MOLEX INCORPORATED AND SHOULD NOT BE USED WITHOUT WRITTEN PERMISSION				

BEZEL AND BOARD POSITION DIMENSIONS
FOR SINGLE SIDE MOUNTING



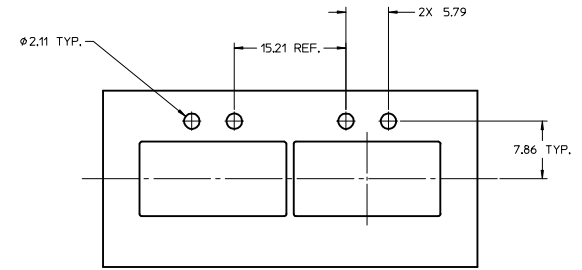
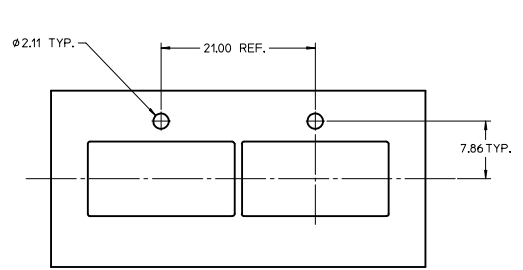
BEZEL AND BOARD POSITION DIMENSIONS
FOR BELLY-TO-BELLY MOUNTING



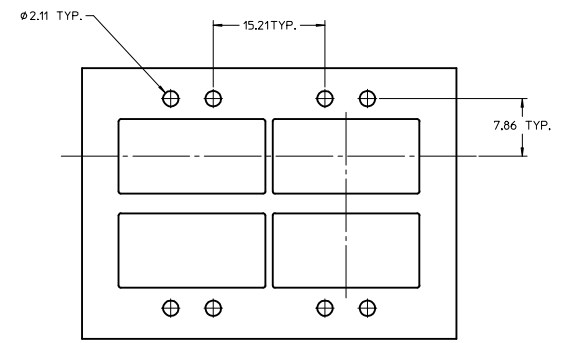
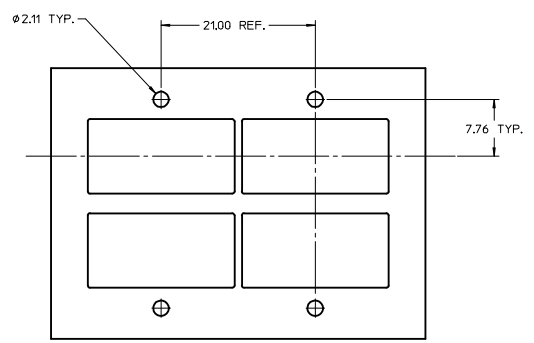
NOTE:
1. SEE QSFP MSA SPECIFICATION FOR BEZEL LOCATION TOLERANCE.
2. PCB THICKNESS VARIATION MUST BE CONSIDERED WHEN DETERMINING BEZEL OPENING, SIZE, AND LOCATION.

SEE REVISION SHEET IEC NO. CPG2015-1999 DRAWN BY: ERMIN 2014/10/13 CHECKED BY: GARDELLA 2014/10/13 APPR: BREED 2014/10/17	QUALITY SYMBOLS	GENERAL TOLERANCES (UNLESS SPECIFIED)	DIMENSION STYLE	SCALE	DESIGN UNITS	THIRD ANGLE PROJECTION	
	▽=0	mm INCH	MM ONLY	1:1	METRIC	☉	
	▽=0	4 PLACES ± --- ± ---	DRAWN BY DATE	CHIRSCHY 2007/07/23	TITLE		QSFP+ CAGE ASSEMBLY WITH SPRING FINGERS
	▽=0	3 PLACES ± 0.13 ± ---	CHECKED BY DATE	BRUSSELL 2007/07/23	APPROVED BY DATE		MAHMOOD 2010/11/01
	ANGULAR ± 1°	DRAFT WHERE APPLICABLE MUST REMAIN WITHIN DIMENSIONS	MATERIAL NO.	DOCUMENT NO.	SHEET NO.		
			SEE SHEET 3	SD-74750-0021	6 OF 8		
			THIS DRAWING CONTAINS INFORMATION THAT IS PROPRIETARY TO MOLEX INCORPORATED AND SHOULD NOT BE USED WITHOUT WRITTEN PERMISSION				

BEZEL LIGHT PIPE CUTOUT POSITION DIMENSIONS FOR SINGLE SIDE MOUNTING



BEZEL LIGHT PIPE CUTOUT POSITION DIMENSIONS FOR BELLY-TO-BELLY MOUNTING



SEE REVISION SHEET IEC NO. CPG2015-1999 DRAWN: LERMIN 2014/10/13 CHECKED: GARDELLA 2014/10/13 APPR: BREED 2014/10/17	QUALITY SYMBOLS ∇=0 ∇=0 ∇=0	GENERAL TOLERANCES (UNLESS SPECIFIED)		DIMENSION STYLE	SCALE	DESIGN UNITS	THIRD ANGLE PROJECTION		
				MM ONLY	3:1	METRIC			
				ANGULAR ± 1°	DRAWN BY DATE		TITLE QSFP+ CAGE ASSEMBLY WITH SPRING FINGERS		
				DRAFT WHERE APPLICABLE MUST REMAIN WITHIN DIMENSIONS	CHIRSCHY 2007/07/23 CHECKED BY DATE BRUSSELL 2007/07/23 APPROVED BY DATE RMAHMOOD 2010/11/01				
				MATERIAL NO.		DOCUMENT NO.			
				SEE SHEET 3		SD-74750-0021			
				SIZE		SHEET NO.			
				D THIS DRAWING CONTAINS INFORMATION THAT IS PROPRIETARY TO MOLEX INCORPORATED AND SHOULD NOT BE USED WITHOUT WRITTEN PERMISSION		7 OF 8			

DATE	REV	DESCRIPTION
2007/07/23	A	INITAL RELEASE
2007/08/06	B	CHANGED ALL TANGENT LINES FROM DASHED LINES TO SOLID LINES
2007/08/10	C	1. ADDED COMPONENT P/N COLUMN TO TABLE 2. ADDED 'COMPONENT' TO NOTE IN BOTTOM VIEW ON SHEET 1 3. CHANGED TEXT IN MATERIAL NO. SECTION OF TITLE BLOCK TO READ 'SEE TABLE'
2008/07/10	D	1. REMOVED COMMENTS FROM TABLE ON SHEET 1 2. ADDED 'HOLES OPTIONAL' NOTE TO PCB LAYOUT ON SHEET 2 AND SHEET 3 3. ADDED 747500024 TO TABLE ON SHEET 1 AS WELL AS ISO VIEW 4. UPDATED 'COMPONENT PART NUMBER AND DATE CODE' NOTE ON SHEET 1
2008/12/16	E	1. 20.4 DIMENSION WAS 20.38 REF. 2. 58.8 DIMENSION WAS 58.80 REF. 3. 2.28 TYP. DIMENSION WAS 2.28 REF. 4. 15.4 DIMENSION WAS 15.40 REF.
2009/04/13	F	1. REVISED COMPONENT P/N FOR MOLEX P/N 747500024 (CHANGED FROM 747540104 TO 747500104)
2010/10/29	G	1. 20.5 MAX DIMENSION WAS 20.4 2. 19.2 MAX DIMENSION WAS 16.2 MAX
2011/04/05	H	1. ADDED PRINTED DATE CODE TO LEFT SIDE OF CAGE AND ASSOCIATED NOTES. 2. ADDED CUTAWAY 1 AND CRITICAL TO FUNCTION DIMENSION 29.88 ±0.15, SHEET 1. 3. REMOVED 74750 FROM BOTTOM OF CAGE, SHEET 1. 4. UPDATED RoHS NOTE (NOTE 5) TO 'LEAD FREE, NO RoHS EXEMPTIONS' ON SHEET 1. 5. ADDED END VIEW, SHEET 1.
2012/04/13	I	1. ADDED 747500012 TO P/N TABLE, SHEET 1. 2. UPDATED BELLY-TO-BELLY CAGE VIEW, SHEET 3. 3. ADDED BELLY-TO-BELLY BEZEL AND DIMENSIONS, SHEET 3.
2013/01/10	J	1. ADDED 747500057 AND 747500058 INTO P/N TABLE, SHEET 3. 2. REARRANGE EACH SHEET
2013/04/09	K	1. ADDED P/N 747500062 TO CHART ON PAGE 3. 2. UPDATED DIMENSION 9.77 TO 9.76 BY CORRECTING PLACEMENT ON VIEWS SHEET 6.
2014/10/13	L	1. ADDED P/N 747501586 AND ISO VIEW TO SHEET 3.

SEE REVISION SHEET EEC NO: CPG2015-1999 DRAWN: ERWIN 2014/10/13 CHKD: GABRIELLA 2014/10/13 APPR: BREED 2014/10/17 REV:	QUALITY SYMBOLS ∇=0 ∇=0 ∇=0	GENERAL TOLERANCES (UNLESS SPECIFIED): mm INCH		DIMENSION STYLE MM ONLY	SCALE 1:1	DESIGN UNITS METRIC	THIRD ANGLE PROJECTION	
		4 PLACES ±--- ±--- 3 PLACES ±--- ±--- 2 PLACES ±0.13 ±--- 1 PLACE ±0.25 ±--- 0 PLACE ±--- ±---	DRAWN BY DATE CHIRSCHY 2007/07/23 CHECKED BY DATE BRUSSELL 2007/07/23 APPROVED BY DATE RMAHMOOD 2010/11/01	TITLE QSFP+ CAGE ASSEMBLY WITH SPRING FINGERS		MATERIAL NO. DOCUMENT NO. SEE SHEET 3 SD-74750-0021		SHEET NO. 8 OF 8
		ANGULAR ± 1 ° DRAFT WHERE APPLICABLE MUST REMAIN WITHIN DIMENSIONS		SIZE D		THIS DRAWING CONTAINS INFORMATION THAT IS PROPRIETARY TO MOLEX INCORPORATED AND SHOULD NOT BE USED WITHOUT WRITTEN PERMISSION		