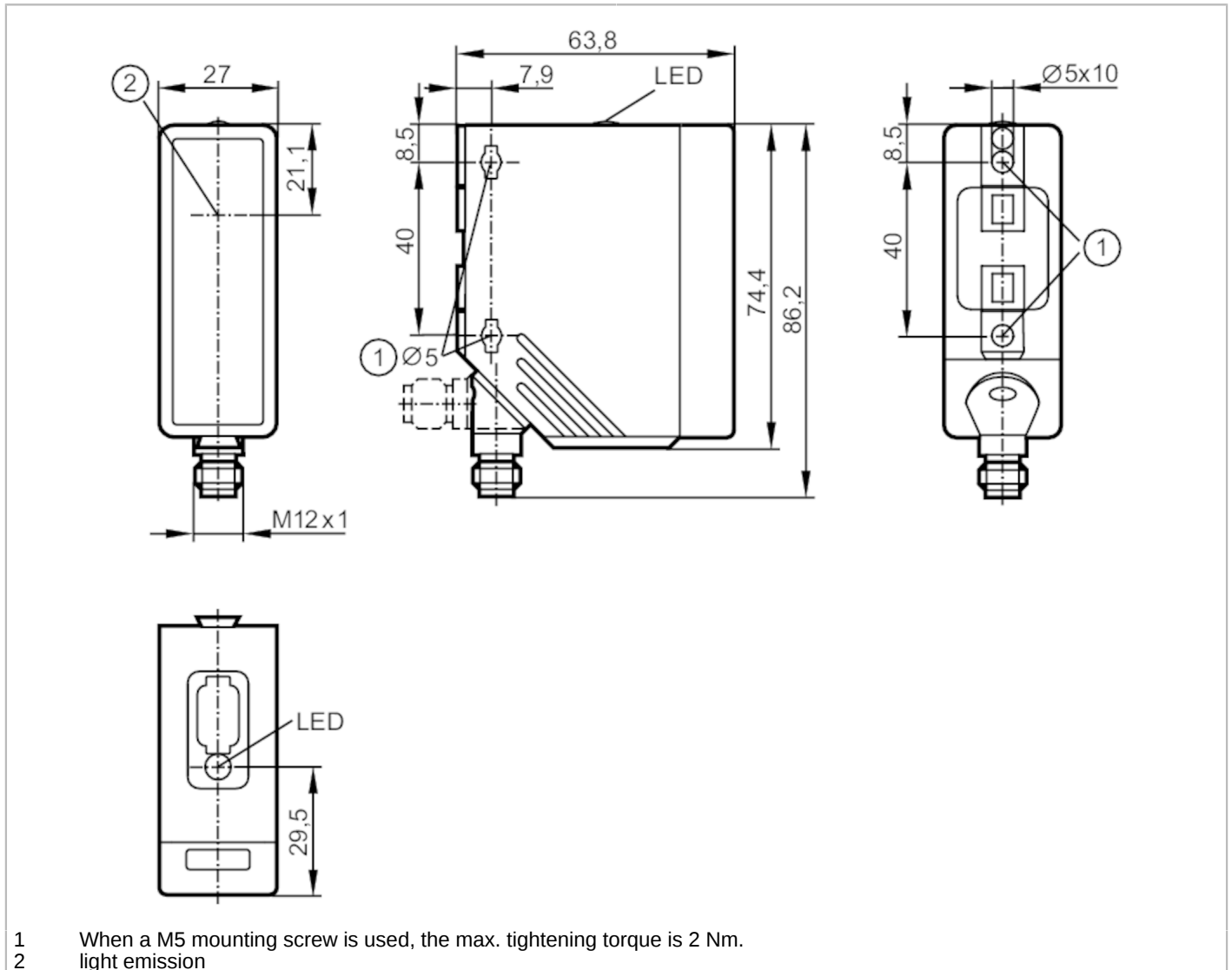


# O4S500



## Through-beam sensor transmitter

O4S-00KG/US100



Product characteristics	
Type of light	red light
Housing	rectangular
Application	
Function principle	Through-beam sensor
Electrical data	
Operating voltage [V]	10...36 DC; ("supply class 2" to cULus)
Current consumption [mA]	20
Protection class	II
Reverse polarity protection	yes
Type of light	red light
Wave length [nm]	624
Outputs	
Overload protection	yes

# O4S500



## Through-beam sensor transmitter

O4S-OOKG/US100

Detection zone	
Transmitter / receiver	transmitter
Range [m]	0...80
Range adjustable	no
Max. light spot diameter [mm]	2400
Light spot dimensions refer to	at maximum range

Operating conditions	
Ambient temperature [°C]	-25...60
Protection	IP 67

Tests / approvals	
EMC	EN 60947-5-2
MTTF [years]	616

Mechanical data	
Weight [g]	122
Housing	rectangular
Dimensions [mm]	74.4 x 27 x 63.8
Materials	housing: PA; bezel: stainless steel; operator interface: TPE
Lens material	PMMA
Lens alignment	side lens

Displays / operating elements	
Display	operation 1 x LED, green

Remarks	
Pack quantity	1 pcs.

### Electrical connection

Connector: 1 x M12; coding: A

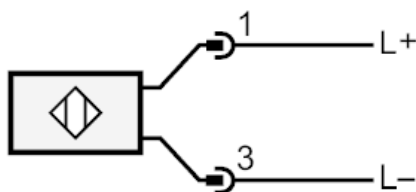




## Through-beam sensor transmitter

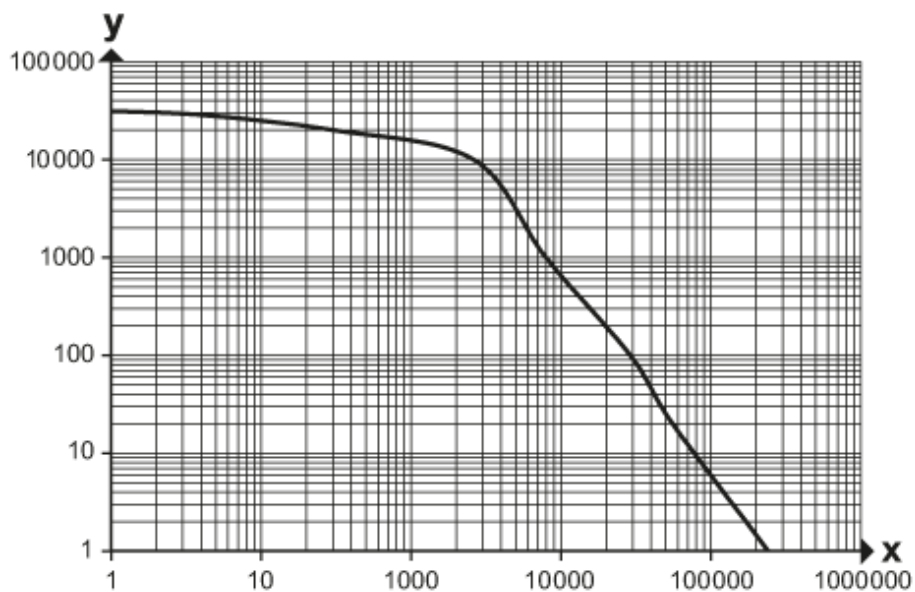
O4S-00KG/US100

### Connection



### Diagrams and graphs

excess gain graph



x: Abstand [mm]

y: Funktionsreservfaktor