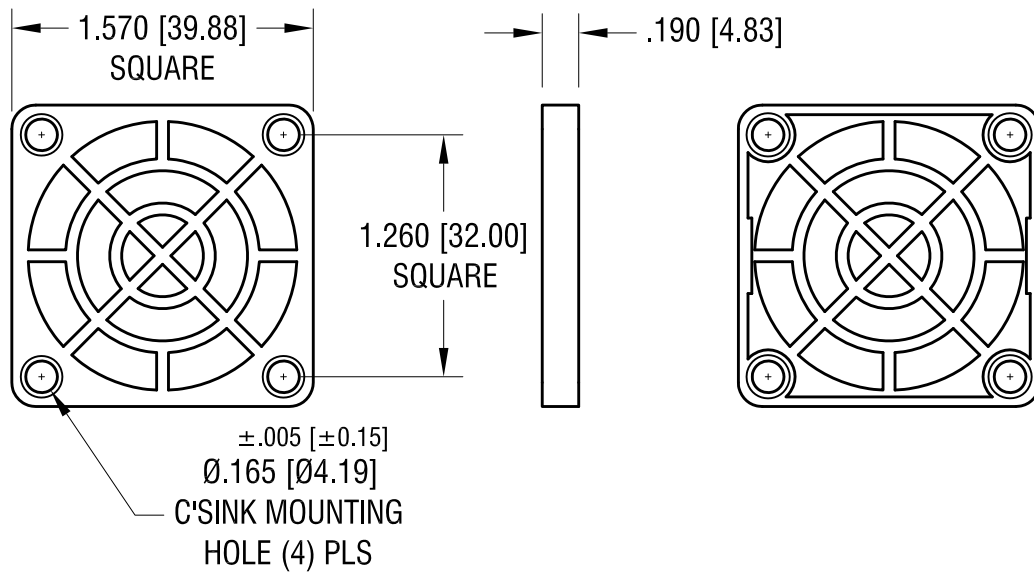
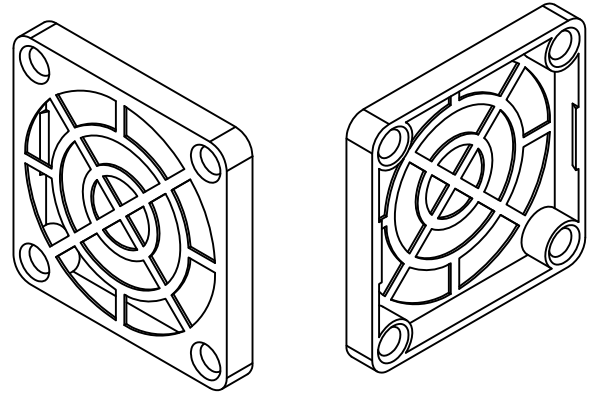


THIS DOCUMENT IS THE PROPERTY OF  
KEYSTONE ELECTRONICS CORP. AND  
SHALL NOT BE REPRODUCED, DISTRIBUTED  
OR USED AS A BASIS FOR MANUFACTURE  
WITHOUT PRIOR WRITTEN PERMISSION  
FROM KEYSTONE ELECTRONICS CORP.



### KEYSTONE ELECTRONICS CORP.

www.keyelco.com • ASTORIA, N.Y. 11105-2017 • Tel (718) 956-8900

PART NAME		MINI-FAN GUARD	
MATERIAL		ABS UL 94V-0	
FINISH	DRN BY	DATE	
-	BOONE	12.11.06	
	APP'D	SCALE	
		1X	
TOLERANCES	INCH	[MM]	CODE
DECIMAL	$\pm .020$	[ $\pm 0.50$ ]	C
ANGULAR	$\pm 1^\circ$		
UNLESS OTHERWISE SPECIFIED			DWG NO.
			8466

4.18.12	CHANGE AS PER ECN 12-050	A
DATE	DESCRIPTION	REV.