

4

3

2

1

THIS DRAWING IS UNPUBLISHED.

RELEASED FOR PUBLICATION

20

© COPYRIGHT 20

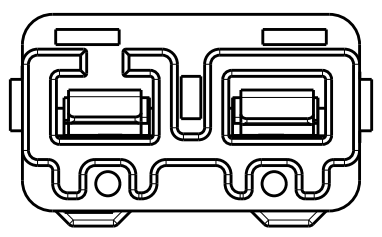
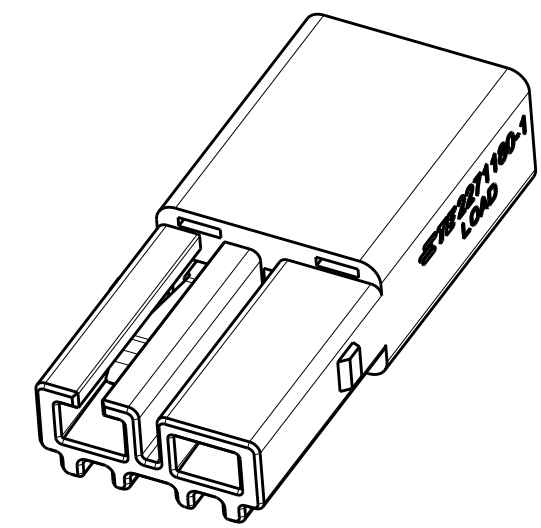
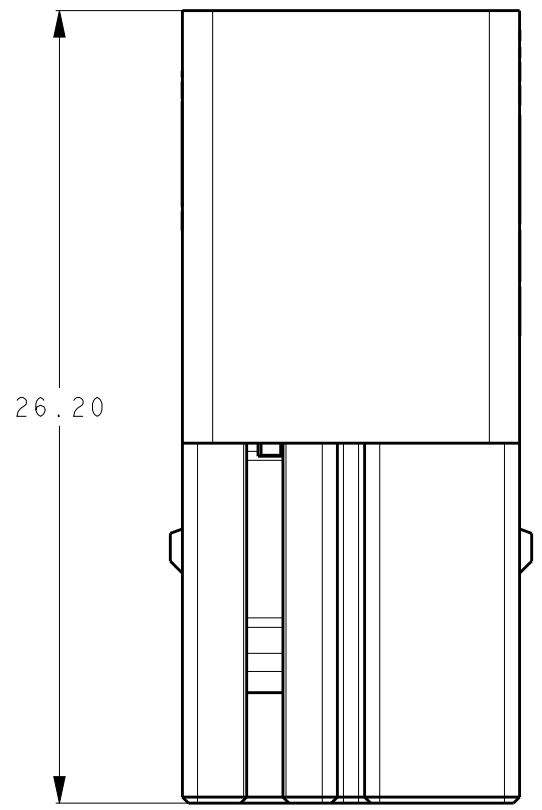
ALL RIGHTS RESERVED.

LOC
ES

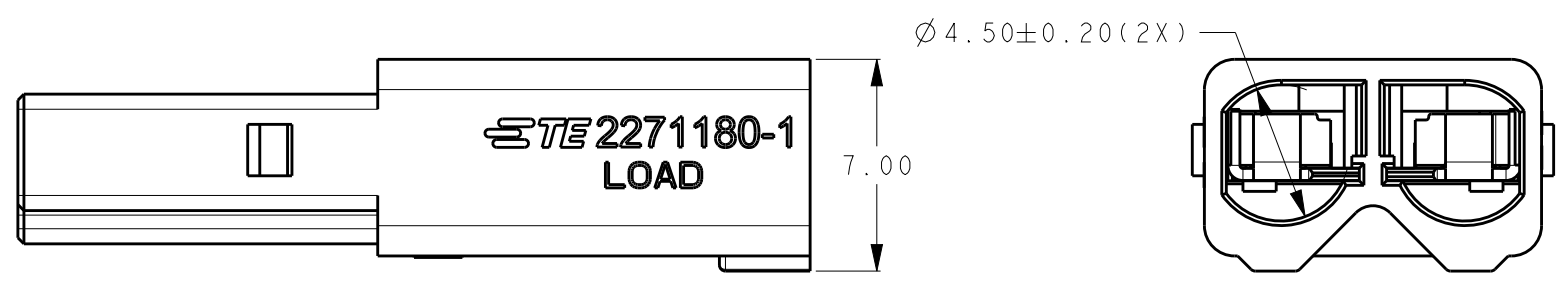
DIST

REVISIONS

P	LTR	DESCRIPTION	DATE	DWN	APVD
	C	ECR-18-020006	03APR2019	M.S	M.S
	D	ECR-19-010701	16AUG2019	M.S	M.S
	D1	ECR-19-013399	26DEC2019	F.F	M.S
	D2	ECO-20-009837	14JULY2020	W.Z	M.S



SCALE 4:1



PART NUMBER	PART COLOR
2271180-1	ORANGE
2271180-2	BLACK
2271180-3	WHITE (NATURAL)

NOTES:

- TE PART NUMBER: SEE TABLE.
- MATERIAL: NYLON, UL 94-V0. COLOR: ORANGE.
- FINISH: TIN PLATING OVERALL.
- APPLICABLE MATING RECEPTACLE: 2271183 SERIES.
- APPLICABLE WIRE: AWG18-22 SOLID OR TIN DIPPED STRANDED. (16 STRANDS MAX. FOR 18 AWG, 7 STRANDS MAX FOR 20-22 AWG. SEE RELATED APPLICATION SPECIFICATION AND PRODUCT SPECIFICATION) STRIP LENGTH: 9.0-9.6mm.
- PRODUCT COMPLIES TO UL 2459 REQUIREMENT AND QUALIFIED: ZMNA.E308110 ; ZMNA7.E308110

THIS DRAWING IS A CONTROLLED DOCUMENT.		DWN	26DEC2019	STE TE Connectivity			
		CHK	26DEC2019				
		APVD	26DEC2019				
		PRODUCT SPEC	108-137020				
		APPLICATION SPEC	114-137020	NAME PLUG 2 PIN WIRE TO WIRE CONNECTOR			
		WEIGHT	1.74g				
MATERIAL		FINISH	SIZE	CAGE CODE	DRAWING NO	RESTRICTED TO	
			A3	00779	C-2271180	-	
CUSTOMER DRAWING		SCALE	4:1	SHEET	1 OF 3	REV	D2

THIS DRAWING IS UNPUBLISHED.

RELEASED FOR PUBLICATION

20

© COPYRIGHT 20

ALL RIGHTS RESERVED.

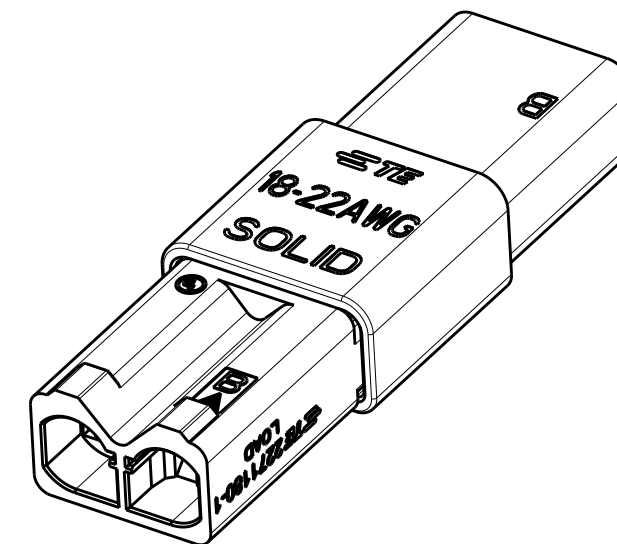
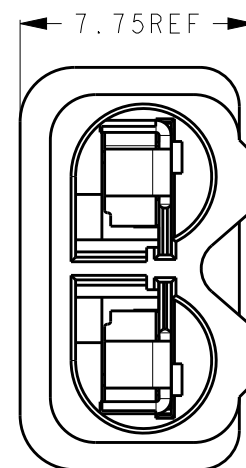
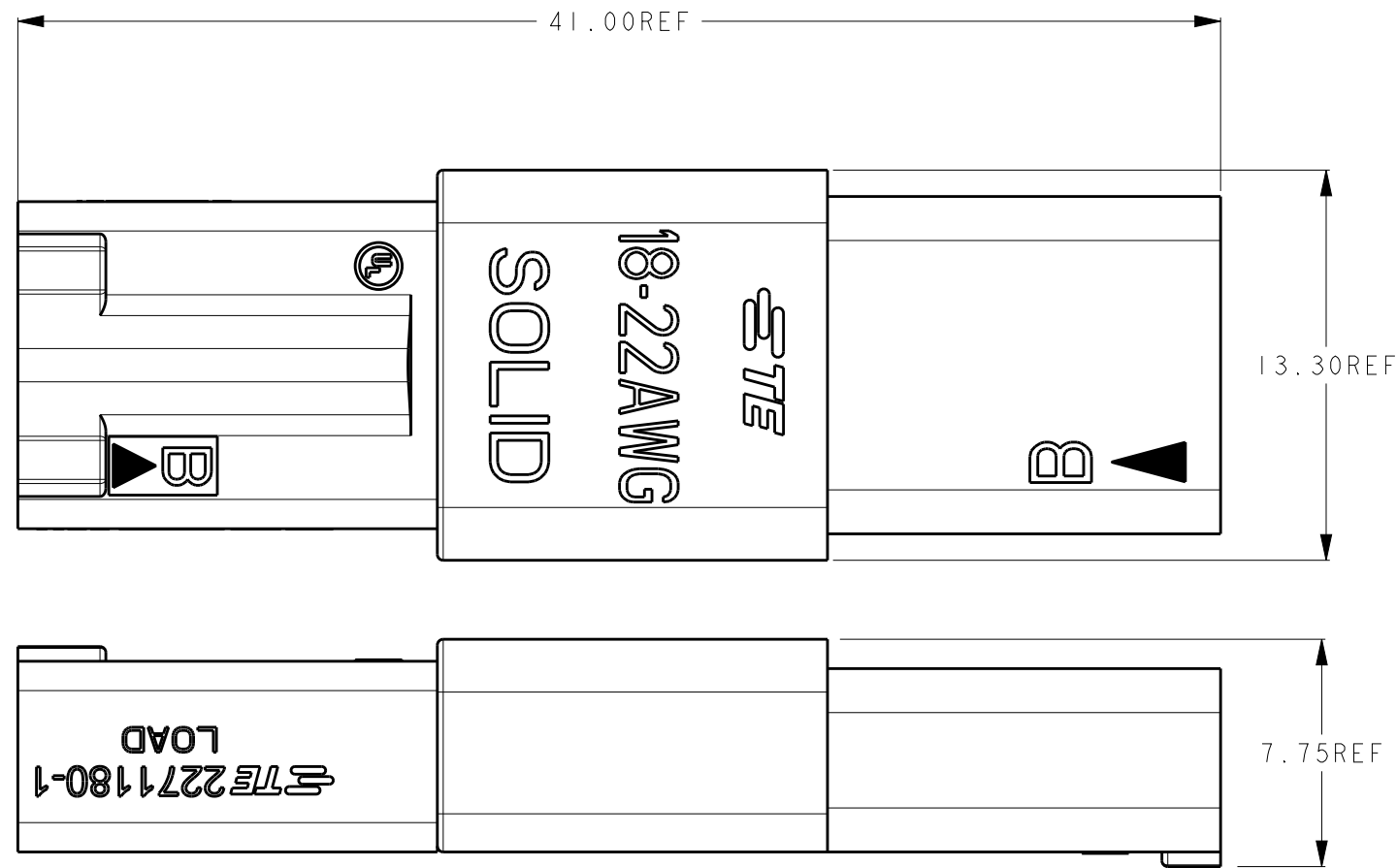
LOC
ES

DIST

REVISIONS

P	LTR	DESCRIPTION	DATE	DWN	APVD

MATED WITH RECEPTACLE



THIS DRAWING IS A CONTROLLED DOCUMENT.

DIMENSIONS:
mm



TOLERANCES UNLESS OTHERWISE SPECIFIED:
± 0.50

- 0-PLC ±
- 1-PLC ±
- 2-PLC ±
- 3-PLC ±
- 4-PLC ±
- ANGLES ±5°

MATERIAL

FINISH

DWN 26DEC2019
FRANK FAN
CHK 26DEC2019
GEORGE FU
APVD 26DEC2019
MING SHI

PRODUCT SPEC -
APPLICATION SPEC -
WEIGHT -
CUSTOMER DRAWING

STE TE Connectivity

PLUG
2 PIN WIRE TO WIRE CONNECTOR

SIZE	CAGE CODE	DRAWING NO	RESTRICTED TO
------	-----------	------------	---------------

A300779	C-2271180	-
---------	-----------	---

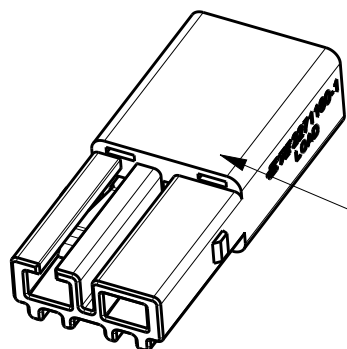
SCALE 4:1	SHEET 2 OF 3	REV D2
-----------	--------------	--------

LOC
ES

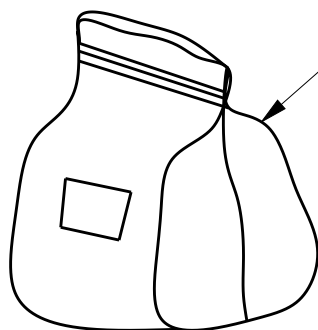
DIST

REVISIONS

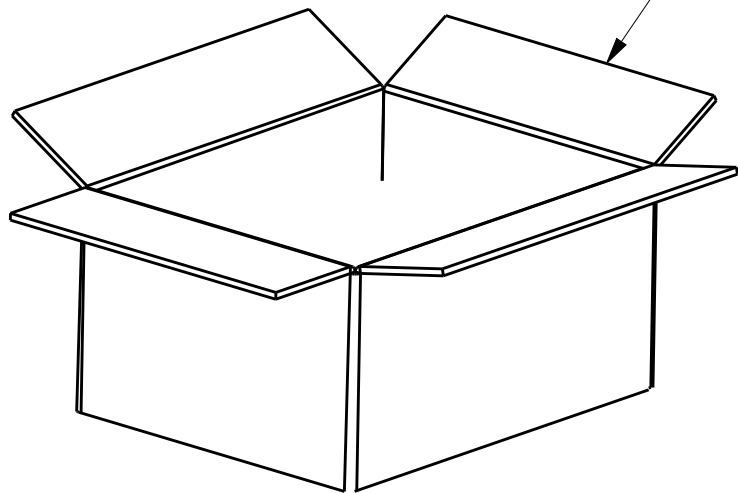
P	LTR	DESCRIPTION	DATE	DWN	APVD



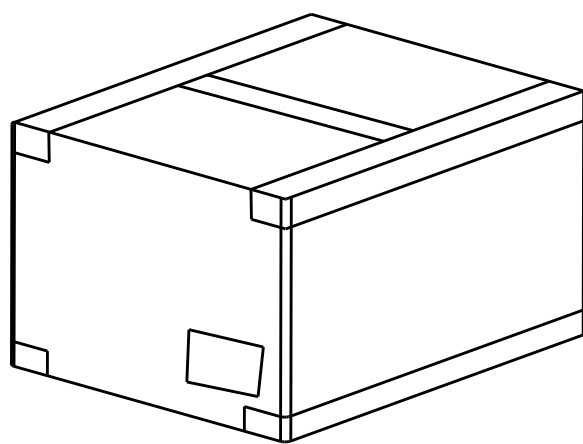
2271180-X



PLASTIC BAG



CARTON



NOTE:
1. PACKAGING QUANTITY: SEE TABLE.

PARTS PER BAG	BAGS PER CARTON	PARTS PER CARTON
500 PCS	8	4000 PCS

THIS DRAWING IS A CONTROLLED DOCUMENT.

DIMENSIONS: mm	TOLERANCES UNLESS OTHERWISE SPECIFIED: 0 PLC ± 1 PLC ±10 2 PLC ±5.0 3 PLC ± 4 PLC ± ANGLES ±5°
MATERIAL	FINISH

DWN	26DEC2019
CHK	FRANK FAN
APVD	26DEC2019
	GEORGE FU
	26DEC2019
	MING SHI
PRODUCT SPEC	-
APPLICATION SPEC	-
WEIGHT	-
CUSTOMER DRAWING	

STE TE Connectivity

PLUG
2 PIN WIRE TO WIRE CONNECTOR

NAME	SIZE	CAGE CODE	DRAWING NO	RESTRICTED TO
	A3	00779	C-2271180	-
SCALE 4:1			SHEET 3 OF 3	REV D2